



## DESADV D.01B out (Returns)

based on

### **DESADV**

Despatch advice message

### **EANCOM® 2002 S4; D.01B**

- **Message Description**
- **Branching Diagram**
- **Segment Details**
- **Example message**
- **List of changes**

Version 1.0  
Variant final  
Version date 11.04.2022

## Documentation conventions

### **Format**

as described in column "Format" of segment details

Character type:

a :alphabetic characters  
n :numeric characters  
an :alpha-numeric characters

### **Status indicators**

as described in column "St" of segment details

(R)equired

Indicates that the entity is required and must be sent. (This status is set by EANCOM®.)

(O)ptional

Indicates that the entity is conditional and may be sent at the discretion of the user.

(D)ependent

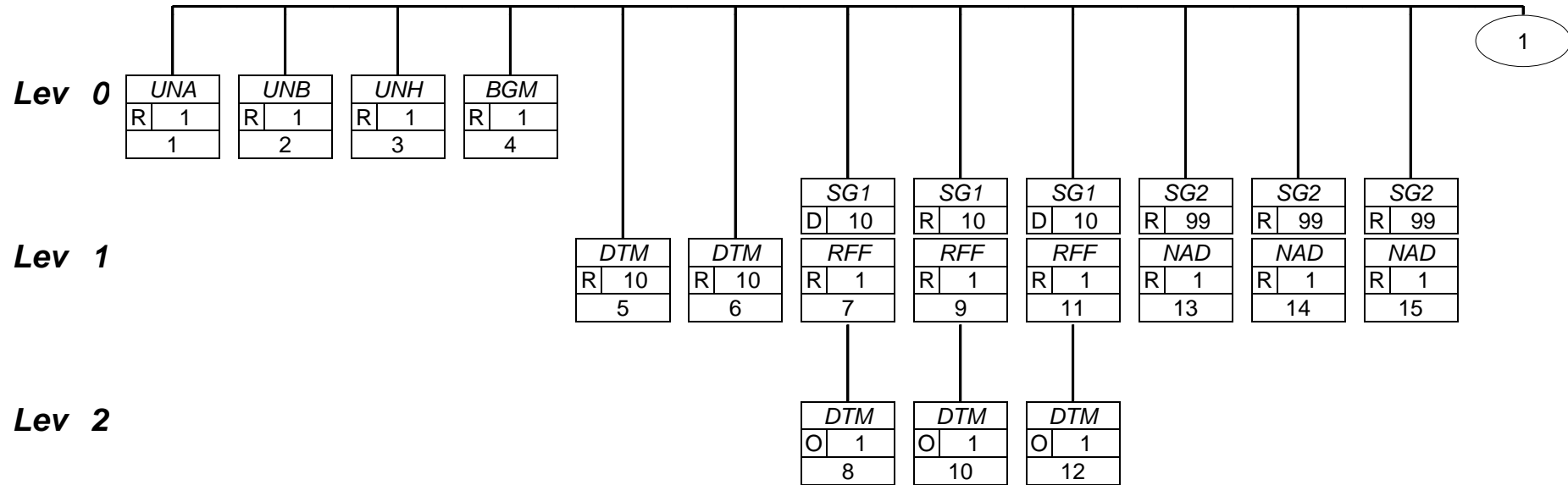
Indicates that the entity must be sent in certain conditions, as defined by the relevant explanatory note.

(N)ot used

Indicates that the entity is not used.

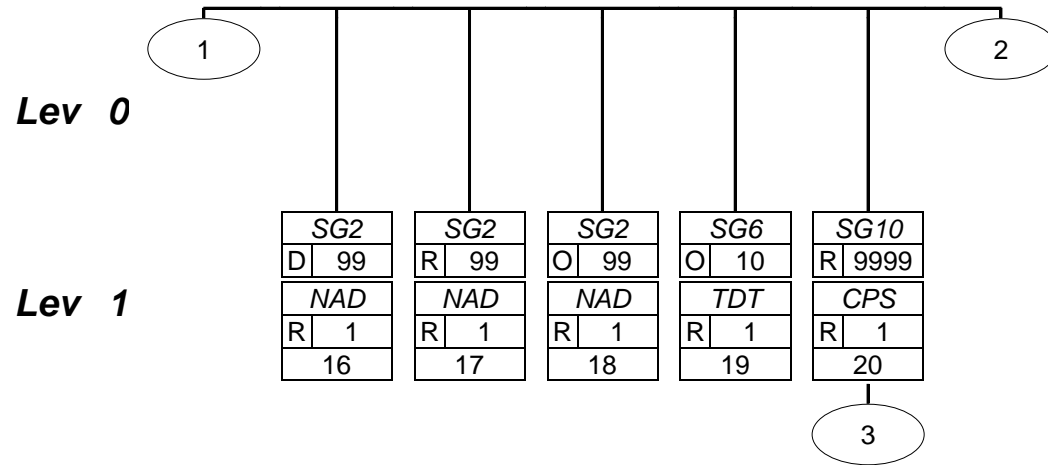
# DESADV D.01B out (Returns)

## Branching diagram



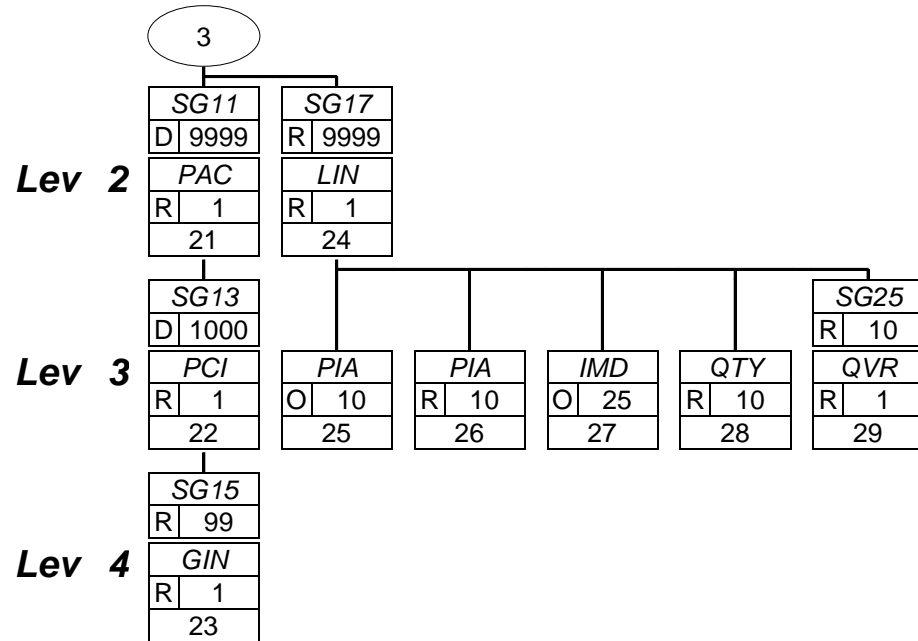
# DESADV D.01B out (Returns)

## Branching diagram



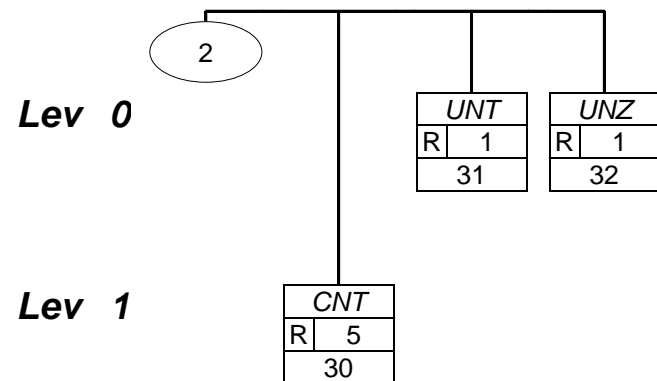
# DESADV D.01B out (Returns)

## Branching diagram



# DESADV D.01B out (Returns)

## Branching diagram



## Segments Layout

**Segment** **UNA**
 No.: 1      Level: 0  
 Status R      Max. occ.: 1

### Description      Service string advice

| Description                           | Manor | Example | Remarks  |
|---------------------------------------|-------|---------|--|
| UNA1 Component data element separator | R an1 | :       | Used as a separator between component data elements contained within a composite data element (value: ":" ). |
| UNA2 Data element separator           | R an1 | +       | Used to separate two simple or composite data elements (value: "+" ).  |
| UNA3 Decimal mark                     | R an1 | .       | Used to indicate the character used for decimal notation (value: "." ).                                      |
| UNA4 Release character                | R an1 | ?       | Used to restore any service character to its original specification (value: "?" ).                           |
| UNA5 Repetition separator             | R an1 | '       | Used to indicate the character used for repetition separation (value: "' " ).                                |
| UNA6 Segment terminator               | R an1 | '       | Used to indicate the end of segment data (value: "' ' " ).   |

This segment is used to inform the receiver of the interchange about the set of service characters (and decimal mark) which are being used. It must immediately precede the UNB segment and contains the five service characters (positions UNA1, UNA2, UNA3, UNA4, UNA5 and UNA6) selected by the interchange sender. When expressing the service characters in the UNA segment, it is not necessary to include any element separators. Within EANCOM®, using the default set of Service characters, the use of the UNA segment is not required.

**Example:**

UNA:+.? '

# DESADV D.01B out (Returns)

## Segments Layout

Segment **UNB** No.: 2 Level: 0  
Status R Max. occ.: 1

### Description Interchange header

| Description                                   | Manor    | Example        | Remarks  |
|---|----------|----------------|--|
| S001 Syntax identifier                        | R        |                |  |
| 0001 Syntax identifier                        | R a4     | +UNOC          | <b>UNOC</b> UN/ECE level C   |
| 0002 Syntax version number                    | R an1    | :4             | <b>4</b> Version 4<br>ISO 9735:1998.   |
| S002 Interchange sender                       | R        |                |  |
| 0004 Interchange sender identification        | R an..35 | +7612096000005 | Interchange sender identification<br>Manor GLN<br>7612096000005 = productive GLN<br>7612096000487 = test GLN<br>Format n13 |
| 0007 Identification code qualifier            | R an..4  | :14            | <b>14</b> GS1  |
| S003 Interchange recipient                    | R        |                |  |
| 0010 Interchange recipient identification     | R an..35 | +7699999999999 | Interchange recipient identification<br>usually GLN  |
| 0007 Identification code qualifier            | R an..4  | :14            | <b>14</b> GS1  |
| S004 Date and time of preparation             | R        |                |  |
| 0017 Date                                     | R n8     | +210823        | yyMMdd<br>Format n6  |
| 0019 Time                                     | R n4     | :0901          | hhmm   |
| 0020 Interchange control reference            | R an..14 | +1317          | Interchange reference  |
| S005 Recipient reference/<br>password details | N        |                |  |
| 0022 Recipient reference/<br>password         | N an..14 | +              |  |
| 0026 Application reference                    | N an..14 | +              |  |
| 0029 Processing priority code                 | N a1     | +              |  |
| 0031 Acknowledgement request                  | N n1     | +              |  |
| 0032 Interchange agreement<br>identifier      | N an..35 | +              |  |
| 0035 Test indicator                           | D n1     | +1'            | <b>1</b> Interchange is a test<br>Indicates that the interchange is a test.  |

This segment is used to envelope the interchange, as well as to identify both, the party to whom the interchange is sent and the party who has sent the interchange. The principle of the UNB segment is the same as a physical envelope which covers one or more letters or documents, and which details, both the address where delivery is to take place and the address from where the envelope has come.



# DESADV D.01B out (Returns)

## Segments Layout

**Example:**

UNB+UNOC:4+7612096000005:14+7699999999999:14+210823:0901+1317++++++1'

# DESADV D.01B out (Returns)

## Segments Layout

**Segment** **UNH** No.: 3 Level: 0  
Status R Max. occ.: 1

### Description Message header

| Description                    | Manor    | Example  | Remarks   |
|--------------------------------|----------|----------|---|
| 0062 Message reference number  | R an..14 | +1       | Senders unique message reference.                             |
| S009 Message identifier        | R        |          |   |
| 0065 Message type              | R an..6  | +DESADV  | <b>DESADV</b> Despatch advice message                         |
| 0052 Message version number    | R an..3  | :D       | <b>D</b> Draft version/UN/EDIFACT Directory                   |
| 0054 Message release number    | R an..3  | :01B     | <b>01B</b> Release 2001 - B                                   |
| 0051 Controlling agency, coded | R an..3  | :UN      | <b>UN</b> UN/CEFACT   |
| 0057 Association assigned code | R an..6  | :EAN005' | <b>EAN005</b> GS1 version control number (GS1 Permanent Code) |

This message is used to head, identify and specify a message.

DE's 0065, 0052, 0054 and 0051: Indicate that the message is a UNSM Receiving Advice based on the D.01B directory under the control of the United Nations

#### Example:

UNH+1+DESADV:D:01B:UN:EAN005'

# DESADV D.01B out (Returns)

## Segments Layout

**Segment** **BGM** No.: 4 Level: 0  
Status R Max. occ.: 1

### Description Beginning of message

| Description                          | Manor    | Example      | Remarks  |
|--------------------------------------|----------|--------------|--|
| C002 Document/message name           | R        |              |  |
| 1001 Document name code              | R an..3  | +35E         | <b>35E</b> Returns advice (GS1 Temporary Code)         |
| C106 Document/message identification | R        |              |  |
| 1004 Document identifier             | R an..35 | +ODE00030049 | Returns Advice number assigned by the document sender. |
| 1225 Message function code           | R an..3  | +9'          | <b>9</b> Original                                      |

This segment is used to indicate the type and function of the message and to transmit the identifying number.

All references other than the document number DE 1004 are to be put in the RFF segment.

DE 1004: It is recommended that the length of the document number be restricted to a maximum of 17 characters.

#### Example:

BGM+35E+ODE00030049+9'

# DESADV D.01B out (Returns)

## Segments Layout

**Segment** **DTM** No.: 5 Level: 1  
Status R Max. occ.: 10

**Description Date/time/period**

| Description  | Manor    | Example       | Remarks  |
|--|----------|---------------|--|
| C507 Date/time/period                                  | R        |               |  |
| 2005 Date or time or period<br>function code qualifier | R an..3  | +137          | <b>137</b> Document/message date/time  |
| 2380 Date or time or period<br>value                   | R an..35 | :202108230850 | Document/message date/time   |
| 2379 Date or time or period<br>format code             | R an..3  | :203'         | <b>203</b> CCYYMMDDHHMM<br>Calendar date including time with<br>minutes: C=Century |

This segment is used to specify the date of the Despatch Advice or any dates related to the delivery of goods.

DE 2005: Identification of the 'Document/message date/time' (code value 137) is mandatory in the despatch advice.

**Example:**

DTM+137:202108230850:203'

# DESADV D.01B out (Returns)

## Segments Layout

**Segment** **DTM** No.: 6 Level: 1  
Status R Max. occ.: 10

### Description Date/time/period

| Description  | Manor    | Example       | Remarks                             |
|--|----------|---------------|-------------------------------------|
| C507 Date/time/period                                  | R        |               |                                     |
| 2005 Date or time or period<br>function code qualifier | R an..3  | +11           | <b>11</b> Despatch date and/or time |
| 2380 Date or time or period<br>value                   | R an..35 | :202109010000 | Despatch date and/or time           |
| 2379 Date or time or period<br>format code             | R an..3  | :203'         | <b>203</b> CCYYMMDDHHMM             |

This segment is used to specify the date of the Despatch Advice or any dates related to the delivery of goods.

DE 2005: Identification of the 'Document/message date/time' (code value 137) is mandatory in the despatch advice.

**Example:**

DTM+11:202109010000:203'

# DESADV D.01B out (Returns)

## Segments Layout

**Group** **SG1** Status D Max. occ.: 10 RFF+ON Order number (buyer)

**Segment** **RFF** No.: 7 Level: 1  
Status R Max. occ.: 1

### Description Reference

| Description                   | Manor    | Example      | Remarks                        |
|-------------------------------|----------|--------------|--------------------------------|
| C506 Reference                | R        |              |                                |
| 1153 Reference code qualifier | R an..3  | +ON          | <b>ON</b> Order number (buyer) |
| 1154 Reference identifier     | R an..70 | :P008429444' | Order number (buyer)           |

This segment is used to provide references that apply to the whole transaction.

**Example:**

RFF+ON:P008429444'

# DESADV D.01B out (Returns)

## Segments Layout

**Group** **SG1** Status D Max. occ.: 10 RFF+ON Order number (buyer)

**Segment** **DTM** No.: 8 Level: 2  
Status O Max. occ.: 1

### Description Date/time/period

| Description  | Manor    | Example   | Remarks                        |
|--|----------|-----------|--------------------------------|
| C507 Date/time/period                                  | R        |           |                                |
| 2005 Date or time or period<br>function code qualifier | R an..3  | +171      | <b>171</b> Reference date/time |
| 2380 Date or time or period<br>value                   | R an..35 | :20210820 | Reference date/time            |
| 2379 Date or time or period<br>format code             | R an..3  | :102'     | <b>102</b> CCYYMMDD            |

This segment is used to specify dates relating to the references given in the previous RFF segment.

**Example:**

DTM+171:20210820:102'

# DESADV D.01B out (Returns)

## Segments Layout

**Group** **SG1** Status R Max. occ.: 10 RFF+AAK Despatch advice number

**Segment** **RFF** No.: 9 Level: 1  
Status R Max. occ.: 1

### Description Reference

| Description                   | Manor    | Example        | Remarks                           |
|-------------------------------|----------|----------------|-----------------------------------|
| C506 Reference                | R        |                |                                   |
| 1153 Reference code qualifier | R an..3  | +AAK           | <b>AAK</b> Despatch advice number |
| 1154 Reference identifier     | R an..70 | :L023675512_1' | Despatch advice number            |

This segment is used to provide references that apply to the whole transaction.

**Example:**

RFF+AAK:L023675512\_1'



# DESADV D.01B out (Returns)

## Segments Layout

**Group** **SG1** Status R Max. occ.: 10 RFF+AAK Despatch advice number

**Segment** **DTM** No.: 10 Level: 2  
Status O Max. occ.: 1

### Description Date/time/period

| Description  | Manor    | Example   | Remarks                        |
|--|----------|-----------|--------------------------------|
| C507 Date/time/period                                  | R        |           |                                |
| 2005 Date or time or period<br>function code qualifier | R an..3  | +171      | <b>171</b> Reference date/time |
| 2380 Date or time or period<br>value                   | R an..35 | :20210820 | Reference date/time            |
| 2379 Date or time or period<br>format code             | R an..3  | :102'     | <b>102</b> CCYYMMDD            |

This segment is used to specify dates relating to the references given in the previous RFF segment.

**Example:**

DTM+171:20210820:102'

# DESADV D.01B out (Returns)

## Segments Layout

**Group** **SG1** Status D Max. occ.: 10 RFF+VN Order number (Supplier)

**Segment** **RFF** No.: 11 Level: 1  
Status R Max. occ.: 1

### Description Reference

| Description                   | Manor    | Example   | Remarks  |
|-------------------------------|----------|-----------|--|
| C506 Reference                | R        |           |  |
| 1153 Reference code qualifier | R an..3  | +VN       | <b>VN</b> Order number (supplier)<br>Reference number assigned by supplier<br>to a buyer's purchase order. |
| 1154 Reference identifier     | R an..70 | :1658485' | Order number (Supplier)  |

This segment is used to provide references that apply to the whole transaction.

**Example:**

RFF+VN:1658485'

# DESADV D.01B out (Returns)

## Segments Layout

**Group** **SG1** Status D Max. occ.: 10 RFF+VN Order number (Supplier)

**Segment** **DTM** No.: 12 Level: 2  
Status O Max. occ.: 1

### Description Date/time/period

| Description  | Manor    | Example   | Remarks                        |
|--|----------|-----------|--------------------------------|
| C507 Date/time/period                                  | R        |           |                                |
| 2005 Date or time or period<br>function code qualifier | R an..3  | +171      | <b>171</b> Reference date/time |
| 2380 Date or time or period<br>value                   | R an..35 | :20210820 | Reference date/time            |
| 2379 Date or time or period<br>format code             | R an..3  | :102'     | <b>102</b> CCYYMMDD            |

This segment is used to specify dates relating to the references given in the previous RFF segment.

**Example:**

DTM+171:20210820:102'

# DESADV D.01B out (Returns)

## Segments Layout

**Group** **SG2** Status R Max. occ.: 99 NAD+BY Buyer

**Segment** **NAD** No.: 13 Level: 1  
Status R Max. occ.: 1

### Description Name and address

| Description                            | Manor    | Example        | Remarks          |
|--|----------|----------------|------------------|
| 3035 Party function code qualifier     | R an..3  | +BY            | <b>BY</b> Buyer  |
| C082 Party identification details      | R        |                |                  |
| 3039 Party identifier                  | R an..35 | +7612096831548 | GLN of the Party |
| 1131 Code list identification code     | N an..17 | :              |                  |
| 3055 Code list responsible agency code | R an..3  | :9'            | <b>9</b> GS1     |

This segment is used to identify the trading partners involved in the Despatch Advice message.

Identification of the

supplier and buyer is mandatory in the Despatch Advice. Identification of the shipper and delivery party is recommended, when different from the supplier or buyer.

If coded address information can not be used it is recommended to use a structured address (C080 through 3207).

DE 3039: For identification of parties it is recommended to use EAN location numbers.

**Example:**

NAD+BY+7612096831548::9'

# DESADV D.01B out (Returns)

## Segments Layout

**Group** **SG2** Status R Max. occ.: 99 NAD+SU Supplier

**Segment** **NAD** No.: 14 Level: 1  
Status R Max. occ.: 1

### Description Name and address

| Description                               | Manor    | Example        | Remarks            |
|---|----------|----------------|--------------------|
| 3035 Party function code<br>qualifier     | R an..3  | +SU            | <b>SU</b> Supplier |
| C082 Party identification details         | R        |                |                    |
| 3039 Party identifier                     | R an..35 | +3012536300100 | GLN of the Party   |
| 1131 Code list identification code        | N an..17 | :              |                    |
| 3055 Code list responsible<br>agency code | R an..3  | :9'            | <b>9</b> GS1       |

This segment is used to identify the trading partners involved in the Despatch Advice message.

Identification of the

supplier and buyer is mandatory in the Despatch Advice. Identification of the shipper and delivery party is recommended, when different from the supplier or buyer.

If coded address information can not be used it is recommended to use a structured address (C080 through 3207).

DE 3039: For identification of parties it is recommended to use EAN location numbers.

#### Example:

NAD+SU+3012536300100::9'

## Segments Layout

**Group** **SG2** Status R Max. occ.: 99 NAD+PW Despatch party

**Segment** **NAD** No.: 15 Level: 1  
Status R Max. occ.: 1

### Description Name and address

| Description                               | Manor    | Example        | Remarks                  |
|---|----------|----------------|--------------------------|
| 3035 Party function code<br>qualifier     | R an..3  | +PW            | <b>PW</b> Despatch party |
| C082 Party identification details         | R        |                |                          |
| 3039 Party identifier                     | R an..35 | +3012536300100 | GLN of the Party         |
| 1131 Code list identification code        | N an..17 | :              |                          |
| 3055 Code list responsible<br>agency code | R an..3  | :9'            | <b>9</b> GS1             |

This segment is used to identify the trading partners involved in the Despatch Advice message.

Identification of the

supplier and buyer is mandatory in the Despatch Advice. Identification of the shipper and delivery party is recommended, when different from the supplier or buyer.

If coded address information can not be used it is recommended to use a structured address (C080 through 3207).

DE 3039: For identification of parties it is recommended to use EAN location numbers.

#### Example:

NAD+PW+3012536300100::9'

# DESADV D.01B out (Returns)

## Segments Layout

**Group** **SG2** Status D Max. occ.: 99 NAD+UC Ultimate consignee

**Segment** **NAD** No.: 16 Level: 1  
Status R Max. occ.: 1

### Description Name and address

| Description                               | Manor    | Example        | Remarks  |
|---|----------|----------------|--|
| 3035 Party function code<br>qualifier     | R an..3  | +UC            | <b>UC</b> Ultimate consignee<br>Party who has been designated on the<br>invoice or packing list as the final<br>recipient of the stated merchandise. |
| C082 Party identification details         | R        |                |  |
| 3039 Party identifier                     | R an..35 | +3012536300100 | GLN of the Party   |
| 1131 Code list identification code        | N an..17 | :              |  |
| 3055 Code list responsible<br>agency code | R an..3  | :9'            | <b>9</b> GS1<br>GS1 (formerly EAN International), an<br>organisation of GS1 Member<br>Organisations, which manages the GS1<br>System.                |

This segment is used to identify the trading partners involved in the Despatch Advice message.

Identification of the

supplier and buyer is mandatory in the Despatch Advice. Identification of the shipper and delivery party is recommended, when different from the supplier or buyer.

If coded address information can not be used it is recommended to use a structured address (C080 through 3207).

DE 3039: For identification of parties it is recommended to use EAN location numbers.

#### Example:

NAD+UC+3012536300100::9'

# DESADV D.01B out (Returns)

## Segments Layout

**Group** **SG2** Status R Max. occ.: 99 NAD+BE Beneficiary

**Segment** **NAD** No.: 17 Level: 1  
Status R Max. occ.: 1

### Description Name and address

| Description                               | Manor    | Example        | Remarks               |
|---|----------|----------------|-----------------------|
| 3035 Party function code<br>qualifier     | R an..3  | +BE            | <b>BE</b> Beneficiary |
| C082 Party identification details         | R        |                |                       |
| 3039 Party identifier                     | R an..35 | +7612096830947 | GLN of the Party      |
| 1131 Code list identification code        | N an..17 | :              |                       |
| 3055 Code list responsible<br>agency code | R an..3  | :9'            | <b>9</b> GS1          |

This segment is used to identify the trading partners involved in the Despatch Advice message.

Identification of the

supplier and buyer is mandatory in the Despatch Advice. Identification of the shipper and delivery party is recommended, when different from the supplier or buyer.

If coded address information can not be used it is recommended to use a structured address (C080 through 3207).

DE 3039: For identification of parties it is recommended to use EAN location numbers.

#### Example:

NAD+BE+7612096830947::9'



# DESADV D.01B out (Returns)

## Segments Layout

**Group** **SG2** Status O Max. occ.: 99 NAD+FW Freight forwarder

**Segment** **NAD** No.: 18 Level: 1  
Status R Max. occ.: 1

### Description Name and address

| Description                               | Manor    | Example        | Remarks   |
|---|----------|----------------|---|
| 3035 Party function code<br>qualifier     | R an..3  | +FW            | <b>FW</b> Freight forwarder<br>Party arranging forwarding of goods. |
| C082 Party identification details         | R        |                |   |
| 3039 Party identifier                     | R an..35 | +7612096830947 | GLN of the Party  |
| 1131 Code list identification code        | N an..17 | :              |   |
| 3055 Code list responsible<br>agency code | R an..3  | :9'            | <b>9</b> GS1  |

This segment is used to identify the trading partners involved in the Despatch Advice message.

Identification of the

supplier and buyer is mandatory in the Despatch Advice. Identification of the shipper and delivery party is recommended, when different from the supplier or buyer.

If coded address information can not be used it is recommended to use a structured address (C080 through 3207).

DE 3039: For identification of parties it is recommended to use EAN location numbers.

#### Example:

NAD+FW+7612096830947::9'

# DESADV D.01B out (Returns)

## Segments Layout

**Group** **SG6** Status O Max. occ.: 10 TDT

**Segment** **TDT** No.: 19 Level: 1  
Status R Max. occ.: 1

### Description Details of transport

| Description                                   | Manor    | Example | Remarks  |
|---|----------|---------|--|
| 8051 Transport stage code<br>qualifier        | R an..3  | +20     | <b>20</b> Main-carriage transport  |
| 8028 Means of transport journey<br>identifier | N an..17 | +       |  |
| C220 Mode of transport                        | R        |         |  |
| 8067 Transport mode name<br>code              | R an..3  | +30'    | <b>10</b> Maritime transport<br>This code should be used whenever the<br>transport vehicle completes any part of<br>ist journey by sea.<br><b>20</b> Rail transport<br><b>30</b> Road transport<br><b>40</b> Air transport<br><b>60</b> Multimodal transport<br>This code is used when goods are<br>carried to their destination by at least two<br>different modes on the basis of one<br>transport contract. (Local pick-up and<br>delivery of goods out in the performance<br>of a unimodal transport contract shall not<br>be considered as multimodal transport.) |

This segment is used to specify transport services used in the despatch advice.

**Example:**

TDT+20++30'

## Segments Layout

**Group** **SG10** Status R Max. occ.: 9999 CPS-SG11-SG17

**Segment** **CPS** No.: 20 Level: 1  
Status R Max. occ.: 1

### Description Consignment packing sequence

| Description                                   | Manor    | Example | Remarks   |
|---|----------|---------|---|
| 7164 Hierarchical structure level identifier  | R an..35 | +1      | Sequential numbering recommended. When not identifying different shipment hierarchical levels within the Receiving Advice, it is recommended to use a default value of 1. |
| 7166 Hierarchical structure parent identifier | D an..35 | +1'     | Identification number of the next higher hierarchical data segment in a hierarchical structure.   |

This segment is used to identify the sequence in which packing of the consignment occurs.

#### Example:

CPS+1' - for despatch level (required)

CPS+2+1' - for first transport unit level

CPS+3+2' - for second transport unit level

# DESADV D.01B out (Returns)

## Segments Layout

|                |             |                     |                          |               |
|----------------|-------------|---------------------|--------------------------|---------------|
| <b>Group</b>   | <b>SG10</b> | Status R            | Max. occ.: 9999          | CPS-SG11-SG17 |
| <b>Group</b>   | <b>SG11</b> | Status D            | Max. occ.: 9999          | PAC-SG13      |
| <b>Segment</b> | <b>PAC</b>  | No.: 21<br>Status R | Level: 2<br>Max. occ.: 1 |               |

### Description Package

| Description                        | Manor    | Example | Remarks   |
|------------------------------------|----------|---------|---|
| 7224 Package quantity              | R n..8   | +1      | In the "advice discrepancies" scenario this data element should be used when quantity variances at the package level have to be reported and carry the number of packages that were actually received. In the "confirmation of receipt of goods" scenario, this data element may carry the number of packages that were received. |
| C531 Packaging details             | N        |         |   |
| 7075 Packaging level code          | N an..3  | +       |   |
| C202 Package type                  | O        |         |   |
| 7065 Package type description code | R an..17 | +CT'    | All codes of codeliste 7065 may be used<br><b>201</b> Pallet ISO 1 - 1/1 EURO Pallet (EAN Code)<br><b>09</b> Returnable pallet (EAN Code)<br><b>PK</b> Package<br><b>SL</b> Slipsheet<br><b>CT</b> Carton<br><b>BX</b> Box<br><b>08</b> Oneway pallet (EAN Code)  |

This segment can be used to identify the total number of packages per hierarchical level identified in the CPS segment, in a shipment. The contents of each package is subsequently described in the following LIN segment.

**Example:**  
PAC+1++CT'

# DESADV D.01B out (Returns)

## Segments Layout

|                |             |                     |                          |               |
|----------------|-------------|---------------------|--------------------------|---------------|
| <b>Group</b>   | <b>SG10</b> | Status R            | Max. occ.: 9999          | CPS-SG11-SG17 |
| <b>Group</b>   | <b>SG11</b> | Status D            | Max. occ.: 9999          | PAC-SG13      |
| <b>Group</b>   | <b>SG13</b> | Status D            | Max. occ.: 1000          | PCI-SG15      |
| <b>Segment</b> | <b>PCI</b>  | No.: 22<br>Status R | Level: 3<br>Max. occ.: 1 |               |

### Description      Package identification

| Description                    | Manor   | Example | Remarks  |
|--------------------------------|---------|---------|--|
| 4233 Marking instructions code | R an..3 | +33E'   | <b>33E</b> Marked with serial shipping container code (GS1 Temporary Code) |

This segment is used to provide markings and labels information relevant to the packaging unit and level identified in the PAC segment.

**Example:**  
PCI+33E'

## Segments Layout

|                |             |                     |                          |               |
|----------------|-------------|---------------------|--------------------------|---------------|
| <b>Group</b>   | <b>SG10</b> | Status R            | Max. occ.: 9999          | CPS-SG11-SG17 |
| <b>Group</b>   | <b>SG11</b> | Status D            | Max. occ.: 9999          | PAC-SG13      |
| <b>Group</b>   | <b>SG13</b> | Status D            | Max. occ.: 1000          | PCI-SG15      |
| <b>Group</b>   | <b>SG15</b> | Status R            | Max. occ.: 99            | GIN           |
| <b>Segment</b> | <b>GIN</b>  | No.: 23<br>Status R | Level: 4<br>Max. occ.: 1 |               |

### Description Goods identity number

| Description                                  | Manor    | Example                  | Remarks                                  |
|--|----------|--------------------------|--|
| 7405 Object identification code<br>qualifier | R an..3  | +BJ                      | <b>BJ</b> Serial shipping container code |
| C208 Identity number range                   | R        |                          |  |
| 7402 Object identifier                       | R an..35 | +37612096001435<br>6403' | Serial Shipping Container Code           |

This segment is used to provide identification numbers relevant to the packaging unit and level identified in the PAC segment.

In EANCOM it is recommended to use the Serial Shipping Container Code (SSCC) for unique identification of individual transport packages.

**Example:**

GIN+BJ+376120960014356403'

# DESADV D.01B out (Returns)

## Segments Layout

**Group** **SG10** Status R Max. occ.: 9999 CPS-SG11-SG17

**Group** **SG17** Status R Max. occ.: 9999 LIN-PIA-IMD-QTY-SG25

**Segment** **LIN** No.: 24 Level: 2  
Status R Max. occ.: 1

### Description Line item

| Description                                       | Manor    | Example        | Remarks   |
|---|----------|----------------|---|
| 1082 Line item identifier                         | R an..6  | +1             | Application generated number of the item lines within the Despatch Advice.                            |
| 1229 Action request/notification description code | N an..3  | +              |   |
| C212 Item number identification                   | D        |                | EAN-8, UPC-A, EAN-13, or DUN-14 - this is the number of the article being despatched.                 |
| 7140 Item identifier                              | R an..35 | +4061946442930 |   |
| 7143 Item type identification code                | R an..3  | :EN'           | <b>EN</b> International Article Numbering Association (EAN)<br><b>UP</b> UPC (Universal product code) |

This segment is used to identify the line item being despatched.

#### Example:

LIN+1++4061946442930:EN'

LIN+1++716736052809:UP'

# DESADV D.01B out (Returns)

## Segments Layout

**Group** **SG10** Status R Max. occ.: 9999 CPS-SG11-SG17

**Group** **SG17** Status R Max. occ.: 9999 LIN-PIA-IMD-QTY-SG25

**Segment** **PIA** No.: 25 Level: 3  
Status O Max. occ.: 10

### Description Additional product id

| Description                               | Manor    | Example    | Remarks                            |
|---|----------|------------|------------------------------------|
| 4347 Product identifier code<br>qualifier | R an..3  | +1         | <b>1</b> Additional identification |
| C212 Item number identification           | R        |            |                                    |
| 7140 Item identifier                      | R an..35 | +100221370 | Manor product number               |
| 7143 Item type identification<br>code     | R an..3  | :IN'       | <b>IN</b> Buyer's item number      |

This segment is used to identify additional product codes for the current line item.

**Example:**

PIA+1+100221370:IN'



# DESADV D.01B out (Returns)

## Segments Layout

**Group** **SG10** Status R Max. occ.: 9999 CPS-SG11-SG17

**Group** **SG17** Status R Max. occ.: 9999 LIN-PIA-IMD-QTY-SG25

**Segment** **PIA** No.: 26 Level: 3  
Status R Max. occ.: 10

### Description Additional product id

| Description                               | Manor    | Example | Remarks                            |
|---|----------|---------|------------------------------------|
| 4347 Product identifier code<br>qualifier | R an..3  | +1      | <b>1</b> Additional identification |
| C212 Item number identification           | R        |         |                                    |
| 7140 Item identifier                      | R an..35 | +458    | Manor waregroup number             |
| 7143 Item type identification<br>code     | R an..3  | :CG'    | <b>CG</b> Commodity grouping       |

This segment is used to identify additional product codes for the current line item.

**Example:**

PIA+1+458:CG'

# DESADV D.01B out (Returns)

## Segments Layout

**Group** **SG10** Status R Max. occ.: 9999 CPS-SG11-SG17

**Group** **SG17** Status R Max. occ.: 9999 LIN-PIA-IMD-QTY-SG25

**Segment** **IMD** No.: 27 Level: 3  
Status O Max. occ.: 25

### Description Item description

| Description                            | Manor    | Example  | Remarks            |
|--|----------|----------|--------------------|
| 7077 Description format code           | R an..3  | +F       | <b>F</b> Free-form |
| C272 Item characteristic               | N        |          |                    |
| 7081 Item characteristic code          | N an..3  | +        |                    |
| C273 Item description                  | R        |          |                    |
| 7009 Item description code             | N an..17 | +        |                    |
| 1131 Code list identification code     | N an..17 | :        |                    |
| 3055 Code list responsible agency code | N an..3  | :        |                    |
| 7008 Item description                  | R an..25 | :Pyjama' |                    |

This segment is used to describe the current line item.  
It is recommended to use this segment only for coded descriptions. Data element 7008 in clear text should only be used when no product code is available or when free-form descriptions are required by trading partners.

**Example:**

IMD+F++:::Pyjama:Free text2'

# DESADV D.01B out (Returns)

## Segments Layout

**Group** **SG10** Status R Max. occ.: 9999 CPS-SG11-SG17

**Group** **SG17** Status R Max. occ.: 9999 LIN-PIA-IMD-QTY-SG25

**Segment** **QTY** No.: 28 Level: 3  
Status R Max. occ.: 10

### Description Quantity

| Description                       | Manor    | Example | Remarks  |
|-----------------------------------|----------|---------|--|
| C186 Quantity details             | R        |         |  |
| 6063 Quantity type code qualifier | R an..3  | +61     | <b>61</b> Return quantity  |
| 6060 Quantity                     | R an..35 | :1      | Return quantity  |
| 6411 Measurement unit code        | O an..3  | :PCE'   | <b>KGM</b> kilogram<br><b>PCE</b> Piece (GS1 Temporary Code)<br><b>LTR</b> litre<br><b>MTR</b> metre<br><b>CT</b> carton |

This segment is used to specify the quantity of the product identified in the LIN segment which is about to be, or, has been despatched.

**Example:**

QTY+61:1:PCE'

# DESADV D.01B out (Returns)

## Segments Layout

|                |             |                     |                          |                      |
|----------------|-------------|---------------------|--------------------------|----------------------|
| <b>Group</b>   | <b>SG10</b> | Status R            | Max. occ.: 9999          | CPS-SG11-SG17        |
| <b>Group</b>   | <b>SG17</b> | Status R            | Max. occ.: 9999          | LIN-PIA-IMD-QTY-SG25 |
| <b>Group</b>   | <b>SG25</b> | Status R            | Max. occ.: 10            | QVR                  |
| <b>Segment</b> | <b>QVR</b>  | No.: 29<br>Status R | Level: 3<br>Max. occ.: 1 |                      |

### Description      Quantity variances

| Description                                 | Manor   | Example | Remarks   |
|---|---------|---------|---|
| C279 Quantity difference information        | R       |         |   |
| 6064 Quantity variance value                | R n..15 | +1      | Received, not accepted, to be returned quantity   |
| 6063 Quantity type code qualifier           | R an..3 | :195    | <b>195</b> Received, not accepted, to be returned<br><b>124</b> Damaged goods<br>Quantity of goods which have deteriorated in transport such that they cannot be used for the purpose for which they were originally intended.  |
| 4221 Discrepancy nature identification code | N an..3 | +       |   |
| C960 Reason for change                      | O       |         |   |
| 4295 Change reason description code         | R an..3 | +AT'    | <b>XZZ</b><br><b>AS</b> Article out of assortment<br>Article normally part of a standard assortment is unavailable.<br><b>AT</b> Item not ordered<br>Code indicating the item or product was not ordered.<br><b>AUE</b> Article code unknown (GS1 CTemporary ode)<br>Item identification code (GTIN article number) is unknown.<br><b>AV</b> Out of inventory<br>Item is out of inventory.<br><b>BN</b> Bar code not readable (GS1 Temporary Code)<br>Bar code is not readable for some reason (e.g. poor print quality) by a bar code scanning device.<br><b>DME</b> Damaged (GS1 Temporary Code)<br>Code indicating that the identified product was damaged.<br><b>IS</b> Item represents substitution from original order (GS1 Temporary Code)<br>Code indicating the item or product is a |

## Segments Layout

| Description | Manor | Example | Remarks  |
|-------------|-------|---------|--|
|             |       |         | <p><b>PC</b> substitute of the item or product originally ordered.<br/><b>Pack difference</b><br/>Self-explanatory.</p> <p><b>PE</b> Minimum/maximum product durability date unacceptable (GS1 Temporary Code)<br/>Code indicating that the minimum durability date (e.g. best before date) or maximum durability date (e.g. expiry date) of a product are not acceptable.</p> <p><b>UM</b> Unit of measure difference<br/>The change is due to a difference in the unit of measure.</p> |

This segment is used to specify any variances between what was ordered and what is ready for or has been despatched.

The quantity identified in DE 6064 must always refer to the difference between the despatched quantity identified in DE 6060 of QTY at LIN level and the ordered quantity. For negative values (e.g. damaged goods not accepted) the variance must be expressed as negative.

**Example:**

QVR+1:195++AT'

# DESADV D.01B out (Returns)

## Segments Layout

Segment

**CNT**

No.: 30  
Status R

Level: 1  
Max. occ.: 5

Description Control total

| Description                               | Manor   | Example | Remarks                                  |
|---|---------|---------|--|
| C270 Control                              | R       |         |  |
| 6069 Control total type code<br>qualifier | R an..3 | +2      | <b>2</b> Number of line items in message |
| 6066 Control total value                  | R n..18 | :5'     | Control total value                      |

This segment is used to provide message control totals.

**Example:**

CNT+2:5'

## Segments Layout

**Segment**      **UNT**      No.: 31      Level: 0  
Status R      Max. occ.: 1

**Description      Message trailer**

| Description                               | Manor    | Example | Remarks  |
|---|----------|---------|--|
| 0074      Number of segments in a message | R n..10  | +50     | The total number of segments in the message is detailed here.                          |
| 0062      Message reference number        | R an..14 | +1'     | The message reference detailed here should equal the one specified in the UNH segment. |

This segment is a mandatory UN/EDIFACT segment. It must always be the last segment in the message.

**Example:**  
UNT+50+1'

# DESADV D.01B out (Returns)

## Segments Layout

Segment

**UNZ**

No.: 32  
Status R

Level: 0  
Max. occ.: 1

Description Interchange trailer

| Description                        | Manor    | Example | Remarks  |
|------------------------------------|----------|---------|--|
| 0036 Interchange control count     | R n..6   | +27     | The total number of messages in the interchange is detailed here.                          |
| 0020 Interchange control reference | R an..14 | +1317'  | The interchange reference detailed here should equal the one specified in the UNB segment. |

This segment is used to provide the trailer of an interchange.

**Example:**

UNZ+27+1317'



## Example

### DESADV (Returns) with SSCC Food/ Non Food **Manor ORDERS**

UNA:+.? '  
UNB+UNOC:4+7612096000005:14+7699999999999:14+210823:0901+1317++++++1'  
UNH+1+DESADV:D:01B:UN:EAN005'  
BGM+35E+ODE00030049+9'  
DTM+137:202108230850:203'  
DTM+11:202109010000:203'  
RFF+ON:P008429444'  
DTM+171:20210820:102'  
RFF+AAK:L023675512\_1'  
DTM+171:20210820:102'  
NAD+BY+7612096831548::9'  
NAD+SU+3012536300100::9'  
NAD+PW+3012536300100::9'  
NAD+UC+3012536300100::9'  
NAD+BE+7612096830947::9'  
NAD+FW+7612096830947::9'  
TDT+20++30'  
CPS+1'  
PAC+2++201'  
CPS+2+1'  
PAC+1++201'  
PCI+33E'  
GIN+BJ+376120960014356403'  
LIN+1+++4061946442940:EN'  
PIA+1+100221370:IN'  
PIA+1+458:CG'  
IMD+F++::Pyjama'  
QTY+61:1:PCE'  
QVR+1:195++AT'  
CPS+3+2'  
PAC+1++201'  
PCI+33E'  
GIN+BJ+376120960014399903'  
LIN+1+++4061946442930:EN'  
PIA+1+100221999:IN'  
PIA+1+499:CG'  
IMD+F++::Pyjama L'  
QTY+61:2:PCE'  
QVR+2:195++AT'  
CNT+2:5'  
UNT+50+1'  
UNZ+27+1317'

## Example

### DESADV (Returns) with SSCC Food/ Non Food **Manor VMI-ORDERS**

UNA:+.? '  
UNB+UNOC:4+7612096000005:14+7699999999999:14+210823:0901+1317+++++1'  
UNH+1+DESADV:D:01B:UN:EAN005'  
BGM+35E+ODE00030049+9'  
DTM+137:202108230850:203'  
DTM+11:202109010000:203'  
RFF+AAK:L023675512\_1'  
DTM+171:20210820:102'  
RFF+VN:1658485'  
DTM+171:20210820:102'  
NAD+BY+7612096831548::9'  
NAD+SU+3012536300100::9'  
NAD+PW+3012536300100::9'  
NAD+UC+3012536300100::9'  
NAD+BE+7612096830947::9'  
NAD+FW+7612096830947::9'  
TDT+20++30'  
CPS+1'  
PAC+2++201'  
CPS+2+1'  
PAC+1++201'  
PCI+33E'  
GIN+BJ+376120960014356403'  
LIN+1+++4061946442940:EN'  
PIA+1+100221370:IN'  
PIA+1+458:CG'  
IMD+F++::Pyjama'  
QTY+61:1:PCE'  
QVR+1:195++AT'  
CPS+3+2'  
PAC+1++201'  
PCI+33E'  
GIN+BJ+376120960014399903'  
LIN+1+++4061946442930:EN'  
PIA+1+100221999:IN'  
PIA+1+499:CG'  
IMD+F++::Pyjama L'  
QTY+61:2:PCE'  
QVR+2:195++AT'  
CNT+2:5'  
UNT+50+1'  
UNZ+27+1317'

## Example

### DESADV (Returns) without SSCC **Manor ORDERS**

UNA:+.? '  
UNB+UNOC:4+7612096000005:14+7699999999999:14+210823:0901+1317++++++1'  
UNH+1+DESADV:D:01B:UN:EAN005'  
BGM+35E+ODE00030049+9'  
DTM+137:202108230850:203'  
DTM+11:202109010000:203'  
RFF+ON:P008429444'  
DTM+171:20210820:102'  
RFF+AAK:L023675512\_1'  
DTM+171:20210820:102'  
NAD+BY+7612096831548::9'  
NAD+SU+3012536300100::9'  
NAD+PW+3012536300100::9'  
NAD+UC+3012536300100::9'  
NAD+BE+7612096830947::9'  
NAD+FW+7612096830947::9'  
TDT+20++30'  
CPS+1'  
LIN+1++4061946442930:EN'  
PIA+1+100221370:IN'  
PIA+1+458:CG'  
IMD+F++::Pyjama'  
QTY+61:1:PCE'  
QVR+1:195++AT'  
CNT+2:5'  
UNT+50+1'  
UNZ+27+1317'

## Example

### DESADV (Returns) without SSCC **Manor VMI-ORDERS**

UNA:+.? '  
UNB+UNOC:4+7612096000005:14+7699999999999:14+210823:0901+1317++++++1'  
UNH+1+DESADV:D:01B:UN:EAN005'  
BGM+35E+ODE00030049+9'  
DTM+137:202108230850:203'  
DTM+11:202109010000:203'  
RFF+AAK:L023675512\_1'  
DTM+171:20210820:102'  
RFF+VN:1658485'  
DTM+171:20210820:102'  
NAD+BY+7612096831548::9'  
NAD+SU+3012536300100::9'  
NAD+PW+3012536300100::9'  
NAD+UC+3012536300100::9'  
NAD+BE+7612096830947::9'  
NAD+FW+7612096830947::9'  
TDT+20++30'  
CPS+1'  
LIN+1++4061946442930:EN'  
PIA+1+100221370:IN'  
PIA+1+458:CG'  
IMD+F++::Pyjama'  
QTY+61:1:PCE'  
QVR+1:195++AT'  
CNT+2:5'  
UNT+50+1'  
UNZ+27+1317'