

Manor EDI-Manuel

Sales Report

SLSRPT D01.B

EANCOM

© Copyright Manor AG Rebgasse,34 4005 Basel

EDI Contact: Isabelle Scherrer
Supply Chain
EDI & EAN Standards

Tel: +41 61 686 12 84
Fax: +41 61 686 18 22
E-Mail: isabelle.scherrer@manor.ch

EINFÜHRUNG

1. Manor Adresse Identifikation

➤ GLN Manor:

UNB : 7612096000005
NAD/MS : 7612096000005

Alle andere GLN (Global Location Number) von Manor Filialen und/oder Manor Verteilzentrale die Sie für die EDI Meldungen benötigen, werden Sie par E-Mail an Anfang der EDI Projekt erhalten.

➤ [https par AS1 or AS2 mit EDIINT Protokoll](#)

2. Status

MESSAGE-TYP : SLSRPT
REFERENZ-DIRECTORY : D.01 B
EANCOM SUBSET VERSION : 006

1. Message Description**SLSRPT Sales data report message**

UNA	1	C	1	- Service string advice
UNB	2	M	1	- Interchange header

Sales Data Report Heading Section

UNH	3	M	1	- Message header
BGM	4	M	1	- Beginning of message
DTM	5	M	5	- Date/time/period
SG2		M	5	- NAD
NAD	6	M	1	- Name and address
SG5		C	5	- CUX
CUX	7	M	1	- Currencies

Sales Data Report Detail Section

SG6		C	200000	- LOC-DTM-SG8
LOC	8	M	1	- Place/location identification
DTM	9	C	5	- Date/time/period
SG8		C	200000	- LIN-PIA-IMD-MOA-SG10
LIN	10	M	1	- Line item
PIA	11	C	5	- Additional product id
IMD	12	C	5	- Item description
MOA	13	C	5	- Monetary amount
SG10		C	999	- QTY
QTY	14	M	1	- Quantity

Sales Data Report Summary Section

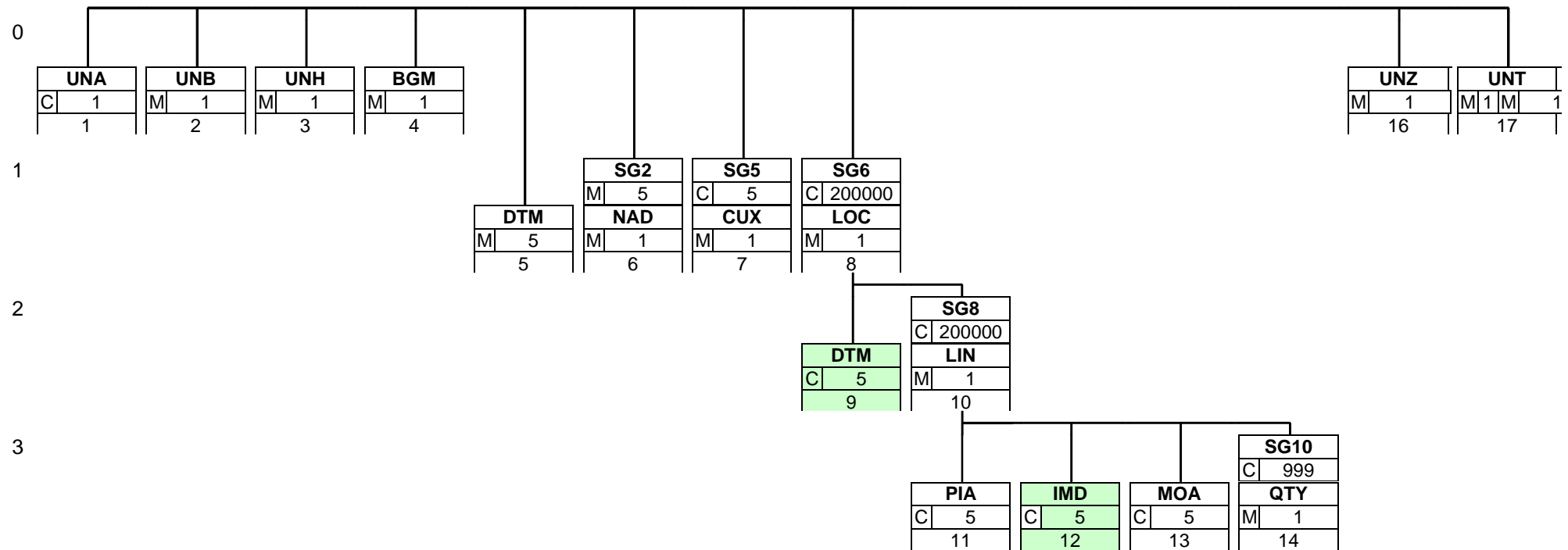
UNS	15	M	1	- Section control
UNT	15	M	1	- Message trailer
UNZ	16	M	1	- Interchange trailer

Mandatory

Optional

2. Branching Diagram

Mandatory	Optional
-----------	----------



3. Segments description

Segment number: 1

EDIFACT						EAN		
Tag	Name	St/Format	St	*	Usage			
UNA1	Component data element separator	M an1	M	*	Used as a separator between component data elements contained within a composite data element (value ":").			
UNA2	Data element separator	M an1	M	*	Used to separate two simple or composite data elements (value: "+").			
UNA3	Decimal mark	M an1	M	*	Used to indicate the character used for decimal notation (value: ".").			
UNA4	Release character	M an1	M	*	Used to restore any service character to its original specification (value: "?").			
UNA5	Repetition separator	M an1	M	*	Used to indicate the character used for repetition separation (value: " * ").			
UNA6	Segment terminator	M an1	M	*	Used to indicate the end of segment data (value: " ' ").			

Segment Notes:

This segment is used to inform the receiver of the interchange about the set of service characters (and decimal mark) which are being used.
 It must immediately precede the UNB segment and contains the five service characters (positions UNA1, UNA2, UNA4, UNA5 and UNA6) selected by the interchange sender.
 When expressing the service characters in the UNA segment, it is not necessary to include any element separators.
 Within EANCOM®, using the default set of service characters, the use of the UNA segment is not required.

Example:
 UNA:+.?'

Segment number: 2

UNB - M 1 - Interchange header					
Function: To identify an interchange.					
EDIFACT			EAN		
Tag	Name	St/Format	St	*	Usage
S001	SYNTAX IDENTIFIER	M	M		See Part I chapter 5.2.7 and segment notes. The character encoding specified in basic code table of ISO/IEC 646 (7-bit coded character set for information interchange) shall be used for the interchange service string advice (if used) and up to and including the composite data element S001 'Syntax identifier' in the interchange header. The character repertoire used for the characters in an interchange shall be identified from the code value of data element 0001 in S001 'Syntax identifier' in the interchange header. The character repertoire identified does not apply to objects and/or encrypted data. The default encoding technique for a particular repertoire shall be the encoding technique defined by its associated character set specification.
0001	Syntax identifier	Ma4	M	*	UNOC = UN/ECE level C The recommended (default) character set for use in EANCOM® for international exchanges is character set A (UNOA). Should users wish to use character sets other than A, an agreement on which set to use should be reached on a bilateral basis before communications begin.
0002	Syntax version number	Man1	M	*	3 = Version 3
0080	Service code list directory version number	Can..6	N		
0133	Character encoding, coded	Can..3	N		
S002	INTERCHANGE SENDER	M	M		
0004	Interchange sender identification	Man..35	M		GLN (n13) Format n13 Within EANCOM® the use of the Global Location Number (GLN) is recommended for the identification of the interchange sender and recipient.
0007	Identification code qualifier	Can..4	R	*	14 = EAN International
0008	Interchange sender internal	Can..35	O		Within EANCOM® the use of the Global Location

Segment number: 2

EDIFACT			EAN		
Tag	Name	St/Format	St	*	Usage
	identification				Number (GLN) is recommended for the identification of the interchange sender and recipient. Identification (e.g. a division) specified by the sender of the interchange, to be included if agreed, by the recipient in response interchanges, to facilitate internal routing.
0042	Interchange sender internal sub-identification	C an..35	N		Within EANCOM® the use of the Global Location Number (GLN) is recommended for the identification of the interchange sender and recipient. Sub-level of sender internal identification, when further sub-level identification is required.
S003	INTERCHANGE RECIPIENT	M	M		
0010	Interchange recipient identification	M an..35	M		GLN (n13) Format n13 Within EANCOM® the use of the Global Location Number (GLN) is recommended for the identification of the interchange sender and recipient.
0007	Identification code qualifier	C an..4	R	*	14 = EAN International Identification (e.g. a division) specified by the recipient of the interchange, to be included if agreed, by the sender in response interchanges, to facilitate internal routing.
0014	Interchange recipient internal identification	C an..35	O		Within EANCOM® the use of the Global Location Number (GLN) is recommended for the identification of the interchange sender and recipient. The address for routing, provided beforehand by the interchange recipient, is used by the interchange sender to inform the recipient of the internal address, within the latter's systems, to which the interchange should be routed. It is recommended that the GLN be used for this purpose.
0046	Interchange recipient internal sub-identification	C an..35	N		
S004	DATE AND TIME OF PREPARATION	M	M		The date and time specified in this composite should be the date and time at which the interchange sender prepared the interchange. This date and time may not necessarily be the same as the date and time of contained messages.
0017	Date	M n8	M		YYMMDD
0019	Time	M n4	M		HHMM
0020	Interchange control reference	M an..14	M		Unique reference identifying the interchange. Created by the interchange sender. The interchange control reference number is generated by the interchange sender and is used to identify uniquely each interchange. Should the interchange sender wish to re-use interchange control reference numbers, it is recommended that each number be preserved for at least a period of three

Segment number: 2

EDIFACT			EAN		
Tag	Name	St/Format	St	*	Usage
					months before being re-used. In order to guarantee uniqueness, the interchange control reference number should always be linked to the interchange sender's identification (DE 0004).
S005	RECIPIENT REFERENCE/ PASSWORD DETAILS	C	N		
0022	Recipient reference/password	M an..14	N		
0025	Recipient reference/password qualifier	C an2	N		
0026	Application reference	C an..14	N		
0029	Processing priority code	C a1	N		
0031	Acknowledgement request	C n1	N		
0032	Interchange agreement identifier	C an..35	N	*	
0035	Test indicator	C n1	O		1 = Interchange is a test

Segment Notes:

This segment is used to envelope the interchange, as well as to identify both, the party to whom the interchange is sent and the party who has sent the interchange. The principle of the UNB segment is the same as a physical envelope which covers one or more letters or documents, and which details, both the address where delivery is to take place and the address from where the envelope has come.

Example:

UNB+UNOC:4+5412345678908:14+8798765432106:14+070102:1000+12345555+++++1'

Segment number: 3

UNH - M 1 - Message header					
Function: To head, identify and specify a message.					
EDIFACT			EAN		
Tag	Name	St/Format	St	*	Usage
0062	Message reference number	M an..14	M		Senders unique message reference. Sequence numbers of messages in the interchange, DE 0062 in the UNT will have the same value. Generated by the sender.
S009	MESSAGE IDENTIFIER	M	M		
0065	Message type	M an..6	M	*	SLSRPT = Sales data report message
0052	Message version number	M an..3	M	*	D = Draft version/UN/EDIFACT Directory
0054	Message release number	M an..3	M	*	01B = Release 2001 - B
0051	Controlling agency, coded	M an..3	M	*	UN = UN/CEFACT
0057	Association assigned code	C an..6	R	*	EAN006 = EAN version control number (EAN Code) Indicates that the message is an EANCOM version 006 of the Sales Data Report.
Segment Notes: This segment is used to head, identify and specify a message. DE's 0065, 0052, 0054, and 0051: Indicate that the message is a Sales Data Report based on the EDIFACT D.01B directory under the control of the United Nations. Example: UNH+ME000001+SLSRPT:D:01B:UN:EAN006'					

Segment number: 4

BGM - M 1 - Beginning of message					
Function: To indicate the type and function of a message and to transmit the identifying number.					
EDIFACT			EAN		
Tag	Name	St/Format	St	*	Usage
C002	DOCUMENT/MESSAGE NAME	C	R		
1001	Document name code	C an..3	R	*	73E = Sales data report (EAN Code)
1131	Code list identification code	C an..17	N		
3055	Code list responsible agency code	C an..3	R	*	9 = EAN (International Article Numbering association)
1000	Document name	C an..35	N		
C106	DOCUMENT/MESSAGE IDENTIFICATION	C	R		
1004	Document identifier	C an..35	R		Sales Data Report number assigned by the document sender. It is recommended that the length of the document number be restricted to a maximum of 17 characters.
1056	Version identifier	C an..9	N		
1060	Revision identifier	C an..6	N		
1225	Message function code	C an..3	R	*	9 = Original The message function, coded is a critical data element in this segment. It applies to all data indicated in the message. The following definitions apply for the restricted codes: 9 = Original - An original transmission of a sales data report.
4343	Response type code	C an..3	N		
Segment Notes: This segment is used to indicate the type and function of a message and to transmit the identifying number. All references other than the document number DE 1004 are in the RFF segment (segment group 1). Example: BGM+73E::9+SDR1568+9'					

Segment number: 5

DTM - M 5 - Date/time/period					
Function: To specify date, and/or time, or period.					
EDIFACT			EAN		
Tag	Name	St/Format	St	*	Usage
C507	DATE/TIME/PERIOD	M	M		
2005	Date or time or period function code qualifier	M an..3	M	*	90 = Report start date 91 = Report end date 137 = Document/message date/time
2380	Date or time or period value	C an..35	R		
2379	Date or time or period format code	C an..3	R		204 = CCYYMMDDHHMMSS
<p>Segment Notes:</p> <p>This segment is used to specify the date or period of the sales data report. DE 2005: Identification of the 'Document/message date/time' (code value 137) is mandatory in an EANCOM message.</p> <p>Examples: DTM+137:20060930030000:204' The sales data report is dated the 30th September 2006 03:00:00</p> <p>DTM+90:20060901010000:204' The report start at the 1.st september 2006.</p> <p>DTM+91:20060929010000:204' The report end at the 29th september 2006.</p>					

Segment number: 6

SG2	- M	5 - NAD			
NAD	- M	1 - Name and address			
Function:					
To specify the name/address and their related function, either by C082 only and/or unstructured by C058 or structured by C080 thru 3207.					
EDIFACT			EAN		
Tag	Name	St/Format	St	*	Usage
3035	Party function code qualifier	M an..3	M		MR = Message recipient (optional) MS = Document/message sender(mandatory) SU = Supplier (mandatory)
C082	PARTY IDENTIFICATION DETAILS	C	A		
3039	Party identifier	M an..35	M		For the identification of parties it is recommended to use GLN - Format n13.
1131	Code list identification code	C an..17	N		
3055	Code list responsible agency code	C an..3	R	*	9 = EAN (International Article Numbering association)
Segment Notes:					
This segment is used to identify the trading parties involved in the Sales Data Reporting process. Identification of the sender and receiver of the report is mandatory. These parties may be different than those specified in UNB.					
Example:					
NAD+MS+7612096000005::9'					
NAD+SU+5412345000020::9'					
Dependency Notes:					
The following composites and data elements are only used when a coded name and address can not be used.					
The affected composites and data elements are as follows:					
C080 - C059 - 3164 - C819 - 3251 - 3207					

Segment number: 7

SG5	- C	5 - CUX			
CUX	- M	1 - Currencies			
Function:					
To specify currencies used in the transaction and relevant details for the rate of exchange.					
EDIFACT			EAN		
Tag	Name	St/Format	St	*	Usage
C504	CURRENCY DETAILS	C	R		
6347	Currency usage code qualifier	M an..3	M	*	2 = Reference currency
6345	Currency identification code	C an..3	R		ISO 4217 three alpha code
Segment Notes:					
<p>This segment is used to specify the currencies in which the prices in the Sales Data Report are quoted. The CUX segment is mandatory for international exchange.</p> <p>When specifying Reference and Target Currencies for international trade, one occurrence of CUX is all that is required. The reference currency is identified in the first occurrence of the composite C504, with the target currency specified in the second occurrence of C504. The rate of exchange between the two is detailed in the DE 5402.</p> <p>The general rule for calculating rate of exchange is as follows: Reference Currency multiplied by Rate = Target Currency.</p> <p>Example: CUX+2:CHF'</p>					

Segment number: 8

SG6	- C	200000	- LOC-DTM-SG8
LOC	- M	1	- Place/location identification
Function: To identify a place or a location and/or related locations.			
EDIFACT			EAN
Tag	Name	St/Format	St * Usage
3227	Location function code qualifier	M an..3	M 162 = Place or location of sale
C517	LOCATION IDENTIFICATION	C	A
3225	Location name code	C an..25	A For identification of locations it is recommended to use GLN - Format n13.
1131	Code list identification code	C an..17	N
3055	Code list responsible agency code	C an..3	D 9 = EAN (International Article Numbering association) DE 3055 must be used if DE 3225 is used and does not contain an UN/LOCODE.
3224	Location name	C an..256	N
Segment Notes: This segment is used to identify the location where the sales took place. The LOC segment is the trigger segment for the Sales Data Report detail section. Example: LOC+162+7612096076475::9'			

Segment number: 9

SG6	- C	200000	- LOC-DTM-SG8	
DTM	- C	5	- Date/time/period	
Function: To specify date, and/or time, or period.				
EDIFACT			EAN	
Tag	Name	St/Format	St	* Usage
C507	DATE/TIME/PERIOD	M	M	
2005	Date or time or period function code qualifier	M an..3	M	* 356 = Sales date, and or time, and or period
2380	Date or time or period value	C an..35	R	
2379	Date or time or period format code	C an..3	R	718 = CCYYMMDD-CCYYMMDD
Segment Notes:				
Optional				
This segment is used to indicate the date or period of sale for the items which follow in the LIN sub-group (Group 8). The DTM segment can be used to specify sub-periods such as weekly sales within a monthly Sales Data Report.				
This segment is not required if the date or period being identified here is the same as the date or period identified at heading level.				
Example:				
DTM+356:2000805-20060806:718'				
The period of time during which the sales for the current line item took place is from the 5.th Juli 2006 to the 6.th Juli 2006.				

Segment number: 10

SG6	- C	200000 - LOC-DTM-SG8			
SG8	- C	200000 - LIN-PIA-IMD-MOA-SG10			
LIN	- M	1 - Line item			
Function: To identify a line item and configuration.					
EDIFACT			EAN		
Tag	Name	St/Format	St	*	Usage
1082	Line item identifier	C an..6	R		Application generated number of the item lines within the Sales Data Report.
1229	Action request/notification description code	C an..3	N		
C212	ITEM NUMBER IDENTIFICATION	C	D		This composite is only used for the identification of GTIN's. If another coding structure is required, e.g. HIBC, then this composite will not be used and the code will be detailed in the PIA segment.
7140	Item identifier	C an..35	R		Format n..14 GTIN This is the number of the article whose sales are being reported.
7143	Item type identification code	C an..3	R	*	SRV = EAN.UCC Global Trade Item Number
Segment Notes:					
<p>This segment is used to identify the product on which the sales data is being reported. If Global Trade Item Numbers are available it is mandatory to use GTIN within the LIN segment. The segment group triggered by the LIN segment (Group 8) is used to provide relevant information for the products sold in terms of product identification, price, quantity, and, total value of sales.</p>					
<p>Example: LIN+1++3323456007803:SRV'</p>					
<p>Dependency Notes: C829 is only used when sub-lines are required. FOR A MORE COMPLETE DESCRIPTION ON THE USAGE OF SUB-LINES PLEASE REFER TO PART I, SECTION 4.10.</p>					

Segment number: 11

SG6	- C	200000 - LOC-DTM-SG8			
SG8	- C	200000 - LIN-PIA-IMD-MOA-SG10			
PIA	- C	5 - Additional product id			
Function: To specify additional or substitutional item identification codes.					
EDIFACT			EAN		
Tag	Name	St/Format	St	*	Usage
4347	Product identifier code qualifier	M an..3	M	*	1 = Additional identification Product Id function has the following restricted coded function: 1 - Additional Identification - To provide an additional identity for the product identified in the LIN segment. The additional identification can consist of: A supplemental identification which provides more information complementary to the main GTIN provided in the LIN segment, e.g., a batch number, promotional variant number, product group number, etc. An alternative identification which may be used instead of the main GTIN provided in the LIN segment, e.g., a buyers article number, an HIBC code, etc.
C212	ITEM NUMBER IDENTIFICATION	M	M		
7140	Item identifier	C an..35	R		
7143	Item type identification code	C an..3	R		IN = Buyer's item number GB = Buyer's internal product group code SA = Supplier's article number (Optional)
1131	Code list identification code	C an..17	N		
3055	Code list responsible agency code	C an..3	D		92 = Assigned by buyer or buyer's agent 91 = Assigned by supplier or supplier's agent
Segment Notes: This segment is used to specify additional item identification codes such as a buyers, or sellers, item number. Example: PIA+1+W6-34567801:IN::92' In this example the PIA segment is used to provide an additional identification to the GTIN provided in the LIN segment. The GTIN 3323456007803 provided in the LIN segment refers to the internal buyer's item number AEX5421. PIA+1+2455:GB::92' This example details the 2455 which is provided as the internal product group code.					

Segment number: 12

SG6	- C	200000 - LOC-DTM-SG8	
SG8	- C	200000 - LIN-PIA-IMD-MOA-SG10	
IMD	- C	5 - Item description	
Function: To describe an item in either an industry or free format.			
EDIFACT		EAN	
Tag	Name	St/Format	St * Usage
7077	Description format code	C an..3	O * F = Free-form
C272	ITEM CHARACTERISTIC	C	O Not used from Manor
7081	Item characteristic code	C an..3	R
1131	Code list identification code	C an..17	O
3055	Code list responsible agency code	C an..3	D *
C273	ITEM DESCRIPTION	C	A
7009	Item description code	C an..17	O Not used
1131	Code list identification code	C an..17	N
3055	Code list responsible agency code	C an..3	D Not used
7008	Item description	C an..256	O Item description
Segment Notes:			
Optional			
This segment is used to describe the current line item. It is recommended that this segment only be used for coded descriptions. Data element 7008 in clear text should only be used when no product code is available or when free-form descriptions are required by the trading partners.			
Example: IMD+F+++::CORN CRUNCHIES:CASE'			

Segment number: 13

SG6	- C	200000 - LOC-DTM-SG8	
SG8	- C	200000 - LIN-PIA-IMD-MOA-SG10	
MOA	- C	5 - Monetary amount	
Function: To specify a monetary amount.			
EDIFACT		EAN	
Tag	Name	St/Format	St * Usage
C516	MONETARY AMOUNT	M	M Monetary amount = Selling price * sold quantity
5025	Monetary amount type code qualifier	M an..3	M 203 = Line item amount
5004	Monetary amount	C n..35	R
Segment Notes: This segment is used to indicate the value of the sales for the current line item for the period being reported. Monetary amount = sales quantity * sales price Example: MOA+203:125.99'			

Segment number: 14

SG6	- C	200000 - LOC-DTM-SG8	
SG8	- C	200000 - LIN-PIA-IMD-MOA-SG10	
SG10	- C	999 - QTY	
QTY	- M	1 - Quantity	
Function: To specify a pertinent quantity.			
EDIFACT		EAN	
Tag	Name	St/Format	St * Usage
C186	QUANTITY DETAILS	M	M
6063	Quantity type code qualifier	M an..3	M * 153 = Statistical sales quantity 145 = Actual stock
6060	Quantity	M an..35	M
6411	Measurement unit code	C an..3	D This DE is only used if the product being reported upon is of variable quantity.
Segment Notes: This segment is used to indicate quantities related to the current line item. Examples: QTY+153:140:KGM' QTY+145:10'			

Segment number: 15

UNT - M 1 - Message trailer					
Function: To end and check the completeness of a message.					
EDIFACT			EAN		
Tag	Name	St/Format	St	*	Usage
0074	Number of segments in a message	M n..10	M		The total number of segments in the message is detailed here.
0062	Message reference number	M an..14	M		The message reference numbered detailed here should equal the one specified in the UNH segment.
Segment Notes: This segment is a mandatory UN/EDIFACT segment. It must always be the last segment in the message. Example: UNT+27+ME000001'					

Segment number: 16

UNZ - M 1 - Interchange trailer					
Function: To end and check the completeness of an interchange.					
EDIFACT			EAN		
Tag	Name	St/Format	St	*	Usage
0036	Interchange control count	M n..6	M		Number of messages or functional groups within an interchange. If functional groups are used, this is the number of functional groups within the interchange. If functional groups are not used, this is the number of messages within the interchange.
0020	Interchange control reference	M an..14	M		Identical to DE 0020 in UNB segment.
Segment Notes: This segment is used to provide the trailer of an interchange. Example: UNZ+5+12345555'					

4. Examples

4.1 Message Structure

- Sales report number
- Sales report date
- Sales report start date
- Sales report end date
- Sales report sender
- Sales report receiver
- Currency
 - Ware-House 1
 - EAN item 1
 - Manor item number
 - Manor Ware-group number
 - Supplier item number
 - Item description
 - Monetary amount (quantity*sales price)
 - Statistical sales quantity
 - Actual stock quantity
 - Measurement unit
 - EAN item 2
 - Manor item number
 - Manor Ware-group number
 - Supplier item number
 - Item description
 - Monetary amount (quantity*sales price)
 - Statistical sales quantity
 - Measurement unit
 - Etc...
 - Ware-House 2
 - EAN item 1
 - Manor item number
 - Manor Ware-group number
 - Supplier item number
 - Etc...
 - Etc...
- Etc...

4.2 Example

```
UNA:+.?'
UNB+UNOC:3+7612096000005:14+5411501000010:14+020522:1727+0000047'
UNH+1+SLSRPT:D:01B:UN:EAN006'
BGM+73E::9+3434149+9'
DTM+137:20060606010500:204'
DTM+90:20060605000000:204'
DTM+91:20060607000000:204'
NAD+MS+7612096000005::9'
NAD+SU+5411501000010::9'
NAD+MR+5411501000010::9'
CUX+2:CHF'
LOC+162+7612096076475::9'
DTM+356:20060605-20060606:718'
LIN+1++5411501112027:SRV'
PIA+1+W1-80650004:IN::92'
PIA+1+2502:GB::92'
PIA+1+123456:SA::92'
MOA+203:254.55'
QTY+153:15'
QTY+145:25'
LOC+162+7612096076475::9'
DTM+356:20060606-20060607:718'
LIN+1++5411501112027:SRV'
PIA+1+W1-80650004:IN::92'
PIA+1+2502:GB::92'
PIA+1+123456:SA::92'
MOA+203:254.55'
QTY+153:5'
QTY+145:20'
LOC+162+7612096085101::9'
DTM+356:20060605-20060606:718'
LIN+1++5411501112027:SRV'
PIA+1+W1-80650004:IN::92'
PIA+1+2502:GB::92'
PIA+1+123456:SA::92'
MOA+203:254.55'
QTY+153:12'
QTY+145:15'
Etc...

UNS+S'
UNT+55+1'
UNH+2+SLSRPT:D:01B:UN:EAN006'
BGM+73E::9+3434201+9'
DTM+137:200205220105:203'
etc...

UNT+64+8'
UNZ+8+0000047'
```


5. Message Release number:

Version	date	Descriptions
1.0	Juni 2006	Draft: Version
1.1	December 2006	Final version PIA DE C212/3055 with 91 for SA, UNS deleted