



RECADV D.01B out

based on

RECADV

Receiving advice message

EANCOM® 2002 S4; D.01B

- **Message Description**
- **Branching Diagram**
- **Segment Details**
- **Example message**
- **List of changes**

Version 1.0
Variant final
Version date 11.04.2022

Documentation conventions

Format

as described in column "Format" of segment details

Character type:

a :alphabetic characters
 n :numeric characters
 an :alpha-numeric characters

Status indicators

as described in column "St" of segment details

(R)equired

Indicates that the entity is required and must be sent. (This status is set by EANCOM®.)

(O)ptional

Indicates that the entity is conditional and may be sent at the discretion of the user.

(D)ependent

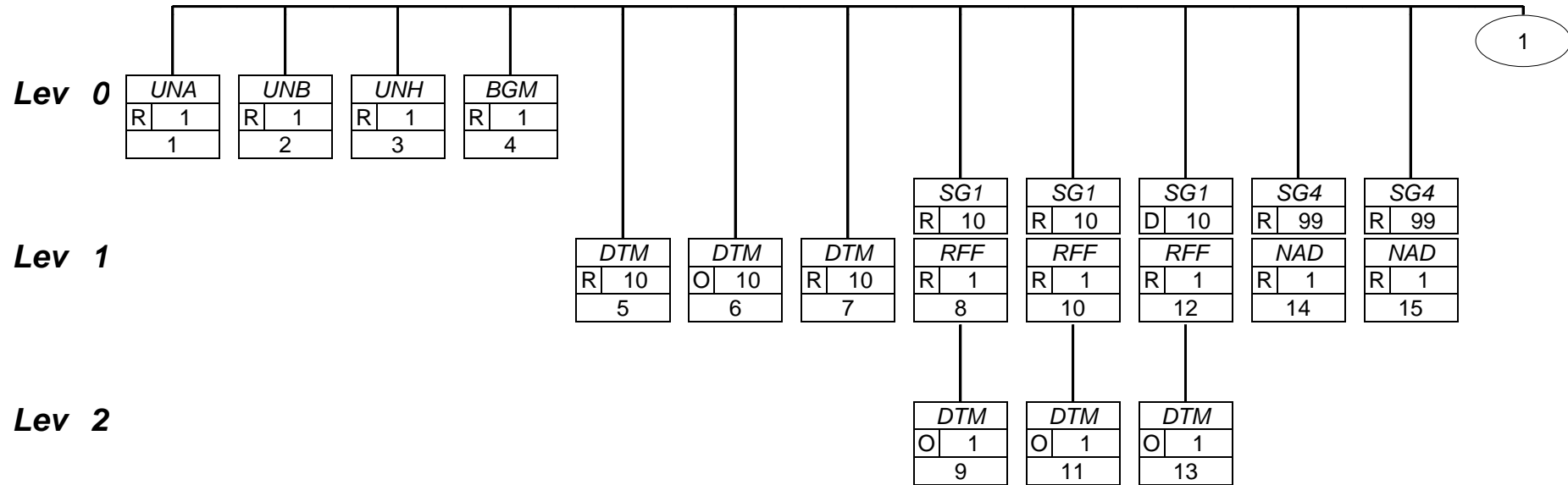
Indicates that the entity must be sent in certain conditions, as defined by the relevant explanatory note.

(N)ot used

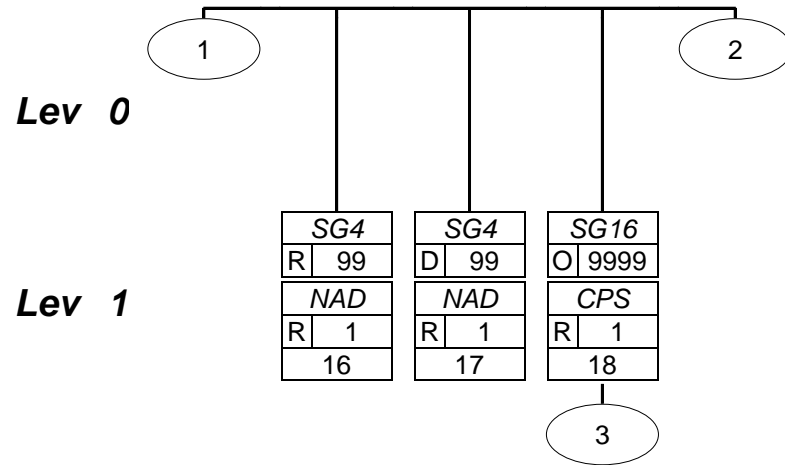
Indicates that the entity is not used.

RECADV D.01B out

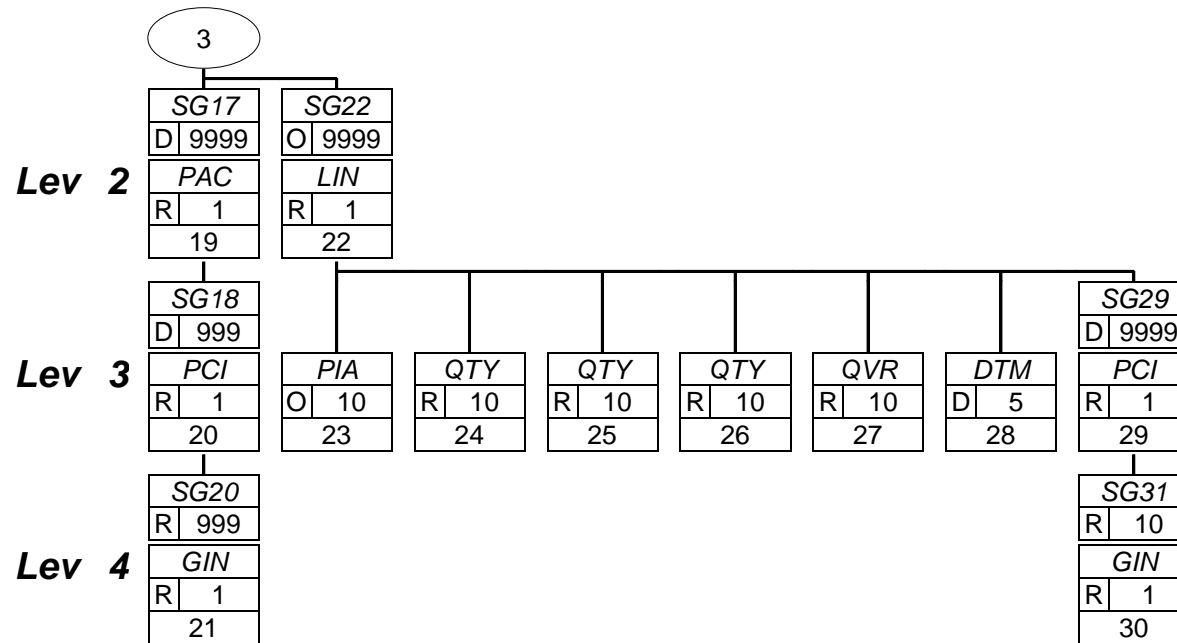
Branching diagram



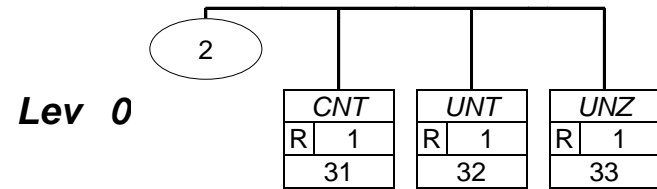
Branching diagram



Branching diagram



Branching diagram



Segments Layout

Segment **UNA**
 No.: 1 Level: 0
 Status R Max. occ.: 1

Description Service string advice

Description	Manor	Example	Remarks
UNA1 Component data element separator	R an1	:	Used as a separator between component data elements contained within a composite data element (value ":").
UNA2 Data element separator	R an1	+	Used to separate two simple or composite data elements (value: "+").
UNA3 Decimal mark	R an1	.	Used to indicate the character used for decimal notation (value: ".").
UNA4 Release character	R an1	?	Used to restore any service character to its original specification (value: "?").
UNA5 Repetition separator	R an1	'	Used to indicate the character used for repetition separation (value: " ' ").
UNA6 Segment terminator	R an1	'	Used to indicate the end of segment data (value: " ' ").

This segment is used to inform the receiver of the interchange about the set of service characters (and decimal mark) which are being used. It must immediately precede the UNB segment and contains the five service characters (positions UNA1, UNA2, UNA3, UNA4, UNA5 and UNA6) selected by the interchange sender. When expressing the service characters in the UNA segment, it is not necessary to include any element separators. Within EANCOM®, using the default set of Service characters, the use of the UNA segment is not required.

Example:

UNA:+.? '

Segments Layout

Segment **UNB** No.: 2 Level: 0
 Status R Max. occ.: 1

Description Interchange header

Description	Manor	Example	Remarks
S001 Syntax identifier	R		
0001 Syntax identifier	R a4	+UNOC	UNOC UN/ECE level C
0002 Syntax version number	R an1	:3	3 Version 3
S002 Interchange sender	R		
0004 Interchange sender identification	R an..35	+7612096000005	Interchange sender identification Manor GLN 7612096000005 = productive GLN 7612096000487 = test GLN Format n13
0007 Identification code qualifier	R an..4	:14	14 GS1
S003 Interchange recipient	R		
0010 Interchange recipient identification	R an..35	+7699999999999	Interchange recipient identification usually GLN
0007 Identification code qualifier	R an..4	:14	14 GS1
S004 Date and time of preparation	R		
0017 Date	R n8	+211014	yyMMdd Format n6
0019 Time	R n4	:0900	hhmm
0020 Interchange control reference	R an..14	+1739	Interchange reference
S005 Recipient reference/ password details	N		
0022 Recipient reference/ password	N an..14	+	
0026 Application reference	N an..14	+	
0029 Processing priority code	N a1	+	
0031 Acknowledgement request	N n1	+	
0032 Interchange agreement identifier	N an..35	+	
0035 Test indicator	D n1	+1'	1 Interchange is a test Indicates that the interchange is a test.

This segment is used to envelope the interchange, as well as to identify both, the party to whom the interchange is sent and the party who has sent the interchange. The principle of the UNB segment is the same as a physical envelope which covers one or more letters or documents, and which details, both the address where delivery is to take place and the address from where the envelope has come.

Example:

UNB+UNOC:3+7612096000005:14+7699999999999:14+00210719:0900+1739++++++1'

Segments Layout

Segment **UNH**
 No.: 3 Level: 0
 Status R Max. occ.: 1

Description Message header

Description	Manor	Example	Remarks
0062 Message reference number	R an..14	+1	Senders unique message reference.
S009 Message identifier	R		
0065 Message type	R an..6	+RECADV	RECADV Receiving advice message
0052 Message version number	R an..3	:D	D Draft version/UN/EDIFACT Directory
0054 Message release number	R an..3	:01B	01B Release 2001 - B
0051 Controlling agency, coded	R an..3	:UN	UN UN/CEFACT
0057 Association assigned code	R an..6	:EAN006'	EAN006 GS1 version control number (GS1 Permanent Code)

This message is used to head, identify and specify a message.
 DE's 0065, 0052, 0054 and 0051: Indicate that the message is a UNSM Receiving Advice based on the D.01B directory under the control of the United Nations

Example:

UNH+1+RECADV:D:01B:UN:EAN006'

Segments Layout

Segment

BGM

No.: 4
Status R

Level: 0
Max. occ.: 1

Description Beginning of message

Description	Manor	Example	Remarks
C002 Document/message name	R		
1001 Document name code	R an..3	+632	632 Goods receipt
C106 Document/message identification	R		
1004 Document identifier	R an..35	+ORE00077490	Receiving Advice number assigned by the document sender. For global unique identification of documents Global Document Type Identifier (GDTI) is available.
1225 Message function code	R an..3	+9'	9 Original

This segment is used to indicate the type and function of a message and to transmit the identifying number. All references other than the document message number DE 1004 are to be put into the RFF segment.

Example:

BGM+632+ORE00077490+9'

Segments Layout

Segment **DTM**
 No.: 5 Level: 1
 Status R Max. occ.: 10

Description Date/time/period

Description	Manor	Example	Remarks
C507 Date/time/period	R		
2005 Date or time or period function code qualifier	R an..3	+137	137 Document/message date/time
2380 Date or time or period value	R an..35	:20210719000000	Document/message date/time
2379 Date or time or period format code	R an..3	:204'	204 CCYYMMDDHHMMSS

This segment is used to specify any dates related to the complete receiving advice message.

DE 2005: Identification of the 'Document/message date/time' (code value 137) is mandatory in an EANCOM message.

Example:

DTM+137:20210722000000:204'

Segments Layout

Segment **DTM**
 No.: 6 Level: 1
 Status O Max. occ.: 10

Description Date/time/period

Description	Manor	Example	Remarks
C507 Date/time/period	R		
2005 Date or time or period function code qualifier	R an..3	+35	35 Delivery date/time, actual
2380 Date or time or period value	R an..35	:20211019000000	Delivery date/time, actual
2379 Date or time or period format code	R an..3	:204'	204 CCYYMMDDHHMMSS

Delivery date/time - This code is used to indicate a situation when the date/time of delivery was not the same as the date/time on which the goods were formally received.

Example:

DTM+35:20211019000000:204'

Segments Layout

Segment

DTM

No.: 7
Status R

Level: 1
Max. occ.: 10

Description Date/time/period

Description	Manor	Example	Remarks
C507 Date/time/period	R		
2005 Date or time or period function code qualifier	R an..3	+50	50 Goods receipt date/time
2380 Date or time or period value	R an..35	:20021105164000	Goods receipt date/time
2379 Date or time or period format code	R an..3	:204'	204 CCYYMMDDHHMMSS

This segment is used to specify any dates related to the complete receiving advice message.

DE 2005: Identification of the 'Document/message date/time' (code value 137) is mandatory in an EANCOM message.

Example:

DTM+50:20211112164000:204'

The goods were received on the 12th of November 2021 at 4:40pm.

Segments Layout

Group **SG1** Status R Max. occ.: 10 RFF+AAK Despatch advice number

Segment **RFF** No.: 8 Level: 1
Status R Max. occ.: 1

Description Reference

Description	Manor	Example	Remarks
C506 Reference	R		
1153 Reference code qualifier	R an..3	+AAK	AAK Despatch advice number
1154 Reference identifier	R an..70	:20401345'	Despatch advice number

This segment is used to specify references which apply to the whole receiving advice message.

Example:

RFF+AAK:20401345'

Segments Layout

Group **SG1** Status R Max. occ.: 10 RFF+AAK Despatch advice number

Segment **DTM** No.: 9 Level: 2
Status O Max. occ.: 1

Description Date/time/period

Description	Manor	Example	Remarks
C507 Date/time/period	R		
2005 Date or time or period function code qualifier	R an..3	+171	171 Reference date/time
2380 Date or time or period value	R an..35	:20210715	Despatch advice number reference date/time
2379 Date or time or period format code	R an..3	:102'	102 CCYYMMDD

This segment is used to specify dates relating to the references given in the previous RFF segment.

Example:

DTM+171:20210715:102'

Segments Layout

Group **SG1** Status R Max. occ.: 10 RFF+ON Order number (buyer)

Segment **RFF** No.: 10 Level: 1
Status R Max. occ.: 1

Description Reference

Description	Manor	Example	Remarks
C506 Reference	R		
1153 Reference code qualifier	R an..3	+ON	ON Order number (buyer)
1154 Reference identifier	R an..70	:P008118223'	Order number (supplier)

This segment is used to specify references which apply to the whole receiving advice message.

Example:

RFF+ON:P008118223'

Segments Layout

Group **SG1** Status R Max. occ.: 10 RFF+ON Order number (buyer)

Segment **DTM** No.: 11 Level: 2
Status O Max. occ.: 1

Description Date/time/period

Description	Manor	Example	Remarks
C507 Date/time/period	R		
2005 Date or time or period function code qualifier	R an..3	+171	171 Reference date/time
2380 Date or time or period value	R an..35	:20210715	Order number (buyer) reference date/time
2379 Date or time or period format code	R an..3	:102'	102 CCYYMMDD

This segment is used to specify dates relating to the references given in the previous RFF segment.

Example:

DTM+171:20210715:102'

Segments Layout

Group **SG1** Status D Max. occ.: 10 RFF+VN Order number (supplier)

Segment **RFF** No.: 12 Level: 1
Status R Max. occ.: 1

Description Reference

Description	Manor	Example	Remarks
C506 Reference	R		
1153 Reference code qualifier	R an..3	+VN	VN Order number (supplier)
1154 Reference identifier	R an..70	:AI1007722'	Order number (supplier)

This segment is used to specify references which apply to the whole receiving advice message.

Example:

RFF+VN:AI1007722'

Segments Layout

Group **SG1** Status D Max. occ.: 10 RFF+VN Order number (supplier)

Segment **DTM** No.: 13 Level: 2
Status O Max. occ.: 1

Description Date/time/period

Description	Manor	Example	Remarks
C507 Date/time/period	R		
2005 Date or time or period function code qualifier	R an..3	+171	171 Reference date/time
2380 Date or time or period value	R an..35	:20210715	Order number (supplier) reference date/time
2379 Date or time or period format code	R an..3	:102'	102 CCYYMMDD

This segment is used to specify dates relating to the references given in the previous RFF segment.

Example:

DTM+171:20210715:102'

Segments Layout

Group **SG4** Status R Max. occ.: 99 NAD+BY Buyer

Segment **NAD** No.: 14 Level: 1
Status R Max. occ.: 1

Description Name and address

Description	Manor	Example	Remarks
3035 Party function code qualifier	R an..3	+BY	BY Buyer
C082 Party identification details	R		
3039 Party identifier	R an..35	+7612096831098	GLN of the Party
1131 Code list identification code	N an..17	:	
3055 Code list responsible agency code	R an..3	:9'	9 GS1

This segment is used to identify the trading partners involved in the Receiving Advice message. Identification of the sender and recipient of the goods is mandatory in the Receiving Advice.

Example:

NAD+BY+7612096831098::9'

Segments Layout

Group **SG4** Status R Max. occ.: 99 NAD+SU Supplier

Segment **NAD** No.: 15 Level: 1
Status R Max. occ.: 1

Description Name and address

Description	Manor	Example	Remarks
3035 Party function code qualifier	R an..3	+SU	SU Supplier
C082 Party identification details	R		
3039 Party identifier	R an..35	+7612435000000	GLN of the Party
1131 Code list identification code	N an..17	:	
3055 Code list responsible agency code	R an..3	:9'	9 GS1

This segment is used to identify the trading partners involved in the Receiving Advice message. Identification of the sender and recipient of the goods is mandatory in the Receiving Advice.

Example:

NAD+SU+7612435000000::9'

Segments Layout

Group **SG4** Status R Max. occ.: 99 NAD+DP Delivery party

Segment **NAD** No.: 16 Level: 1
Status R Max. occ.: 1

Description Name and address

Description	Manor	Example	Remarks
3035 Party function code qualifier	R an..3	+DP	DP Delivery party
C082 Party identification details	R		
3039 Party identifier	R an..35	+7612096834754	GLN of the Party
1131 Code list identification code	N an..17	:	
3055 Code list responsible agency code	R an..3	:9'	9 GS1

This segment is used to identify the trading partners involved in the Receiving Advice message. Identification of the sender and recipient of the goods is mandatory in the Receiving Advice.

Example:

NAD+DP+7612096834754::9'

Segments Layout

Group **SG4** Status D Max. occ.: 99 NAD+UC Ultimate consignee

Segment **NAD** No.: 17 Level: 1
Status R Max. occ.: 1

Description Name and address

Description	Manor	Example	Remarks
3035 Party function code qualifier	R an..3	+UC	UC Ultimate consignee Party who has been designated on the invoice or packing list as the final recipient of the stated merchandise.
C082 Party identification details	R		
3039 Party identifier	R an..35	+7612096834754	GLN of the Party
1131 Code list identification code	N an..17	:	
3055 Code list responsible agency code	R an..3	:9'	9 GS1

This segment is used to identify the trading partners involved in the Receiving Advice message. Identification of the sender and recipient of the goods is mandatory in the Receiving Advice.

Example:

NAD+UC+7612096834754::9'

Segments Layout

Group **SG16** Status O Max. occ.: 9999 CPS-SG17-SG22

Segment **CPS** No.: 18 Level: 1
Status R Max. occ.: 1

Description Consignment packing sequence

Description	Manor	Example	Remarks
7164 Hierarchical structure level identifier	R an..35	+2	Sequential numbering recommended. When not identifying different shipment hierarchical levels within the Receiving Advice, it is recommended to use a default value of 1.
7166 Hierarchical structure parent identifier	D an..35	+1'	Identification number of the next higher hierarchical data segment in a hierarchical structure.

This segment is used to provide a detailed description of the packaging of the goods.

Example:

CPS+1' - for despatch level (required)

CPS+2+1' - for first transport unit level

CPS+3+2' - for second transport unit level

Segments Layout

Group	SG16	Status O	Max. occ.: 9999	CPS-SG17-SG22
Group	SG17	Status D	Max. occ.: 9999	PAC-SG18
Segment	PAC	No.: 19 Status R	Level: 2 Max. occ.: 1	

Description Package

Description	Manor	Example	Remarks
7224 Package quantity	R n..8	+10	In the "advice discrepancies" scenario this data element should be used when quantity variances at the package level have to be reported and carry the number of packages that were actually received. In the "confirmation of receipt of goods" scenario, this data element may carry the number of packages that were received.
C531 Packaging details	N		
7075 Packaging level code	N an..3	+	
C202 Package type	O		
7065 Package type description code	R an..17	+201'	All codes of codeliste 7065 may be used 201 Pallet ISO 1 - 1/1 EURO Pallet (EAN Code) 09 Returnable pallet (EAN Code) PK Package SL Slipsheet CT Carton BX Box 08 Oneway pallet (EAN Code)

This segment is used to identify the total number of packages and package types for the hierarchical level identified in the CPS segment. Please refer to the 'Structure of the Receiving Advice Message' section in the introduction for details on the use of the PAC segment.

Example:

PAC+10++201'

Segments Layout

Group	SG16	Status O	Max. occ.: 9999	CPS-SG17-SG22
Group	SG17	Status D	Max. occ.: 9999	PAC-SG18
Group	SG18	Status D	Max. occ.: 999	PCI-SG20
Segment	PCI	No.: 20 Status R	Level: 3 Max. occ.: 1	

Description Package identification

Description	Manor	Example	Remarks
4233 Marking instructions code	R an..3	+33E'	33E Marked with serial shipping container code (GS1 Temporary Code) Indication that the serial shipping container code has been marked on a package.

This segment is used to provide markings and labels information relevant to the packaging unit identified in the PAC segment.
The segment may be used to provide labelling information on shipping containers not known by the receiver of the goods.

Example:
PCI+33E'

Segments Layout

Group	SG16	Status O	Max. occ.: 9999	CPS-SG17-SG22
Group	SG17	Status D	Max. occ.: 9999	PAC-SG18
Group	SG18	Status D	Max. occ.: 999	PCI-SG20
Group	SG20	Status R	Max. occ.: 999	GIN
Segment	GIN	No.: 21 Status R	Level: 4 Max. occ.: 1	

Description Goods identity number

Description	Manor	Example	Remarks
7405 Object identification code qualifier	R an..3	+BJ	BJ Serial shipping container code
C208 Identity number range	R		
7402 Object identifier	R an..35	+35412345000000 0014'	Serial Shipping Container Code

This segment is used to provide identification numbers relevant to the packaging unit identified in the PAC segment. DE C208: If a sequential series of identity numbers is provided (e.g., 1 up to and including 10) only one repetition of the C208 composite is needed with the first repetition of 7402 specifying the numerically smaller identity number (e.g., 1) and the second repetition the larger identity number (e.g., 10). If identity numbers are not sequential and part of a series (e.g., 1, 3, and 10) then a separate C208 and DE 7402 must be used for each identity number. In EANCOM it is recommended to use the Serial Shipping Container Code (SSCC) for unique identification of individual transport packages.

Example:

GIN+BJ+354123450000000014'

Segments Layout

Group	SG16	Status O	Max. occ.: 9999	CPS-SG17-SG22
Group	SG22	Status O	Max. occ.: 9999	LIN-PIA-QTY-QVR-DTM-SG29
Segment	LIN	No.: 22 Status R	Level: 2 Max. occ.: 1	

Description Line item

Description	Manor	Example	Remarks
1082 Line item identifier	R an..6	+1	Application generated number of the line item within the Receiving Advice.
1229 Action request/notification description code	N an..3	+	
C212 Item number identification	D		
7140 Item identifier	R an..35	+4061946442930	GS1 Global Trade Item Number or UPC (Universal product code)
7143 Item type identification code	R an..3	:SRV'	SRV GS1 Global Trade Item Number UP UPC (Universal product code)

This segment is used to identify the product received. If Global Trade Item Numbers are available it is mandatory to use GTIN within the LIN segment. If a product has been delivered but not accepted it must be identified using a separate line item. In these cases the received and accepted quantities are zero. Such products might include unknown or not ordered products, excess deliveries, damaged goods, unacceptable product variants or batch numbers, different pack size, etc.. Reasons for the action is detailed in the QTY-QVR-DTM segments.

Example:

LIN+1++716736052809:UP'
LIN+1++4061946442930:SRV'

Segments Layout

Group	SG16	Status O	Max. occ.: 9999	CPS-SG17-SG22
Group	SG22	Status O	Max. occ.: 9999	LIN-PIA-QTY-QVR-DTM-SG29
Segment	PIA	No.: 23 Status O	Level: 3 Max. occ.: 10	

Description Additional product id

Description	Manor	Example	Remarks
4347 Product identifier code qualifier	R an..3	+1	1 Additional identification
C212 Item number identification	R		
7140 Item identifier	R an..35	+P0-55731102	Buyer's item number
7143 Item type identification code	R an..3	:IN'	IN Buyer's item number

This segment is used to specify additional product codes for the current line item.

Example:

PIA+1+P0-55731102:IN'

Segments Layout

Group	SG16	Status O	Max. occ.: 9999	CPS-SG17-SG22
Group	SG22	Status O	Max. occ.: 9999	LIN-PIA-QTY-QVR-DTM-SG29
Segment	QTY	No.: 24 Status R	Level: 3 Max. occ.: 10	

Description Quantity

Description	Manor	Example	Remarks
C186 Quantity details	R		
6063 Quantity type code qualifier	R an..3	+12	12 Despatch quantity
6060 Quantity	R an..35	:17	Despatch quantity
6411 Measurement unit code	O an..3	:PCE'	KGM kilogram PCE Piece (GS1 Temporary Code) LTR litre MTR metre CT carton

This segment is used to specify any quantities related to the current line item.

Example:
QTY+12:17:PCE'

Segments Layout

Group	SG16	Status O	Max. occ.: 9999	CPS-SG17-SG22
Group	SG22	Status O	Max. occ.: 9999	LIN-PIA-QTY-QVR-DTM-SG29
Segment	QTY	No.: 25 Status R	Level: 3 Max. occ.: 10	

Description Quantity

Description	Manor	Example	Remarks
C186 Quantity details	R		
6063 Quantity type code qualifier	R an..3	+194	194 Received and accepted
6060 Quantity	R an..35	:1	Received and accepted quantity
6411 Measurement unit code	O an..3	:PCE'	KGM kilogram PCE Piece (GS1 Temporary Code) LTR litre MTR metre CT carton

This segment is used to specify any quantities related to the current line item.

Example:

QTY+194:1:PCE'

Segments Layout

Group	SG16	Status O	Max. occ.: 9999	CPS-SG17-SG22
Group	SG22	Status O	Max. occ.: 9999	LIN-PIA-QTY-QVR-DTM-SG29
Segment	QTY	No.: 26 Status R	Level: 3 Max. occ.: 10	

Description Quantity

Description	Manor	Example	Remarks
C186 Quantity details	R		
6063 Quantity type code qualifier	R an..3	+21	21 Ordered quantity
6060 Quantity	R an..35	:1	Ordered quantity
6411 Measurement unit code	O an..3	:PCE'	KGM kilogram PCE Piece (GS1 Temporary Code) LTR litre MTR metre CT carton

This segment is used to specify any quantities related to the current line item.

Example:

QTY+21:1:PCE'

Segments Layout

Group	SG16	Status O	Max. occ.: 9999	CPS-SG17-SG22
Group	SG22	Status O	Max. occ.: 9999	LIN-PIA-QTY-QVR-DTM-SG29
Segment	QVR	No.: 27 Status R	Level: 3 Max. occ.: 10	

Description Quantity variances

Description	Manor	Example	Remarks
C279 Quantity difference information	R		
6064 Quantity variance value	R n..15	+0	Specify the actual variance amount here.
6063 Quantity type code qualifier	R an..3	:46'	46 Delivered quantity 195 Received, not accepted, to be returned Quantity which has been received but not accepted at a given location and which will consequently be returned to the relevant party. 196 Received, not accepted, to be destroyed Quantity which has been received but not accepted at a given location and which will consequently be destroyed.

This segment is used to specify any variances between what was received and accepted and what was ordered/ shipped. If the quantity received and/or accepted is less than the quantity expected by the receiver (e.g. damaged goods not accepted), the value of QVR, DE 6064 must be expressed as a negative. If the quantity received and/or accepted is greater than the quantity expected by the receiver (e.g. overshipped), the value of QVR, DE 6064 must be expressed as a positive.

Example:
QVR+0:46'

Segments Layout

Group	SG16	Status O	Max. occ.: 9999	CPS-SG17-SG22
Group	SG22	Status O	Max. occ.: 9999	LIN-PIA-QTY-QVR-DTM-SG29
Segment	DTM	No.: 28 Status D	Level: 3 Max. occ.: 5	

Description Date/time/period

Description	Manor	Example	Remarks
C507 Date/time/period	R		
2005 Date or time or period function code qualifier	R an..3	+361	361 Best before date The best before date.
2380 Date or time or period value	R an..35	:20220202000000	Best before date
2379 Date or time or period format code	R an..3	:204'	204 CCYYMMDDHHMMSS Calendar date including time with seconds: C=Century

Remark Manor:

DTM+361 Best before date only by Food

A segment providing date or date and time information relevant for the delivery of product.

Example:

DTM+361:20220202000000:204'

Segments Layout

Group	SG16	Status O	Max. occ.: 9999	CPS-SG17-SG22
Group	SG22	Status O	Max. occ.: 9999	LIN-PIA-QTY-QVR-DTM-SG29
Group	SG29	Status D	Max. occ.: 9999	PCI-SG31
Segment	PCI	No.: 29 Status R	Level: 3 Max. occ.: 1	

Description Package identification

Description	Manor	Example	Remarks
4233 Marking instructions code	R an..3	+36E'	36E Marked with batch number (GS1 Temporary Code) Indication that the batch number has been marked on a package.

A segment specifying marking and labels used on identified package(s).

Example:
PCI+36E'

Segments Layout

Group	SG16	Status O	Max. occ.: 9999	CPS-SG17-SG22
Group	SG22	Status O	Max. occ.: 9999	LIN-PIA-QTY-QVR-DTM-SG29
Group	SG29	Status D	Max. occ.: 9999	PCI-SG31
Group	SG31	Status R	Max. occ.: 10	GIN
Segment	GIN	No.: 30 Status R	Level: 4 Max. occ.: 1	

Description Goods identity number

Description	Manor	Example	Remarks
7405 Object identification code qualifier	R an..3	+BX	BX Batch number Unique number affixed by manufacturer to a batch of products produced under similar conditions.
C208 Identity number range	R		
7402 Object identifier	R an..35	+614554165'	Batch number

Remark Manor:

SG29 PCI-SG31-GIN Batch number only by Food

A segment providing identity numbers of packages received or missing.

Example:

GIN+BX+614554165'

Segments Layout

Segment **CNT**
 No.: 31 Level: 0
 Status R Max. occ.: 1

Description Control total

Description	Manor	Example	Remarks
C270 Control	R		
6069 Control total type code qualifier	R an..3	+2	2 Number of line items in message
6066 Control total value	R n..18	:0'	Control total value

This segment is used to provide message control totals.

Example:
CNT+2:4'

Segments Layout

Segment **UNT**
 No.: 32 Level: 0
 Status R Max. occ.: 1

Description Message trailer

Description	Manor	Example	Remarks
0074 Number of segments in a message	R n..10	+24	The total number of segments in the message is detailed here.
0062 Message reference number	R an..14	+1'	The message reference detailed here should equal the one specified in the UNH segment.

This segment is a mandatory UN/EDIFACT segment. It must always be the last segment in the message.

Example:
UNT+24+1'

Segments Layout

Segment **UNZ**
 No.: 33 Level: 0
 Status R Max. occ.: 1

Description Interchange trailer

Description	Manor	Example	Remarks
0036 Interchange control count	R n..6	+1	The total number of messages in the interchange is detailed here.
0020 Interchange control reference	R an..14	+1739'	The interchange reference detailed here should equal the one specified in the UNB segment.

This segment is used to provide the trailer of an interchange.

Example:

UNZ+1+1739'

Example

RECADV without SSCC

UNA:+.? '
UNB+UNOC:3+7612096000005:14+7699999999999:14+211014:0900+1739++++++1'
UNH+2+RECADV:D:01B:UN:EAN006'
BGM+632+ORE00077507+9'
DTM+137:20210719000000:204'
DTM+35:20210720000000:204'
DTM+50:20210717000000:204'
RFF+ON:P008125790'
DTM+171:20210716:102'
RFF+VN:NI1002243'
DTM+171:20210715:102'
RFF+AAK:SV1010629'
DTM+171:20210716:102'
NAD+BY+7612096833665::9'
NAD+SU+0762753000002::9'
NAD+DP+7612096835058::9'
NAD+UC+7612096835058::9'
CPS+1'
LIN+1++4061946442930:SRV'
PIA+1+P0-55731102:IN'
QTY+12:17'
QTY+194:17'
QTY+21:17'
QVR+0:46'
CNT+2:0'
UNT+24+1'
UNZ+1+1739'

Example

RECADV with SSCC and 1 Logistic Level Food

UNA:+.?'
UNB+UNOC:3+7612096000005:14+7699999999999:14+211014:0900+1739++++++1'
UNH+1+RECADV:D:01B:UN:EAN006'
BGM+632+ORE00077490+9'
DTM+137:20210719000000:204'
DTM+35:20211019000000:204'
DTM+50:20021105164000:204'
RFF+AAK:20401345'
DTM+171:20210715:102'
RFF+ON:P008118223'
DTM+171:20210715:102'
RFF+VN:A11007722'
DTM+171:20210715:102'
NAD+BY+7612096831098::9'
NAD+SU+7612435000000::9'
NAD+DP+7612096834754::9'
NAD+UC+7612096834754::9'
CPS+1'
PAC+2++201'
CPS+2+1'
PAC+1++201'
PCI+33E'
GIN+BJ+354123450000000014'
LIN+1++716736052809:UP'
PIA+1+P0-55731102:IN'
QTY+12:17:PCE'
QTY+194:1:PCE'
QTY+21:1:PCE'
QVR+0:46++AC'
DTM+361:20220202000000:204'
PCI+36E'
GIN+BX+614554165'
CPS+3+2'
PAC+1++201'
PCI+33E'
GIN+BJ+354123450000000015'
LIN+1++716736052809:UP'
PIA+1+P0-55731102:IN'
QTY+12:17:PCE'
QTY+194:1:PCE'
QTY+21:1:PCE'
QVR+0:46++AC'
DTM+361:20220202000000:204'
PCI+36E'
GIN+BX+614554165'
CNT+2:0'
UNT+44+1'
UNZ+1+1739'