



PRICAT D.01B in

based on

PRICAT

Price/sales catalogue message

EANCOM® 2002 S4; D.01B

- **Message Description**
- **Branching Diagram**
- **Segment Details**
- **Example message**
- **List of changes**

Version 1.3
Variant final
Version date 23.07.2024

Documentation conventions

Format

as described in column "Format" of segment details

Character type:

a :alphabetic characters

n :numeric characters

an :alpha-numeric characters

Status indicators

as described in column "St" of segment details

(R)quired

Indicates that the entity is required and must be sent. (This status is set by EANCOM®.)

(O)ptional

Indicates that the entity is conditional and may be sent at the discretion of the user.

(D)ependent

Indicates that the entity must be sent in certain conditions, as defined by the relevant explanatory note.

(A)dvised

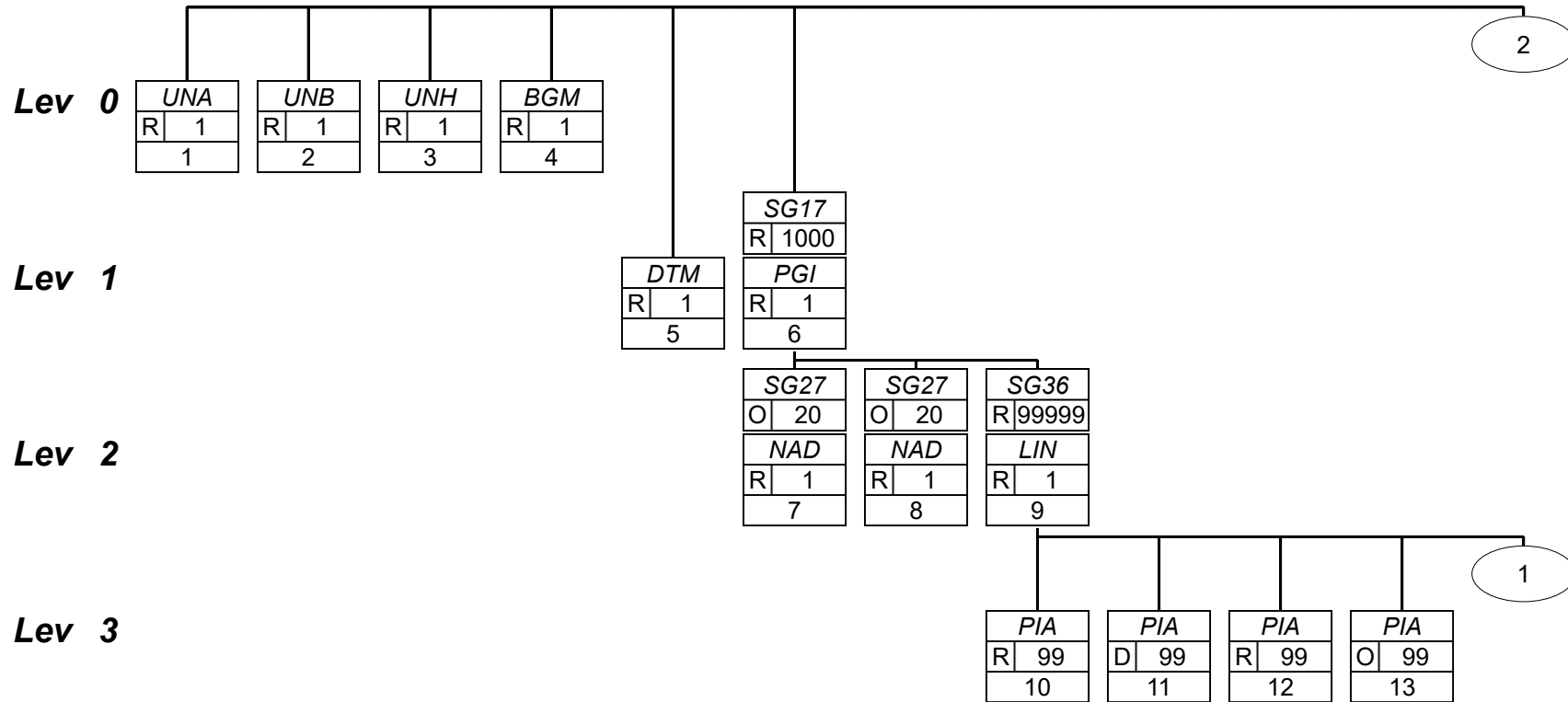
Indicates that the entity is being advised.

(N)ot used

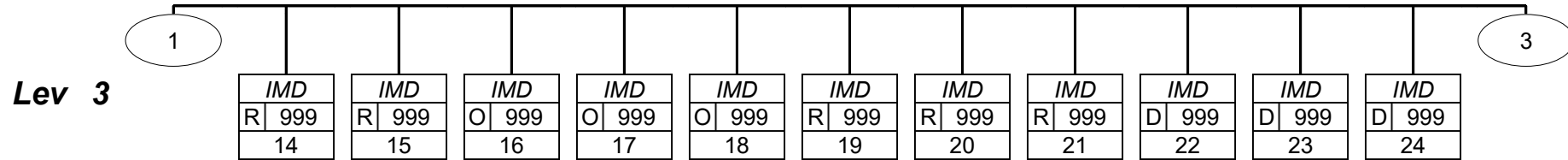
Indicates that the entity is not used.

PRICAT D.01B in

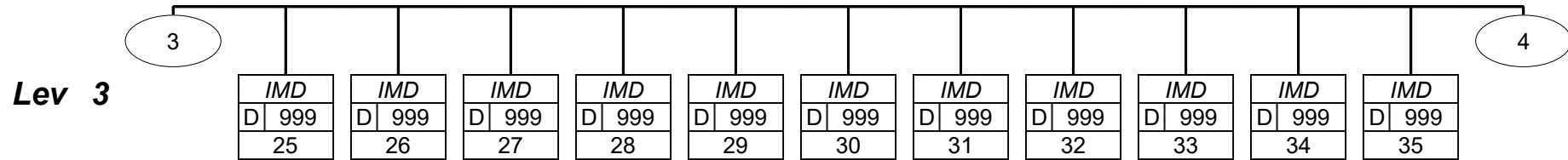
Branching diagram



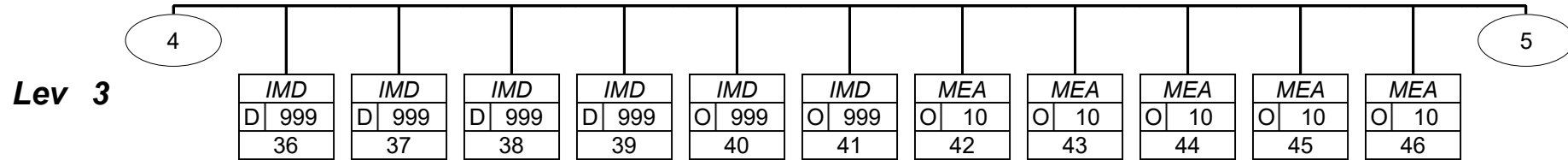
Branching diagram



Branching diagram

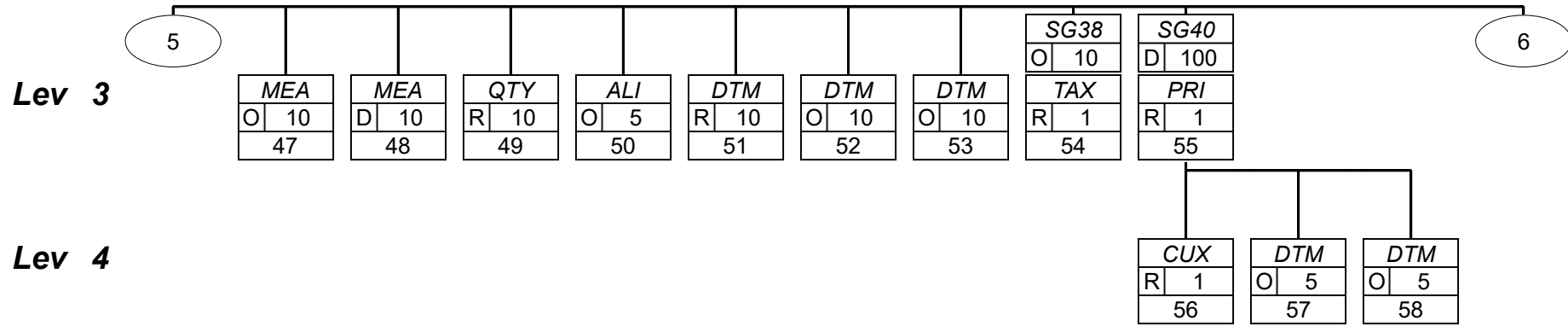


Branching diagram



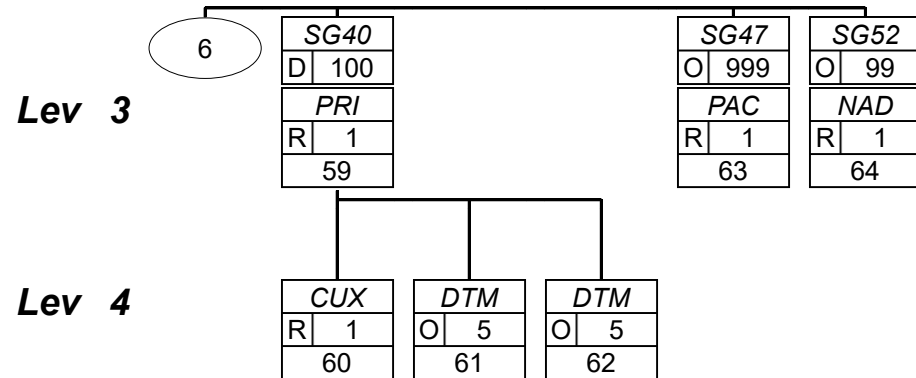
PRICAT D.01B in

Branching diagram

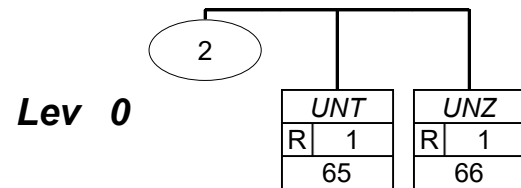


PRICAT D.01B in

Branching diagram



Branching diagram



Segments Layout

Segment

UNA

No.: 1
Status R

Level: 0
Max. occ.: 1

Service string advice

Description Service string advice

Description	Manor	Example	Remarks
UNA1 Component data element separator	R an1	:	Used as a separator between component data elements contained within a composite data element (value ":").
UNA2 Data element separator	R an1	+	Used to separate two simple or composite data elements (value: "+").
UNA3 Decimal mark	R an1	.	Used to indicate the character used for decimal notation (value: ".").
UNA4 Release character	R an1	?	Used to restore any service character to its original specification (value: "?").
UNA5 Repetition separator	R an1	*	Used to indicate the character used for repetition separation (value: " * ").
UNA6 Segment terminator	R an1	'	Used to indicate the end of segment data (value: " ' ").

This segment is used to inform the receiver of the interchange about the set of service characters (and decimal mark) which are being used. It must immediately precede the UNB segment and contains the five service characters (positions UNA1, UNA2, UNA3, UNA4, UNA5 and UNA6) selected by the interchange sender. When expressing the service characters in the UNA segment, it is not necessary to include any element separators. Within EANCOM®, using the default set of Service characters, the use of the UNA segment is not required.

Example:

UNA:+.?*

Segments Layout

Segment

UNB

No.: 2
Status R

Level: 0
Max. occ.: 1

Interchange header

Description Interchange header

Description	Manor	Example	Remarks
S001 Syntax identifier	R		
0001 Syntax identifier	R a4	+UNOC	UNOC UN/ECE level C As defined in ISO 8859-1 : Information processing - Part 1: Latin alphabet No. 1.
0002 Syntax version number	R an1	:4	4 Version 4 ISO 9735:1998.
S002 Interchange sender	R		
0004 Interchange sender identification	R an..35	+3013404404425	Within EANCOM® the use of the Global Location Number (GLN) is recommended for the identification of the interchange sender and recipient. Format n13
0007 Identification code qualifier	R an..4	:14	14 EAN International EAN International, based in Belgium, is an organization of EAN Member Organizations that jointly manages the EAN.UCC System with the Uniform Code Council.
0008 Interchange sender internal identification	O an..35	:7612096000005	Within EANCOM® the use of the Global Location Number (GLN) is recommended for the identification of the interchange sender and the interchange sender internal identification (rerouting) Format n13
S003 Interchange recipient	R		
0010 Interchange recipient identification	R an..35	+7612096000005	Within EANCOM® the use of the Global Location Number (GLN) is recommended for the identification of the interchange sender and recipient. Format n13 Manor GLN 7612096000005 = productive GLN 7612096000487 = test GLN
0007 Identification code qualifier	R an..4	:14	14 EAN International EAN International, based in Belgium, is an organization of EAN Member Organizations that jointly manages the EAN.UCC System with the Uniform Code Council.
S004 Date and time of preparation	R		
0017 Date	R n8	+20240723	Format CCYYMMDD
0019 Time	R n4	:1513	Format HHmm
0020 Interchange control reference	R an..14	+24	Interchange reference Unique reference identifying the interchange. Created by

Segments Layout

Description	Manor	Example	Remarks
S005 Recipient reference/ password details	N		the interchange sender.
0022 Recipient reference/ password	N an..14	+	
0026 Application reference	N an..14	+	
0029 Processing priority code	N a1	+	
0031 Acknowledgement request	N n1	+	
0032 Interchange agreement identifier	R an..35	+PRICATD01B	
0035 Test indicator	D n1	+1'	

This segment is used to envelope the interchange, as well as to identify both, the party to whom the interchange is sent and the party who has sent the interchange. The principle of the UNB segment is the same as a physical envelope which covers one or more letters or documents, and which details, both the address where delivery is to take place and the address from where the envelope has come.

Example:

UNB+UNOC:4+7600123459872:14:7600123456789+7612096000005:14+20240723:
1513+24+++++PRICATD01B+1' - rerouting GLN included

UNB+UNOC:4+7600123456789:14+7612096000005:14+20240723:1513+24+++++PRICATD01B+1' -
without rerouting GLN

Segments Layout

Segment **UNH** No.: 3 Level: 0 Message header
 Status R Max. occ.: 1

Description Message header

Description	Manor	Example	Remarks
0062 Message reference number	R an..14	+1	Senders unique message reference.
S009 Message identifier	R		
0065 Message type	R an..6	+PRICAT	PRICAT Price/sales catalogue message A code to identify the price/sales catalogue message.
0052 Message version number	R an..3	:D	D Draft version/UN/EDIFACT Directory Message approved and issued as a draft message (Valid for directories published after March 1993 and prior to March 1997). Message approved as a standard message (Valid for directories published after March 1997).
0054 Message release number	R an..3	:01B	01B Release 2001 - B Message approved and issued in the second 2001 release of the UNTDID (United Nations Trade Data Interchange Directory).
0051 Controlling agency, coded	R an..3	:EN	EN EAN International EAN International, based in Belgium, is an organization of EAN Member Organizations that jointly manages the EAN.UCC System with the Uniform Code Council. Notes: THIS CODE WAS DELETED ON 01.12.2001
0057 Association assigned code	R an..6	:GDSN20'	GDSN20 GDSN 2.0 (GS1 Code)

This segment is used to head, identify and specify a message. DE's 0065, 0052, 0054, and 0051: Indicate that the message is a UNSM Price/Sales Catalogue based on the D.01B directory under the control of the United Nations.

Example:

UNH+1+PRICAT:D:01B:EN:GDSN20'

Segments Layout

Segment **BGM** No.: 4 Level: 0 Beginning of message
 Status R Max. occ.: 1

Description Beginning of message

Description	Manor	Example	Remarks
C002 Document/message name	R		
1001 Document name code	R an..3	+9	9 Price/sales catalogue A document/message to enable the transmission of information regarding pricing and catalogue details for goods and services offered by a seller to a buyer.
C106 Document/message identification	R		
1004 Document identifier	R an..35	+334119623	Document number Price/sales catalogue message number. For global unique identification of documents Global Document Type Identifier (GDTI) is available.
1225 Message function code	R an..3	+9'	9 Original Initial transmission related to a given transaction.

This segment is used to indicate the type and function of a message and to transmit the identifying number. All references other than the document number DE 1004 are in the RFF segment.

Example:
 BGM+9+334119623+9'

Segments Layout

Segment	DTM	No.: 5	Level: 1	Date/time/period
		Status R	Max. occ.: 1	

Description Date/time/period

Description	Manor	Example	Remarks
C507 Date/time/period	R		
2005 Date or time or period function code qualifier	R an..3	+137	137 Document/message date/time (2006) Date/time when a document/message is issued. This may include authentication.
2380 Date or time or period value	R an..35	:20210413151335	Document date
2379 Date or time or period format code	D an..3	:204'	102 CCYYMMDD Calendar date: C = Century M = Month ; D = Day ;;;;
			203 CCYYMMDDHHMM Calendar date including time with minutes: C=Century M=Month; D=Day; H=Hour; M=Minutes.;;;;
			204 CCYYMMDDHHMMSS Calendar date including time with seconds: C=Century M=Month;D=Day;H=Hour;M=Minute;S=Second.;;;;

This segment is used to specify the date or period of the Price/Sales Catalogue. DE 2005: Identification of the 'Document/message date/time' (code value 137) is mandatory in an EANCOM message.

Example:

DTM+137:20210413151335:204'
 DTM+137:202104131513:203'
 DTM+137:20210413:102'

Segments Layout

Group **SG17** Status R Max. occ.: 1000 PGI-SG27-SG36

Segment **PGI** No.: 6 Level: 1 **Product group information**
 Status R Max. occ.: 1

Description Product group information

Description	Manor	Example	Remarks
5379 Product group type code	R an..3	+14	14 Geographical target market division/ subdivision code.
C288 Product group	R		
5389 Product group name code	R an..25	+CH	ISO3166-1 Code for Target Market Country Code.
1131 Code list identification code	N an..17	:	
3055 Code list responsible agency code	R an..3	:5'	5 ISO (International Organization for Standardization)

This segment is used to group a set of related products together. The detail section of the Price/Sales Catalogue starts with the PGI segment. PGI is used to group products, by price, by product type, by buying group, and/or by supplier/manufacturer.

Example:
 PGI+14+CH::5'

Segments Layout

Group	SG17	Status R	Max. occ.: 1000	PGI-SG27-SG36
Group	SG27	Status O	Max. occ.: 20	NAD+BY
Segment	NAD	No.: 7 Status R	Level: 2 Max. occ.: 1	GLN and Name Buyer

Description Name and address

Description	Manor	Example	Remarks
3035 Party function code qualifier	R an..3	+BY	BY Buyer Party to whom merchandise and/or service is sold.
C082 Party identification details	R		
3039 Party identifier	R an..35	+7612096000005	GLN of buyer Format n13
1131 Code list identification code	N an..17	:	
3055 Code list responsible agency code	R an..3	:9'	9 EAN (International Article Numbering association)

This segment group is used to specify names and addresses relevant to the current pricing or product grouping.

Example:

NAD+BY+7612096000005::9++MANOR AG'

Segments Layout

Group	SG17	Status R	Max. occ.: 1000	PGI-SG27-SG36
Group	SG27	Status O	Max. occ.: 20	NAD+IPD
Segment	NAD	No.: 8 Status R	Level: 2 Max. occ.: 1	GLN, information provider name from supplier

Description Name and address

Description	Manor	Example	Remarks
3035 Party function code qualifier	R an..3	+IPD	IPD Article information party (EAN Code) The party in a company who is responsible for the pricing or other article information. The PRICAT or PRODAT messages may be requested from or sent by this party. DE3035, the code qualifier IPD Replaced SU.
C082 Party identification details	R		
3039 Party identifier	R an..35	+5412345678908	GLN of supplier Format n13
1131 Code list identification code	N an..17	:	
3055 Code list responsible agency code	R an..3	:9'	9 EAN (International Article Numbering association)

This segment group is used to specify names and addresses relevant to the current pricing or product grouping.

Example:

NAD+IPD+5412345678908::9++XXX Groupe'

Segments Layout

Group	SG17	Status R	Max. occ.: 1000	PGI-SG27-SG36
Group	SG36	Status R	Max. occ.: 999999	LIN-PIA-IMD-MEA-QTY-ALI-DTM-SG38-SG40-SG47-SG52
Segment	LIN	No.: 9 Status R	Level: 2 Max. occ.: 1	Line item and GTIN number of the article

Description Line item

Description	Manor	Example	Remarks
1082 Line item identifier	R an..6	+1	Application generated number of the lines or sub-lines within the Price/Sales Catalogue message.
1229 Action request/notification description code	R an..3	+1	1 Added The information is to be or has been added.
C212 Item number identification	D		
7140 Item identifier	R an..35	+7613364077446	GTIN - this is the number of the article.
7143 Item type identification code	R an..3	:SRV'	SRV EAN.UCC Global Trade Item Number A unique number, up to 14-digits, assigned according to the numbering structure of the EAN.UCC system. 'EAN' stands for the 'International Article Numbering Association', and 'UCC' for the 'Uniform Code Council'.

Remark Manor:

DE 1229 Qualifier "2 Deleted", "3 Changed" and "96 Correction of error" are currently not used

This segment is used to identify the GTIN of a product. If Global Trade Item Numbers are available it is mandatory to use GTIN within the LIN segment. First LIN segment will contain common information. Following LINs with the same GTIN will contain specific information per trading partner. The GLN of the trading partner will be detailed in NAD Segment.

Example:

LIN+1+1+7613364077446:SRV'

Segments Layout

Group	SG17	Status R	Max. occ.: 1000	PGI-SG27-SG36
Group	SG36	Status R	Max. occ.: 999999	LIN-PIA-IMD-MEA-QTY-ALI-DTM-SG38-SG40-SG47-SG52
Segment	PIA	No.: 10 Status R	Level: 3 Max. occ.: 99	Supplier's article number

Description Additional product id

Description	Manor	Example	Remarks
4347 Product identifier code qualifier	R an..3	+1	Product Id function, coded has the following restricted coded functions: 1 - Additional identification - used to identify additional or replacement item identification codes, such as the seller's item number here.
C212 Item number identification	R		1 Additional identification Information which specifies and qualifies product identifications.
7140 Item identifier	R an..35	+30023374	Supplier's article number
7143 Item type identification code	R an..3	:SA'	SA Supplier's article number Number assigned to an article by the supplier of that article.

This segment is used to identify additional or substitutional item identification codes such as buyer's, or seller's item number.

Example:

PIA+1+30023374:SA'

Segments Layout

Group	SG17	Status R	Max. occ.: 1000	PGI-SG27-SG36
Group	SG36	Status R	Max. occ.: 999999	LIN-PIA-IMD-MEA-QTY-ALI-DTM-SG38-SG40-SG47-SG52
Segment	PIA	No.: 11 Status D	Level: 3 Max. occ.: 99	Gtin of a replacement article

Description Additional product id

Description	Manor	Example	Remarks
4347 Product identifier code qualifier	R an..3	+1	Product Id function, coded has the following restricted coded functions: 1 - Additional identification - used to identify additional or replacement item identification codes, such as provide the gloabl trade item number of a product which has been substituted for the product identified by the GTIN provided in the LIN segment. In the Price/Sales Catalogue this function code may be used to inform trading partners of an number change relevant to a product. In this case, the LIN segment will contain the new number and the 'Substituted for' PIA segment will identify the old trade item number which has been substituted. 1 Additional identification Information which specifies and qualifies product identifications.
C212 Item number identification	R		
7140 Item identifier	D an..35	+3340443282340	Gtin of a replacement article
7143 Item type identification code	R an..3	:SRV'	SRV EAN.UCC Global Trade Item Number A unique number, up to 14-digits, assigned according to the numbering structure of the EAN.UCC system. 'EAN' stands for the 'International Article Numbering Association', and 'UCC' for the 'Uniform Code Council'.

This segment is used to identify additional or substitutional item identification codes such as buyer's, or seller's item number.

Example:

PIA+1+3340443282340:SRV'

Segments Layout

Group	SG17	Status R	Max. occ.: 1000	PGI-SG27-SG36
Group	SG36	Status R	Max. occ.: 999999	LIN-PIA-IMD-MEA-QTY-ALI-DTM-SG38-SG40-SG47-SG52
Segment	PIA	No.: 12 Status R	Level: 3 Max. occ.: 99	Brick Code (GS1 Code)

Description Additional product id

Description	Manor	Example	Remarks
4347 Product identifier code qualifier	R an..3	+1	Product Id function, coded has the following restricted coded functions: 1 - Additional identification - used to identify additional or replacement item identification codes, such as the Brick Code number here. 1 Additional identification Information which specifies and qualifies product identifications.
C212 Item number identification	R		
7140 Item identifier	R an..35	+10000040	Brick Code
7143 Item type identification code	R an..3	:BRI	BRI Brick Code (GS1 Code)
1131 Code list identification code	N an..17	:	
3055 Code list responsible agency code	O an..3	:9'	9 EAN (International Article Numbering association)

Remark Manor:

Please search the Brick Code, GPC Brick attribute type and GPC Brick attribute value into:

<http://www.gs1.org/1/productssolutions/gdsn/gpc/browser/index.html>

This segment is used to identify additional or substitutional item identification codes such as buyer's, or seller's item number.

Example:

PIA+1+10000040:BRI::9'

Segments Layout

Group	SG17	Status R	Max. occ.: 1000	PGI-SG27-SG36
Group	SG36	Status R	Max. occ.: 999999	LIN-PIA-IMD-MEA-QTY-ALI-DTM-SG38-SG40-SG47-SG52
Segment	PIA	No.: 13 Status O	Level: 3 Max. occ.: 99	GPC Brick attribute type and value (GS1 Code)

Description Additional product id

Description	Manor	Example	Remarks
4347 Product identifier code qualifier	R an..3	+1	Product Id function, coded has the following restricted coded functions: 1 - Additional identification - used to identify additional or replacement item identification codes, such as the GPC Brick attribute type and value (GS1 Code) here. 1 Additional identification Information which specifies and qualifies product identifications.
C212 Item number identification	R		
7140 Item identifier	R an..35	+20000140	GPC Brick attribute type
7143 Item type identification code	R an..3	:GAT	GAT GPC Brick attribute type (GS1 Code)
1131 Code list identification code	N an..17	:	
3055 Code list responsible agency code	O an..3	:9	9 EAN (International Article Numbering association)
C212 Item number identification	D		
7140 Item identifier	R an..35	+30002903	GPC Brick attribute value
7143 Item type identification code	R an..3	:GAV	GAV GPC Brick attribute value (GS1 Code)
1131 Code list identification code	N an..17	:	
3055 Code list responsible agency code	O an..3	:9'	9 EAN (International Article Numbering association)

Remark Manor:

Please search the Brick Code, GPC Brick attribute type and GPC Brick attribute value into:
<http://www.gs1.org/1/productssolutions/gdsn/gpc/browser/index.html>

This segment is used to identify additional or substitutional item identification codes such as buyer's, or seller's item number.

Example:

PIA+1+20000140:GAT::9+30002903:GAV::9'

Segments Layout

Group	SG17	Status R	Max. occ.: 1000	PGI-SG27-SG36
Group	SG36	Status R	Max. occ.: 999999	LIN-PIA-IMD-MEA-QTY-ALI-DTM-SG38-SG40-SG47-SG52
Segment	IMD	No.: 14 Status R	Level: 3 Max. occ.: 999	Trade Item is a consumer unit

Description Item description

Description	Manor	Example	Remarks
7077 Description format code	R an..3	+C	This DE qualifies the type of description as: free-form, free form long, free form short or free form PLU. The actual text descriptions are provided in one or more occurrences of DE 7008. C Code (from industry code list) Description of an item in coded format.
C272 Item characteristic	N		
7081 Item characteristic code	N an..3	+	
C273 Item description	R		
7009 Item description code	R an..17	+CU	CU Consumer unit (EAN Code) The package size of a product or products agreed by trading partners as the size sold at the retail point of sale.
1131 Code list identification code	N an..17	:	
3055 Code list responsible agency code	O an..3	:9'	9 EAN (International Article Numbering association)

Use this segment to describe the line item. Include product descriptions only for new or updated products. For promotional details, use DE 7233 in the PAC segment.

Example:

IMD+C++CU::9'

Segments Layout

Group	SG17	Status R	Max. occ.: 1000	PGI-SG27-SG36
Group	SG36	Status R	Max. occ.: 999999	LIN-PIA-IMD-MEA-QTY-ALI-DTM-SG38-SG40-SG47-SG52
Segment	IMD	No.: 15 Status R	Level: 3 Max. occ.: 999	Trade item is a Base Unit

Description Item description

Description	Manor	Example	Remarks
7077 Description format code	R an..3	+C	This DE qualifies the type of description as: free-form, free form long, free form short or free form PLU. The actual text descriptions are provided in one or more occurrences of DE 7008. C Code (from industry code list) Description of an item in coded format.
C272 Item characteristic	N		
7081 Item characteristic code	N an..3	+	
C273 Item description	R		BU Base unit (EAN Code) The lowest level packaged unit for a given product, which may or may not be the consumer unit.
7009 Item description code	R an..17	+BU	
1131 Code list identification code	N an..17	:	
3055 Code list responsible agency code	O an..3	:9'	9 EAN (International Article Numbering association)

Use this segment to describe the line item. Include product descriptions only for new or updated products. For promotional details, use DE 7233 in the PAC segment.

Example:

IMD+C++BU::9'

Segments Layout

Group	SG17	Status R	Max. occ.: 1000	PGI-SG27-SG36
Group	SG36	Status R	Max. occ.: 999999	LIN-PIA-IMD-MEA-QTY-ALI-DTM-SG38-SG40-SG47-SG52
Segment	IMD	No.: 16 Status O	Level: 3 Max. occ.: 999	Despatch unit

Description Item description

Description	Manor	Example	Remarks
7077 Description format code	R an..3	+C	This DE qualifies the type of description as: free-form, free form long, free form short or free form PLU. The actual text descriptions are provided in one or more occurrences of DE 7008. C Code (from industry code list) Description of an item in coded format.
C272 Item characteristic	N		
7081 Item characteristic code	N an..3	+	
C273 Item description	R		
7009 Item description code	R an..17	+DU	DU Despatch unit (EAN Code) The package size of a product or products which may be shipped when fulfilling an order.
1131 Code list identification code	N an..17	:	
3055 Code list responsible agency code	O an..3	:9'	9 EAN (International Article Numbering association)

Use this segment to describe the line item. Include product descriptions only for new or updated products. For promotional details, use DE 7233 in the PAC segment.

Example:

IMD+C++DU::9'

Segments Layout

Group	SG17	Status R	Max. occ.: 1000	PGI-SG27-SG36
Group	SG36	Status R	Max. occ.: 999999	LIN-PIA-IMD-MEA-QTY-ALI-DTM-SG38-SG40-SG47-SG52
Segment	IMD	No.: 17 Status O	Level: 3 Max. occ.: 999	Ordering unit

Description Item description

Description	Manor	Example	Remarks
7077 Description format code	R an..3	+C	This DE qualifies the type of description as: free-form, free form long, free form short or free form PLU. The actual text descriptions are provided in one or more occurrences of DE 7008. C Code (from industry code list) Description of an item in coded format.
C272 Item characteristic	N		
7081 Item characteristic code	N an..3	+	
C273 Item description	R		ORU Ordering unit (EAN Code) Indication that the current product is an ordering unit (ordering unit will not normally equal invoicing unit).
7009 Item description code	R an..17	+ORU	
1131 Code list identification code	N an..17	:	
3055 Code list responsible agency code	O an..3	:9'	9 EAN (International Article Numbering association)

Use this segment to describe the line item. Include product descriptions only for new or updated products. For promotional details, use DE 7233 in the PAC segment.

Example:

IMD+C++ORU::9'

Segments Layout

Group	SG17	Status R	Max. occ.: 1000	PGI-SG27-SG36
Group	SG36	Status R	Max. occ.: 999999	LIN-PIA-IMD-MEA-QTY-ALI-DTM-SG38-SG40-SG47-SG52
Segment	IMD	No.: 18 Status O	Level: 3 Max. occ.: 999	Invoicing unit

Description Item description

Description	Manor	Example	Remarks
7077 Description format code	R an..3	+C	This DE qualifies the type of description as: free-form, free form long, free form short or free form PLU. The actual text descriptions are provided in one or more occurrences of DE 7008. C Code (from industry code list) Description of an item in coded format.
C272 Item characteristic	N		
7081 Item characteristic code	N an..3	+	
C273 Item description	R		
7009 Item description code	R an..17	+IN	IN Invoicing unit (EAN Code) The package size of a product or products which will be used as the unit on which the buyer is invoiced.
1131 Code list identification code	N an..17	:	
3055 Code list responsible agency code	O an..3	:9'	9 EAN (International Article Numbering association)

Use this segment to describe the line item. Include product descriptions only for new or updated products. For promotional details, use DE 7233 in the PAC segment.

Example:

IMD+C++IN::9'

Segments Layout

Group	SG17	Status R	Max. occ.: 1000	PGI-SG27-SG36
Group	SG36	Status R	Max. occ.: 999999	LIN-PIA-IMD-MEA-QTY-ALI-DTM-SG38-SG40-SG47-SG52
Segment	IMD	No.: 19 Status R	Level: 3 Max. occ.: 999	Trade Item long description

Description Item description

Description	Manor	Example	Remarks
7077 Description format code	R an..3	+F	This DE qualifies the type of description as: free-form, free form long, free form short or free form PLU. The actual text descriptions are provided in one or more occurrences of DE 7008. F Free-form Description of an item in free form text.
C272 Item characteristic	R		
7081 Item characteristic code	R an..3	+DSC	DSC Description (EAN Code) A non-structured description of a product.
1131 Code list identification code	N an..17	:	
3055 Code list responsible agency code	O an..3	:9	9 EAN (International Article Numbering association)
C273 Item description	R		
7009 Item description code	N an..17	+	
1131 Code list identification code	N an..17	:	
3055 Code list responsible agency code	N an..3	:	
7008 Item description	R an..25	:11 Saturn2-J 1001002 Dark Blue 102	Item long description Format an..40
7008 Item description	N an..25	:	
3453 Language name code	R an..3	:DE'	DE German EN English FR French IT Italian

Use this segment to describe the line item. Include product descriptions only for new or updated products. For promotional details, use DE 7233 in the PAC segment.

Example:

IMD+F+DSC::9+:::11 Saturn2-J 1001002 Dark Blue 102:::DE'

Segments Layout

Group	SG17	Status R	Max. occ.: 1000	PGI-SG27-SG36
Group	SG36	Status R	Max. occ.: 999999	LIN-PIA-IMD-MEA-QTY-ALI-DTM-SG38-SG40-SG47-SG52
Segment	IMD	No.: 20 Status R	Level: 3 Max. occ.: 999	Supplier article information

Description Item description

Description	Manor	Example	Remarks
7077 Description format code	R an..3	+B	This DE qualifies the type of description as: free-form, free form long, free form short or free form PLU. The actual text descriptions are provided in one or more occurrences of DE 7008. B Code and text Description of an item in coded and free form text.
C272 Item characteristic	R		
7081 Item characteristic code	R an..3	+XY3	XY3 Trade item group identification (GS1 Code)
1131 Code list identification code	N an..17	:	
3055 Code list responsible agency code	O an..3	:9	9 EAN (International Article Numbering association)
C273 Item description	D		
7009 Item description code	R an..17	+1042402535	Supplier article number
1131 Code list identification code	N an..17	:	
3055 Code list responsible agency code	O an..3	:91	91 Assigned by supplier or supplier's agent
7008 Item description	R an..25	:Manufacture Rock blanc - Soup bowl 12,5x12,5x6,5cm	Supplier article description
7008 Item description	O an..25	:	
3453 Language name code	D an..3	:EN'	DE German EN English FR French IT Italian

Use this segment to describe the line item. Include product descriptions only for new or updated products. For promotional details, use DE 7233 in the PAC segment.

Example:

IMD+B+XY3::9+1042402535::91:Manufacture Rock blanc - Soup bowl 12,5x12,5x6,5cm::EN'

Segments Layout

Group	SG17	Status R	Max. occ.: 1000	PGI-SG27-SG36
Group	SG36	Status R	Max. occ.: 999999	LIN-PIA-IMD-MEA-QTY-ALI-DTM-SG38-SG40-SG47-SG52
Segment	IMD	No.: 21 Status R	Level: 3 Max. occ.: 999	Brand Name

Description Item description

Description	Manor	Example	Remarks
7077 Description format code	R an..3	+F	This DE qualifies the type of description as: free-form, free form long, free form short or free form PLU. The actual text descriptions are provided in one or more occurrences of DE 7008. F Free-form Description of an item in free form text.
C272 Item characteristic	R		
7081 Item characteristic code	R an..3	+BRN	BRN Brand name (EAN Code) Brand name used by the manufacturer for a product.
1131 Code list identification code	N an..17	:	
3055 Code list responsible agency code	O an..3	:9	9 EAN (International Article Numbering association)
C273 Item description	R		
7009 Item description code	N an..17	+	
1131 Code list identification code	N an..17	:	
3055 Code list responsible agency code	N an..3	:	
7008 Item description	R an..25	:MORGAN'	Brand name

Use this segment to describe the line item. Include product descriptions only for new or updated products. For promotional details, use DE 7233 in the PAC segment.

Example:

IMD+F+BRN::9+:::MORGAN'

Segments Layout

Group	SG17	Status R	Max. occ.: 1000	PGI-SG27-SG36
Group	SG36	Status R	Max. occ.: 999999	LIN-PIA-IMD-MEA-QTY-ALI-DTM-SG38-SG40-SG47-SG52
Segment	IMD	No.: 22 Status D	Level: 3 Max. occ.: 999	Color code

Description Item description

Note defining the type of branch for which Manor expects (X) or doesn't expect () the segment!

Fashion (incl. Sport, Travel & Jewelry)	X
Home (incl. Stationery)	X
Beauty	X
Multimedia (incl. Books)	X
Toys	X
Food and Nearfood	

Description	Manor	Example	Remarks
7077 Description format code	R an..3	+C	This DE qualifies the type of description as: free-form, free form long, free form short or free form PLU. The actual text descriptions are provided in one or more occurrences of DE 7008. C Code (from industry code list) Description of an item in coded format.
C272 Item characteristic	R		
7081 Item characteristic code	R an..3	+35	35 Colour Description of the colour required/ available on the product.
C273 Item description	R		
7009 Item description code	R an..17	+011	Colour code
1131 Code list identification code	N an..17	:	
3055 Code list responsible agency code	O an..3	:91	91 Assigned by supplier or supplier's agent
7008 Item description	R an..25	:NOIR'	Colour designation

Remark Manor:

DE 7009 Colour codes must be checked with Manor.

Use this segment to describe the line item. Include product descriptions only for new or updated products. For promotional details, use DE 7233 in the PAC segment.

Example:

IMD+C+35+011::91:NOIR'

Segments Layout

Group	SG17	Status R	Max. occ.: 1000	PGI-SG27-SG36
Group	SG36	Status R	Max. occ.: 999999	LIN-PIA-IMD-MEA-QTY-ALI-DTM-SG38-SG40-SG47-SG52
Segment	IMD	No.: 23 Status D	Level: 3 Max. occ.: 999	Size value code

Description Item description

Note defining the type of branch for which Manor expects (X) or doesn't expect () the segment!

Fashion (incl. Sport, Travel & Jewelry)	X
Home (incl. Stationery)	X
Beauty	X
Multimedia (incl. Books)	X
Toys	X
Food and Nearfood	

Description	Manor	Example	Remarks
7077 Description format code	R an..3	+C	This DE qualifies the type of description as: free-form, free form long, free form short or free form PLU. The actual text descriptions are provided in one or more occurrences of DE 7008. C Code (from industry code list) Description of an item in coded format.
C272 Item characteristic	R		
7081 Item characteristic code	R an..3	+98	98 Size Description of size in non-numeric terms.
C273 Item description	R		
7009 Item description code	R an..17	+T38	Size
1131 Code list identification code	N an..17	:	
3055 Code list responsible agency code	O an..3	:91'	91 Assigned by supplier or supplier's agent

Use this segment to describe the line item. Include product descriptions only for new or updated products. For promotional details, use DE 7233 in the PAC segment.

Example:

IMD+C+98+T38::91'

Segments Layout

Group	SG17	Status R	Max. occ.: 1000	PGI-SG27-SG36
Group	SG36	Status R	Max. occ.: 999999	LIN-PIA-IMD-MEA-QTY-ALI-DTM-SG38-SG40-SG47-SG52
Segment	IMD	No.: 24 Status D	Level: 3 Max. occ.: 999	Season parameter

Description Item description

Note defining the type of branch for which Manor expects (X) or doesn't expect () the segment!

Fashion (incl. Sport, Travel & Jewelry)	X
Home (incl. Stationery)	X
Beauty	X
Multimedia (incl. Books)	
Toys	X
Food and Nearfood	

Description	Manor	Example	Remarks
7077 Description format code	R an..3	+C	This DE specifies description type: free-form, long, short, or PLU. Descriptions are in DE 7008. C Code (from industry code list) Description of an item in coded format.
C272 Item characteristic	R		
7081 Item characteristic code	R an..3	+XX7	XX7 Season parameter (GS1 Code)
1131 Code list identification code	N an..17	:	
3055 Code list responsible agency code	O an..3	:9	9 EAN (International Article Numbering association)
C273 Item description	R		
7009 Item description code	D an..17	+SMR	Seasonal code SMR Summer (GS1 Code) WNT Winter (GS1 Code) D Available all the year round (EAN Code) The product is available all the year round. AUT Autumn (GS1 Code) SPR Spring (GS1 Code)
1131 Code list identification code	N an..17	:	
3055 Code list responsible agency code	O an..3	:9	9 EAN (International Article Numbering association)
7008 Item description	R an..25	:2021'	Seasonal year

Use this segment to describe the line item. Include product descriptions only for new or updated products. For promotional details, use DE 7233 in the PAC segment.

Example:

IMD+C+XX7::9+SMR::9:2021'

Segments Layout

Group	SG17	Status R	Max. occ.: 1000	PGI-SG27-SG36
Group	SG36	Status R	Max. occ.: 999999	LIN-PIA-IMD-MEA-QTY-ALI-DTM-SG38-SG40-SG47-SG52
Segment	IMD	No.: 25 Status D	Level: 3 Max. occ.: 999	Target Consumer Gender

Description Item description

Note defining the type of branch for which Manor expects (X) or doesn't expect () the segment!

Fashion (incl. Sport, Travel & Jewelry)	
Home (incl. Stationery)	
Beauty	X
Multimedia (incl. Books)	
Toys	X
Food and Nearfood	

Description	Manor	Example	Remarks
7077 Description format code	R an..3	+F	This DE qualifies the type of description as: free-form, free form long, free form short or free form PLU. The actual text descriptions are provided in one or more occurrences of DE 7008. F Free-form Description of an item in free form text.
C272 Item characteristic	R		
7081 Item characteristic code	R an..3	+XX9	XX9 Target Consumer Gender (GS1 Code)
1131 Code list identification code	N an..17	:	
3055 Code list responsible agency code	O an..3	:9	9 EAN (International Article Numbering association)
C273 Item description	R		
7009 Item description code	R an..17	+FEM	Gender code FEM Female (GS1 Code) MAL Male (GS1 Code) UNI Unisex (GS1 Code)
1131 Code list identification code	N an..17	:	
3055 Code list responsible agency code	O an..3	:9'	9 EAN (International Article Numbering association)

Use this segment to describe the line item. Include product descriptions only for new or updated products. For promotional details, use DE 7233 in the PAC segment.

Example:

IMD+F+XX9::9+FEM::9'

Segments Layout

Group	SG17	Status R	Max. occ.: 1000	PGI-SG27-SG36
Group	SG36	Status R	Max. occ.: 999999	LIN-PIA-IMD-MEA-QTY-ALI-DTM-SG38-SG40-SG47-SG52
Segment	IMD	No.: 26 Status D	Level: 3 Max. occ.: 999	Target consumer age

Description Item description

Note defining the type of branch for which Manor expects (X) or doesn't expect () the segment!

Fashion (incl. Sport, Travel & Jewelry)	
Home (incl. Stationery)	
Beauty	X
Multimedia (incl. Books)	X
Toys	X
Food and Nearfood	X

Description	Manor	Example	Remarks
7077 Description format code	R an..3	+F	This DE qualifies the type of description as: free-form, free form long, free form short or free form PLU. The actual text descriptions are provided in one or more occurrences of DE 7008. F Free-form Description of an item in free form text.
C272 Item characteristic	R		
7081 Item characteristic code	R an..3	+XX8	XX8 Target Consumer Age (GS1 Code)
1131 Code list identification code	N an..17	:	
3055 Code list responsible agency code	O an..3	:9	9 EAN (International Article Numbering association)
C273 Item description	R		
7009 Item description code	N an..17	+	
1131 Code list identification code	N an..17	:	
3055 Code list responsible agency code	N an..3	:	
7008 Item description	R an..25	:18'	Age

Use this segment to describe the line item. Include product descriptions only for new or updated products. For promotional details, use DE 7233 in the PAC segment.

Example:

IMD+F+XX8::9+:::18'

Segments Layout

Group	SG17	Status R	Max. occ.: 1000	PGI-SG27-SG36
Group	SG36	Status R	Max. occ.: 999999	LIN-PIA-IMD-MEA-QTY-ALI-DTM-SG38-SG40-SG47-SG52
Segment	IMD	No.: 27 Status D	Level: 3 Max. occ.: 999	Author

Description Item description

Note defining the type of branch for which Manor expects (X) or doesn't expect () the segment!

Fashion (incl. Sport, Travel & Jewelry)	
Home (incl. Stationery)	
Beauty	
Multimedia (incl. Books)	X
Toys	
Food and Nearfood	

Description	Manor	Example	Remarks
7077 Description format code	R an..3	+F	This DE qualifies the type of description as: free-form, free form long, free form short or free form PLU. The actual text descriptions are provided in one or more occurrences of DE 7008. F Free-form Description of an item in free form text.
C272 Item characteristic	R		
7081 Item characteristic code	R an..3	+76	76 Author The author of a written work.
1131 Code list identification code	N an..17	:	
3055 Code list responsible agency code	O an..3	:9	9 EAN (International Article Numbering association)
C273 Item description	D		
7009 Item description code	N an..17	+	
1131 Code list identification code	N an..17	:	
3055 Code list responsible agency code	N an..3	:	
7008 Item description	R an..25	:GREENE JACK'	Author

Use this segment to describe the line item. Include product descriptions only for new or updated products. For promotional details, use DE 7233 in the PAC segment.

Example:

IMD+F+76::9+:::GREENE JACK'

Segments Layout

Group	SG17	Status R	Max. occ.: 1000	PGI-SG27-SG36
Group	SG36	Status R	Max. occ.: 999999	LIN-PIA-IMD-MEA-QTY-ALI-DTM-SG38-SG40-SG47-SG52
Segment	IMD	No.: 28 Status D	Level: 3 Max. occ.: 999	Edition

Description Item description

Note defining the type of branch for which Manor expects (X) or doesn't expect () the segment!

Fashion (incl. Sport, Travel & Jewelry)	
Home (incl. Stationery)	
Beauty	
Multimedia (incl. Books)	X
Toys	
Food and Nearfood	

Description	Manor	Example	Remarks
7077 Description format code	R an..3	+F	This DE qualifies the type of description as: free-form, free form long, free form short or free form PLU. The actual text descriptions are provided in one or more occurrences of DE 7008. F Free-form Description of an item in free form text. 78 Edition Description of the edition of a written work. 9 EAN (International Article Numbering association)
C272 Item characteristic	R		
7081 Item characteristic code	R an..3	+78	
1131 Code list identification code	N an..17	:	
3055 Code list responsible agency code	O an..3	:9	
C273 Item description	D		
7009 Item description code	N an..17	+	
1131 Code list identification code	N an..17	:	
3055 Code list responsible agency code	N an..3	:	
7008 Item description	R an..25	:MONDADORI'	

Use this segment to describe the line item. Include product descriptions only for new or updated products. For promotional details, use DE 7233 in the PAC segment.

Example:

IMD+F+78::9+:::MONDADORI'

Segments Layout

Group	SG17	Status R	Max. occ.: 1000	PGI-SG27-SG36
Group	SG36	Status R	Max. occ.: 999999	LIN-PIA-IMD-MEA-QTY-ALI-DTM-SG38-SG40-SG47-SG52
Segment	IMD	No.: 29 Status D	Level: 3 Max. occ.: 999	Title

Description Item description

Note defining the type of branch for which Manor expects (X) or doesn't expect () the segment!

Fashion (incl. Sport, Travel & Jewelry)	
Home (incl. Stationery)	
Beauty	
Multimedia (incl. Books)	X
Toys	
Food and Nearfood	

Description	Manor	Example	Remarks
7077 Description format code	R an..3	+F	This DE qualifies the type of description as: free-form, free form long, free form short or free form PLU. The actual text descriptions are provided in one or more occurrences of DE 7008. F Free-form Description of an item in free form text.
C272 Item characteristic	R		
7081 Item characteristic code	R an..3	+81	81 Title The title of a work.
1131 Code list identification code	N an..17	:	
3055 Code list responsible agency code	O an..3	:9	9 EAN (International Article Numbering association)
C273 Item description	D		
7009 Item description code	N an..17	+	
1131 Code list identification code	N an..17	:	
3055 Code list responsible agency code	N an..3	:	
7008 Item description	R an..25	:TITANIC'	Title

Use this segment to describe the line item. Include product descriptions only for new or updated products. For promotional details, use DE 7233 in the PAC segment.

Example:

IMD+F+81::9+:::TITANIC'

Segments Layout

Group	SG17	Status R	Max. occ.: 1000	PGI-SG27-SG36
Group	SG36	Status R	Max. occ.: 999999	LIN-PIA-IMD-MEA-QTY-ALI-DTM-SG38-SG40-SG47-SG52
Segment	IMD	No.: 30 Status D	Level: 3 Max. occ.: 999	Pack language

Description Item description

Note defining the type of branch for which Manor expects (X) or doesn't expect () the segment!

Fashion (incl. Sport, Travel & Jewelry)	
Home (incl. Stationery)	X
Beauty	
Multimedia (incl. Books)	X
Toys	X
Food and Nearfood	

Description	Manor	Example	Remarks
7077 Description format code	R an..3	+F	This DE qualifies the type of description as: free-form, free form long, free form short or free form PLU. The actual text descriptions are provided in one or more occurrences of DE 7008. F Free-form Description of an item in free form text.
C272 Item characteristic	R		
7081 Item characteristic code	R an..3	+UP2	UP2 Packaging language (EAN Code) Language used for package markings.
1131 Code list identification code	N an..17	:	
3055 Code list responsible agency code	O an..3	:9	9 EAN (International Article Numbering association)
C273 Item description	D		
7009 Item description code	N an..17	+	
1131 Code list identification code	N an..17	:	
3055 Code list responsible agency code	N an..3	:	
7008 Item description	R an..25	:IT'	Pack language code Format an..3

Use this segment to describe the line item. Include product descriptions only for new or updated products. For promotional details, use DE 7233 in the PAC segment.

Example:

IMD+F+UP2::9+:::IT'

Segments Layout

Group	SG17	Status R	Max. occ.: 1000	PGI-SG27-SG36
Group	SG36	Status R	Max. occ.: 999999	LIN-PIA-IMD-MEA-QTY-ALI-DTM-SG38-SG40-SG47-SG52
Segment	IMD	No.: 31 Status D	Level: 3 Max. occ.: 999	Artist

Description **Item description**

Note defining the type of branch for which Manor expects (X) or doesn't expect () the segment!

Fashion (incl. Sport, Travel & Jewelry)	
Home (incl. Stationery)	
Beauty	
Multimedia (incl. Books)	X
Toys	
Food and Nearfood	

Description	Manor	Example	Remarks
7077 Description format code	R an..3	+F	This DE qualifies the type of description as: free-form, free form long, free form short or free form PLU. The actual text descriptions are provided in one or more occurrences of DE 7008. F Free-form Description of an item in free form text.
C272 Item characteristic	R		
7081 Item characteristic code	R an..3	+75	75 Artist The performing artist(es) of a recorded song or piece of music.
1131 Code list identification code	N an..17	:	
3055 Code list responsible agency code	O an..3	:9	9 EAN (International Article Numbering association)
C273 Item description	D		
7009 Item description code	N an..17	+	
1131 Code list identification code	N an..17	:	
3055 Code list responsible agency code	N an..3	:	
7008 Item description	R an..25	:Johnny Depp'	Artist

Use this segment to describe the line item. Include product descriptions only for new or updated products. For promotional details, use DE 7233 in the PAC segment.

Example:

IMD+F+75::9+:::Johnny Depp'

Segments Layout

Group	SG17	Status R	Max. occ.: 1000	PGI-SG27-SG36
Group	SG36	Status R	Max. occ.: 999999	LIN-PIA-IMD-MEA-QTY-ALI-DTM-SG38-SG40-SG47-SG52
Segment	IMD	No.: 32 Status D	Level: 3 Max. occ.: 999	Publisher

Description Item description

Note defining the type of branch for which Manor expects (X) or doesn't expect () the segment!

Fashion (incl. Sport, Travel & Jewelry)	
Home (incl. Stationery)	
Beauty	
Multimedia (incl. Books)	X
Toys	
Food and Nearfood	

Description	Manor	Example	Remarks
7077 Description format code	R an..3	+F	This DE qualifies the type of description as: free-form, free form long, free form short or free form PLU. The actual text descriptions are provided in one or more occurrences of DE 7008. F Free-form Description of an item in free form text.
C272 Item characteristic	R		
7081 Item characteristic code	R an..3	+80	80 Publisher The publisher of a written piece of work as part of the item description.
1131 Code list identification code	N an..17	:	
3055 Code list responsible agency code	O an..3	:9	9 EAN (International Article Numbering association)
C273 Item description	D		
7009 Item description code	N an..17	+	
1131 Code list identification code	N an..17	:	
3055 Code list responsible agency code	N an..3	:	
7008 Item description	R an..25	:Pottermore Publishing'	Publisher

Use this segment to describe the line item. Include product descriptions only for new or updated products. For promotional details, use DE 7233 in the PAC segment.

Example:

IMD+F+80::9+:::Pottermore Publishing'

Segments Layout

Group	SG17	Status R	Max. occ.: 1000	PGI-SG27-SG36
Group	SG36	Status R	Max. occ.: 999999	LIN-PIA-IMD-MEA-QTY-ALI-DTM-SG38-SG40-SG47-SG52
Segment	IMD	No.: 33 Status D	Level: 3 Max. occ.: 999	Series title

Description Item description

Note defining the type of branch for which Manor expects (X) or doesn't expect () the segment!

Fashion (incl. Sport, Travel & Jewelry)	
Home (incl. Stationery)	
Beauty	
Multimedia (incl. Books)	X
Toys	
Food and Nearfood	

Description	Manor	Example	Remarks
7077 Description format code	R an..3	+F	This DE qualifies the type of description as: free-form, free form long, free form short or free form PLU. The actual text descriptions are provided in one or more occurrences of DE 7008. F Free-form Description of an item in free form text.
C272 Item characteristic	R		
7081 Item characteristic code	R an..3	+82	82 Series title Title of a series of works.
1131 Code list identification code	N an..17	:	
3055 Code list responsible agency code	O an..3	:9	9 EAN (International Article Numbering association)
C273 Item description	D		
7009 Item description code	N an..17	+	
1131 Code list identification code	N an..17	:	
3055 Code list responsible agency code	N an..3	:	
7008 Item description	R an..25	:Harry Potter and the Philosopher?'s Stone'	Series title

Use this segment to describe the line item. Include product descriptions only for new or updated products. For promotional details, use DE 7233 in the PAC segment.

Example:

IMD+F+82::9+:::Harry Potter and the Philosopher?'s Stone'

Segments Layout

Group	SG17	Status R	Max. occ.: 1000	PGI-SG27-SG36
Group	SG36	Status R	Max. occ.: 999999	LIN-PIA-IMD-MEA-QTY-ALI-DTM-SG38-SG40-SG47-SG52
Segment	IMD	No.: 34 Status D	Level: 3 Max. occ.: 999	Book volume

Description Item description

Note defining the type of branch for which Manor expects (X) or doesn't expect () the segment!

Fashion (incl. Sport, Travel & Jewelry)	
Home (incl. Stationery)	
Beauty	
Multimedia (incl. Books)	X
Toys	
Food and Nearfood	

Description	Manor	Example	Remarks
7077 Description format code	R an..3	+F	This DE qualifies the type of description as: free-form, free form long, free form short or free form PLU. The actual text descriptions are provided in one or more occurrences of DE 7008. F Free-form Description of an item in free form text.
C272 Item characteristic	R		
7081 Item characteristic code	R an..3	+83	83 Volume title The title of a volume of work.
1131 Code list identification code	N an..17	:	
3055 Code list responsible agency code	O an..3	:9	9 EAN (International Article Numbering association)
C273 Item description	D		
7009 Item description code	N an..17	+	
1131 Code list identification code	N an..17	:	
3055 Code list responsible agency code	N an..3	:	
7008 Item description	R an..25	:Book 1'	Book volume

Use this segment to describe the line item. Include product descriptions only for new or updated products. For promotional details, use DE 7233 in the PAC segment.

Example:

IMD+F+83::9+:::Book 1'

Segments Layout

Group	SG17	Status R	Max. occ.: 1000	PGI-SG27-SG36
Group	SG36	Status R	Max. occ.: 999999	LIN-PIA-IMD-MEA-QTY-ALI-DTM-SG38-SG40-SG47-SG52
Segment	IMD	No.: 35 Status D	Level: 3 Max. occ.: 999	Composer

Description **Item description**

Note defining the type of branch for which Manor expects (X) or doesn't expect () the segment!

Fashion (incl. Sport, Travel & Jewelry)	
Home (incl. Stationery)	
Beauty	
Multimedia (incl. Books)	X
Toys	
Food and Nearfood	

Description	Manor	Example	Remarks
7077 Description format code	R an..3	+F	This DE qualifies the type of description as: free-form, free form long, free form short or free form PLU. The actual text descriptions are provided in one or more occurrences of DE 7008. F Free-form Description of an item in free form text.
C272 Item characteristic	R		
7081 Item characteristic code	R an..3	+84	84 Composer The composer of a recorded song or piece of music.
1131 Code list identification code	N an..17	:	
3055 Code list responsible agency code	O an..3	:9	9 EAN (International Article Numbering association)
C273 Item description	D		
7009 Item description code	N an..17	+	
1131 Code list identification code	N an..17	:	
3055 Code list responsible agency code	N an..3	:	
7008 Item description	R an..25	:Ludwig van Beethoven'	Composer

Use this segment to describe the line item. Include product descriptions only for new or updated products. For promotional details, use DE 7233 in the PAC segment.

Example:

IMD+F+84::9+:::Ludwig van Beethoven'

Segments Layout

Group	SG17	Status R	Max. occ.: 1000	PGI-SG27-SG36
Group	SG36	Status R	Max. occ.: 999999	LIN-PIA-IMD-MEA-QTY-ALI-DTM-SG38-SG40-SG47-SG52
Segment	IMD	No.: 36 Status D	Level: 3 Max. occ.: 999	Recording medium

Description Item description

Note defining the type of branch for which Manor expects (X) or doesn't expect () the segment!

Fashion (incl. Sport, Travel & Jewelry)	
Home (incl. Stationery)	
Beauty	
Multimedia (incl. Books)	X
Toys	
Food and Nearfood	

Description	Manor	Example	Remarks
7077 Description format code	R an..3	+F	This DE qualifies the type of description as: free-form, free form long, free form short or free form PLU. The actual text descriptions are provided in one or more occurrences of DE 7008. F Free-form Description of an item in free form text.
C272 Item characteristic	R		
7081 Item characteristic code	R an..3	+85	85 Recording medium The medium on which a musical recording is made.
1131 Code list identification code	N an..17	:	
3055 Code list responsible agency code	O an..3	:9	9 EAN (International Article Numbering association)
C273 Item description	D		
7009 Item description code	N an..17	+	
1131 Code list identification code	N an..17	:	
3055 Code list responsible agency code	N an..3	:	
7008 Item description	R an..25	:Berlin Philharmonic'	Recording medium

Use this segment to describe the line item. Include product descriptions only for new or updated products. For promotional details, use DE 7233 in the PAC segment.

Example:

IMD+F+85::9+:::Berlin Philharmonic'

Segments Layout

Group	SG17	Status R	Max. occ.: 1000	PGI-SG27-SG36
Group	SG36	Status R	Max. occ.: 999999	LIN-PIA-IMD-MEA-QTY-ALI-DTM-SG38-SG40-SG47-SG52
Segment	IMD	No.: 37 Status D	Level: 3 Max. occ.: 999	Music style

Description Item description

Note defining the type of branch for which Manor expects (X) or doesn't expect () the segment!

Fashion (incl. Sport, Travel & Jewelry)	
Home (incl. Stationery)	
Beauty	
Multimedia (incl. Books)	X
Toys	
Food and Nearfood	

Description	Manor	Example	Remarks
7077 Description format code	R an..3	+F	This DE qualifies the type of description as: free-form, free form long, free form short or free form PLU. The actual text descriptions are provided in one or more occurrences of DE 7008. F Free-form Description of an item in free form text.
C272 Item characteristic	R		
7081 Item characteristic code	R an..3	+86	86 Music style The style of music.
1131 Code list identification code	N an..17	:	
3055 Code list responsible agency code	O an..3	:9	9 EAN (International Article Numbering association)
C273 Item description	D		
7009 Item description code	N an..17	+	
1131 Code list identification code	N an..17	:	
3055 Code list responsible agency code	N an..3	:	
7008 Item description	R an..25	:Classical style'	Music style

Use this segment to describe the line item. Include product descriptions only for new or updated products. For promotional details, use DE 7233 in the PAC segment.

Example:

IMD+F+86::9+:::Classical style'

Segments Layout

Group	SG17	Status R	Max. occ.: 1000	PGI-SG27-SG36
Group	SG36	Status R	Max. occ.: 999999	LIN-PIA-IMD-MEA-QTY-ALI-DTM-SG38-SG40-SG47-SG52
Segment	IMD	No.: 38 Status D	Level: 3 Max. occ.: 999	Orchestra

Description **Item description**

Note defining the type of branch for which Manor expects (X) or doesn't expect () the segment!

Fashion (incl. Sport, Travel & Jewelry)	
Home (incl. Stationery)	
Beauty	
Multimedia (incl. Books)	X
Toys	
Food and Nearfood	

Description	Manor	Example	Remarks
7077 Description format code	R an..3	+F	This DE qualifies the type of description as: free-form, free form long, free form short or free form PLU. The actual text descriptions are provided in one or more occurrences of DE 7008. F Free-form Description of an item in free form text.
C272 Item characteristic	R		
7081 Item characteristic code	R an..3	+UQ2	UQ2 Orchestra (EAN Code) The Orchestra of a recorded song or piece of music.
1131 Code list identification code	N an..17	:	
3055 Code list responsible agency code	O an..3	:9	9 EAN (International Article Numbering association)
C273 Item description	D		
7009 Item description code	N an..17	+	
1131 Code list identification code	N an..17	:	
3055 Code list responsible agency code	N an..3	:	
7008 Item description	R an..25	:Palast Orchester'	Orchestra

Use this segment to describe the line item. Include product descriptions only for new or updated products. For promotional details, use DE 7233 in the PAC segment.

Example:

IMD+F+UQ2::9+:::Palast Orchester'

Segments Layout

Group	SG17	Status R	Max. occ.: 1000	PGI-SG27-SG36
Group	SG36	Status R	Max. occ.: 999999	LIN-PIA-IMD-MEA-QTY-ALI-DTM-SG38-SG40-SG47-SG52
Segment	IMD	No.: 39 Status D	Level: 3 Max. occ.: 999	Conductor

Description **Item description**

Note defining the type of branch for which Manor expects (X) or doesn't expect () the segment!

Fashion (incl. Sport, Travel & Jewelry)	
Home (incl. Stationery)	
Beauty	
Multimedia (incl. Books)	X
Toys	
Food and Nearfood	

Description	Manor	Example	Remarks
7077 Description format code	R an..3	+F	This DE qualifies the type of description as: free-form, free form long, free form short or free form PLU. The actual text descriptions are provided in one or more occurrences of DE 7008. F Free-form Description of an item in free form text.
C272 Item characteristic	R		
7081 Item characteristic code	R an..3	+UQ3	UQ3 Conductor (EAN Code) The conductor of a recorded song or piece of music.
1131 Code list identification code	N an..17	:	
3055 Code list responsible agency code	O an..3	:9	9 EAN (International Article Numbering association)
C273 Item description	D		
7009 Item description code	N an..17	+	
1131 Code list identification code	N an..17	:	
3055 Code list responsible agency code	N an..3	:	
7008 Item description	R an..25	:Simon Rattle'	Conductor

Use this segment to describe the line item. Include product descriptions only for new or updated products. For promotional details, use DE 7233 in the PAC segment.

Example:

IMD+F+UQ3::9+:::Simon Rattle'

Segments Layout

Group	SG17	Status R	Max. occ.: 1000	PGI-SG27-SG36
Group	SG36	Status R	Max. occ.: 999999	LIN-PIA-IMD-MEA-QTY-ALI-DTM-SG38-SG40-SG47-SG52
Segment	IMD	No.: 40 Status O	Level: 3 Max. occ.: 999	Campaign name

Description Item description

Description	Manor	Example	Remarks
7077 Description format code	R an..3	+F	This DE qualifies the type of description as: free-form, free form long, free form short or free form PLU. The actual text descriptions are provided in one or more occurrences of DE 7008. F Free-form Description of an item in free form text.
C272 Item characteristic	R		
7081 Item characteristic code	R an..3	+XX5	XX5 Campaign name (GS1 Code) Maxi 17 car.)
1131 Code list identification code	N an..17	:	
3055 Code list responsible agency code	O an..3	:9	9 EAN (International Article Numbering association)
C273 Item description	R		
7009 Item description code	N an..17	+	
1131 Code list identification code	N an..17	:	
3055 Code list responsible agency code	N an..3	:	
7008 Item description	R an..25	:CampaignName'	Campaign name Format an..17

Use this segment to describe the line item. Include product descriptions only for new or updated products. For promotional details, use DE 7233 in the PAC segment.

Example:

IMD+F+XX5::9+:::CampaignName'

Segments Layout

Group	SG17	Status R	Max. occ.: 1000	PGI-SG27-SG36
Group	SG36	Status R	Max. occ.: 999999	LIN-PIA-IMD-MEA-QTY-ALI-DTM-SG38-SG40-SG47-SG52
Segment	IMD	No.: 41 Status O	Level: 3 Max. occ.: 999	Variable quantity product

Description Item description

Description	Manor	Example	Remarks
7077 Description format code	R an..3	+C	This DE qualifies the type of description as: free-form, free form long, free form short or free form PLU. The actual text descriptions are provided in one or more occurrences of DE 7008. C Code (from industry code list) Description of an item in coded format.
C272 Item characteristic	N		
7081 Item characteristic code	N an..3	+	
C273 Item description	R		
7009 Item description code	R an..17	+VQ	VQ Variable quantity product (EAN Code) Product is used or traded in continuous rather than discrete quantities.
1131 Code list identification code	N an..17	:	
3055 Code list responsible agency code	O an..3	:9'	9 EAN (International Article Numbering association)

Use this segment to describe the line item. Include product descriptions only for new or updated products. For promotional details, use DE 7233 in the PAC segment.

Example:

IMD+C++VQ::9'

Segments Layout

Group	SG17	Status R	Max. occ.: 1000	PGI-SG27-SG36
Group	SG36	Status R	Max. occ.: 999999	LIN-PIA-IMD-MEA-QTY-ALI-DTM-SG38-SG40-SG47-SG52
Segment	MEA	No.: 42 Status O	Level: 3 Max. occ.: 10	Measurement Gross weight

Description Measurements

Description	Manor	Example	Remarks
6311 Measurement purpose code qualifier	R an..3	+PD	PD Physical dimensions (product ordered) Specified measurement dimensions refer to physical dimensions of a product, material or package.
C502 Measurement details	R		
6313 Measured attribute code	R an..3	+AAB	AAB Unit gross weight [6292] Weight (mass) of goods including packing but excluding the carrier's equipment.
C174 Value/range	R		
6411 Measurement unit code	R an..3	+GRM	Unit of measurement of the weights GRM gram
6314 Measurement value	R an..18	:12.000'	Gross weight

A segment to allow physical measurements and dimensions to be stated, where this is required for identification of the product.

Example:

MEA+PD+AAB+GRM:12.000'

Segments Layout

Group	SG17	Status R	Max. occ.: 1000	PGI-SG27-SG36
Group	SG36	Status R	Max. occ.: 999999	LIN-PIA-IMD-MEA-QTY-ALI-DTM-SG38-SG40-SG47-SG52
Segment	MEA	No.: 43 Status O	Level: 3 Max. occ.: 10	Measurement Net weight

Description Measurements

Description	Manor	Example	Remarks
6311 Measurement purpose code qualifier	R an..3	+PD	PD Physical dimensions (product ordered) Specified measurement dimensions refer to physical dimensions of a product, material or package.
C502 Measurement details	R		
6313 Measured attribute code	R an..3	+AAA	AAA Unit net weight
C174 Value/range	R		
6411 Measurement unit code	R an..3	+GRM	Unit of measurement of the weights GRM gram
6314 Measurement value	R an..18	:10.000'	Net weight

A segment specifying physical measurements of packages described in the PAC segment e.g. box size.

Example:

MEA+PD+AAA+GRM:10.000'

Segments Layout

Group	SG17	Status R	Max. occ.: 1000	PGI-SG27-SG36
Group	SG36	Status R	Max. occ.: 999999	LIN-PIA-IMD-MEA-QTY-ALI-DTM-SG38-SG40-SG47-SG52
Segment	MEA	No.: 44 Status O	Level: 3 Max. occ.: 10	Length/ depth dimension

Description Measurements

Description	Manor	Example	Remarks
6311 Measurement purpose code qualifier	R an..3	+PD	PD Physical dimensions (product ordered) Specified measurement dimensions refer to physical dimensions of a product, material or package.
C502 Measurement details	R		
6313 Measured attribute code	R an..3	+DP	DP Depth The measured depth.
C174 Value/range	R		
6411 Measurement unit code	R an..3	+CMT	CMT centimetre
6314 Measurement value	R an..18	:0.225'	Length/ depth dimension

A segment specifying physical measurements of packages described in the PAC segment e.g. box size.

Example:

MEA+PD+DP+MTR:0.225'

Segments Layout

Group	SG17	Status R	Max. occ.: 1000	PGI-SG27-SG36
Group	SG36	Status R	Max. occ.: 999999	LIN-PIA-IMD-MEA-QTY-ALI-DTM-SG38-SG40-SG47-SG52
Segment	MEA	No.: 45 Status O	Level: 3 Max. occ.: 10	Width dimension

Description Measurements

Description	Manor	Example	Remarks
6311 Measurement purpose code qualifier	M an..3	+PD	PD Physical dimensions (product ordered) Specified measurement dimensions refer to physical dimensions of a product, material or package.
C502 Measurement details	C		
6313 Measured attribute code	C an..3	+WD	WD Width dimension Numeric value of width.
C174 Value/range	C		
6411 Measurement unit code	M an..3	+CMT	CMT centimetre
6314 Measurement value	C an..18	:0.225'	Width dimension

A segment specifying physical measurements of packages described in the PAC segment e.g. box size.

Example:

MEA+PD+WD+MTR:0.225'

Segments Layout

Group	SG17	Status R	Max. occ.: 1000	PGI-SG27-SG36
Group	SG36	Status R	Max. occ.: 999999	LIN-PIA-IMD-MEA-QTY-ALI-DTM-SG38-SG40-SG47-SG52
Segment	MEA	No.: 46 Status O	Level: 3 Max. occ.: 10	Height dimension

Description Measurements

Description	Manor	Example	Remarks
6311 Measurement purpose code qualifier	M an..3	+PD	PD Physical dimensions (product ordered) Specified measurement dimensions refer to physical dimensions of a product, material or package.
C502 Measurement details	C		
6313 Measured attribute code	C an..3	+HT	HT Height dimension Numeric value of height.
C174 Value/range	C		
6411 Measurement unit code	M an..3	+CMT	CMT centimetre
6314 Measurement value	C an..18	:0.225'	Height dimension

A segment specifying physical measurements of packages described in the PAC segment e.g. box size.

Example:

MEA+PD+WD+MTR:0.225'

Segments Layout

Group	SG17	Status R	Max. occ.: 1000	PGI-SG27-SG36
Group	SG36	Status R	Max. occ.: 999999	LIN-PIA-IMD-MEA-QTY-ALI-DTM-SG38-SG40-SG47-SG52
Segment	MEA	No.: 47 Status O	Level: 3 Max. occ.: 10	Net filling quantity

Description Measurements

Description	Manor	Example	Remarks
6311 Measurement purpose code qualifier	M an..3	+PD	PD Physical dimensions (product ordered) Specified measurement dimensions refer to physical dimensions of a product, material or package.
C502 Measurement details	C		
6313 Measured attribute code	C an..3	+CT	CT Contents of package In combination with the other data elements of the actual segment this code indicates the measured content of a package.
C174 Value/range	C		
6411 Measurement unit code	M an..3	+MLT	MLT millilitre
6314 Measurement value	C an..18	:1.000'	Net filling quantity

A segment specifying physical measurements of packages described in the PAC segment e.g. box size.

Example:

MEA+PD+CT+MLT:1.000'

Segments Layout

Group	SG17	Status R	Max. occ.: 1000	PGI-SG27-SG36
Group	SG36	Status R	Max. occ.: 999999	LIN-PIA-IMD-MEA-QTY-ALI-DTM-SG38-SG40-SG47-SG52
Segment	MEA	No.: 48 Status D	Level: 3 Max. occ.: 10	Drained weight

Description Measurements

Note defining the type of branch for which Manor expects (X) or doesn't expect () the segment!

Fashion (incl. Sport, Travel & Jewelry)
Home (incl. Stationery)
Beauty
Multimedia (incl. Books)
Toys
Food and Nearfood X

Description	Manor	Example	Remarks
6311 Measurement purpose code qualifier	M an..3	+PD	PD Physical dimensions (product ordered) Specified measurement dimensions refer to physical dimensions of a product, material or package.
C502 Measurement details	C		
6313 Measured attribute code	C an..3	+AEI	AEI Drained weight The weight of a product when all liquids used in the packaging of the product have been removed.
C174 Value/range	C		
6411 Measurement unit code	M an..3	+GRM	GRM gram
6314 Measurement value	C an..18	:1.000'	Drained weight

A segment specifying physical measurements of packages described in the PAC segment e.g. box size.

Example:

MEA+PD+AEI+KGM:1.000'

Segments Layout

Group	SG17	Status R	Max. occ.: 1000	PGI-SG27-SG36
Group	SG36	Status R	Max. occ.: 999999	LIN-PIA-IMD-MEA-QTY-ALI-DTM-SG38-SG40-SG47-SG52
Segment	QTY	No.: 49 Status R	Level: 3 Max. occ.: 10	Quantity

Description Quantity

Description	Manor	Example	Remarks
C186 Quantity details	R		
6063 Quantity type code qualifier	R an..3	+53	53 Minimum order quantity Minimum quantity of goods for an order.
6060 Quantity	R an..35	:1'	Minimum order quantity

This segment is used to provide quantity information for the current line item, e.g. minimum order quantity.

Example:
QTY+53:1'

Segments Layout

Group	SG17	Status R	Max. occ.: 1000	PGI-SG27-SG36
Group	SG36	Status R	Max. occ.: 999999	LIN-PIA-IMD-MEA-QTY-ALI-DTM-SG38-SG40-SG47-SG52
Segment	ALI	No.: 50 Status O	Level: 3 Max. occ.: 5	Additional information

Description Additional information

Description	Manor	Example	Remarks
3239 Country of origin name code	R an..3	+ES'	ISO 3166 two alpha code

This segment is used to indicate special conditions for the current line item, or, to specify the country of origin of the line item.

Example:
ALI+ES'

Segments Layout

Group	SG17	Status R	Max. occ.: 1000	PGI-SG27-SG36
Group	SG36	Status R	Max. occ.: 999999	LIN-PIA-IMD-MEA-QTY-ALI-DTM-SG38-SG40-SG47-SG52
Segment	DTM	No.: 51 Status R	Level: 3 Max. occ.: 10	First possible day of order

Description Date/time/period

Description	Manor	Example	Remarks
C507 Date/time/period	R		
2005 Date or time or period function code qualifier	D an..3	+7	7 Effective date/time Date and/or time at which specified event or document becomes effective. 44 Availability Date/time when received item is available. 423 First date of ordering The first date on which ordering may take place.
2380 Date or time or period value	R an..35	:20200127000000	First possible day of order
2379 Date or time or period format code	D an..3	:204'	Periods are specified using one repeat of the DTM segment. The qualifier 718 for DE 2379 indicates that the date is in the format CCYYMMDD-CCYYMMDD where the user may specify a start and end date. The start date for a period is always specified first. 204 CCYYMMDDHHMMSS Calendar date including time with seconds: C=Century M=Month;D=Day;H=Hour;M=Minute;S=Second.;; 102 CCYYMMDD Calendar date: C = Century M = Month ; D = Day.;;

This segment is used to specify relevant dates for the current line item.

Example:

DTM+7:20060315000000:204'
 DTM+44:20060315000000:204'
 DTM+423:20060315000000:204'
 DTM+7:20060315:102'
 DTM+44:20060315:102'
 DTM+423:20060315:102'

Segments Layout

Group	SG17	Status R	Max. occ.: 1000	PGI-SG27-SG36
Group	SG36	Status R	Max. occ.: 999999	LIN-PIA-IMD-MEA-QTY-ALI-DTM-SG38-SG40-SG47-SG52
Segment	DTM	No.: 52 Status O	Level: 3 Max. occ.: 10	Last date of ordering

Description Date/time/period

Description	Manor	Example	Remarks
C507 Date/time/period	R		
2005 Date or time or period function code qualifier	D an..3	+424	424 Last date of ordering The last date on which ordering may take place. 362 End availability date The end date of availability.
2380 Date or time or period value	R an..35	:20200127000000	Last date of ordering
2379 Date or time or period format code	D an..3	:204'	Periods are specified using one repeat of the DTM segment. The qualifier 718 for DE 2379 indicates that the date is in the format CCYYMMDD-CCYYMMDD where the user may specify a start and end date. The start date for a period is always specified first. 204 CCYYMMDDHHMMSS Calendar date including time with seconds: C=Century M=Month;D=Day;H=Hour;M=Minute;S=Second.;; 102 CCYYMMDD Calendar date: C = Century M = Month ; D = Day.;;

This segment is used to specify relevant dates for the current line item.

Example:

DTM+362:20060315000000:204'
 DTM+424:20060315000000:204'
 DTM+362:20060315:102'
 DTM+424:20060315:102'

Segments Layout

Group	SG17	Status R	Max. occ.: 1000	PGI-SG27-SG36
Group	SG36	Status R	Max. occ.: 999999	LIN-PIA-IMD-MEA-QTY-ALI-DTM-SG38-SG40-SG47-SG52
Segment	DTM	No.: 53 Status O	Level: 3 Max. occ.: 10	Publication date

Description Date/time/period

Note defining the type of branch for which Manor expects (X) or doesn't expect () the segment!

Fashion (incl. Sport, Travel & Jewelry)	
Home (incl. Stationery)	
Beauty	
Multimedia (incl. Books)	X
Toys	
Food and Nearfood	

Description	Manor	Example	Remarks
C507 Date/time/period	R		
2005 Date or time or period function code qualifier	R an..3	+541	541 Publication date
2380 Date or time or period value	R an..35	:20200127000000	Publication date
2379 Date or time or period format code	D an..3	:204'	Periods are specified using one repeat of the DTM segment. The qualifier 718 for DE 2379 indicates that the date is in the format CCYYMMDD-CCYYMMDD where the user may specify a start and end date. The start date for a period is always specified first. 204 CCYYMMDDHHMMSS Calendar date including time with seconds: C=Century M=Month;D=Day;H=Hour;M=Minute;S=Second.;; 102 CCYYMMDD Calendar date: C = Century M = Month ; D = Day.;;

This segment is used to specify relevant dates for the current line item.

Example:

DTM+541:20060315000000:204'
DTM+541:20060315:102'

Segments Layout

Group	SG17	Status R	Max. occ.: 1000	PGI-SG27-SG36
Group	SG36	Status R	Max. occ.: 999999	LIN-PIA-IMD-MEA-QTY-ALI-DTM-SG38-SG40-SG47-SG52
Group	SG38	Status O	Max. occ.: 10	TAX
Segment	TAX	No.: 54 Status R	Level: 3 Max. occ.: 1	Duty/tax/fee details

Description Duty/tax/fee details

Description	Manor	Example	Remarks
5283 Duty or tax or fee function code qualifier	R an..3	+7	7 Tax Contribution levied by an authority.
C241 Duty/tax/fee type	D		
5153 Duty or tax or fee type name code	R an..3	+VAT	VAT Value added tax A tax on domestic or imported goods applied to the value added at each stage in the production/distribution cycle.
1131 Code list identification code	N an..17	:	
3055 Code list responsible agency code	N an..3	:	
5152 Duty or tax or fee type name	N an..35	:	
C533 Duty/tax/fee account detail	N		
5289 Duty or tax or fee account code	N an..6	+	
5286 Duty or tax or fee assessment basis value	N an..15	+	
C243 Duty/tax/fee detail	O		
5279 Duty or tax or fee rate code	N an..7	+	
1131 Code list identification code	N an..17	:	
3055 Code list responsible agency code	N an..3	:	
5278 Duty or tax or fee rate	R an..17	:8.0'	The actual rate of tax/duty.

This segment is used to specify the tax details for the current line item.

Example:

TAX+7+VAT+++:::8.0'

Segments Layout

Group	SG17	Status R	Max. occ.: 1000	PGI-SG27-SG36
Group	SG36	Status R	Max. occ.: 999999	LIN-PIA-IMD-MEA-QTY-ALI-DTM-SG38-SG40-SG47-SG52
Group	SG40	Status D	Max. occ.: 100	Purchase price and pricing information date
Segment	PRI	No.: 55 Status R	Level: 3 Max. occ.: 1	Price detail (Purchase price)

Description Price details

Description	Manor	Example	Remarks
C509 Price information	R		
5125 Price code qualifier	R an..3	+AAB	AAB Calculation gross The price stated is the gross price to which allowances/charges, if valid, must be applied.
5118 Price amount	R n..15	:11.73	List price purchase
5375 Price type code	R an..3	:CA	CA Catalogue Code specifying the catalogue price.
5387 Price specification code	R an..3	:LIU'	LIU List price (EAN Code) Regular list price (no promotions or special discounts applied).

Remark Manor:

For consignment products = not used
For non consignment products = mandatory

This segment is used to provide price information for the current line item.

Example:

PRI+AAB:11.73:CA:LIU'

Segments Layout

Group	SG17	Status R	Max. occ.: 1000	PGI-SG27-SG36
Group	SG36	Status R	Max. occ.: 999999	LIN-PIA-IMD-MEA-QTY-ALI-DTM-SG38-SG40-SG47-SG52
Group	SG40	Status D	Max. occ.: 100	Purchase price and pricing information date
Segment	CUX	No.: 56 Status R	Level: 4 Max. occ.: 1	Currencies of Purchase price

Description Currencies

Description	Manor	Example	Remarks
C504 Currency details	R		
6347 Currency usage code qualifier	R an..3	+2	2 Reference currency The currency applicable to amounts stated. It may have to be converted.
6345 Currency identification code	R an..3	:CHF	price currency coded in ISO 4217 three alpha.
6343 Currency type code qualifier	R an..3	:8'	8 Price list currency The name or symbol of the monetary unit used in a price list.

This segment is used to provide currency information.

Example:

CUX+2:CHF:8'

Segments Layout

Group	SG17	Status R	Max. occ.: 1000	PGI-SG27-SG36
Group	SG36	Status R	Max. occ.: 999999	LIN-PIA-IMD-MEA-QTY-ALI-DTM-SG38-SG40-SG47-SG52
Group	SG40	Status D	Max. occ.: 100	Purchase price and pricing information date
Segment	DTM	No.: 57 Status O	Level: 4 Max. occ.: 5	pricing information start date

Description Date/time/period

Description	Manor	Example	Remarks
C507 Date/time/period	M		
2005 Date or time or period function code qualifier	R an..3	+194	194 Start date/time Date/time on which a period starts.
2380 Date or time or period value	R an..35	:20210704000000	Start date validity
2379 Date or time or period format code	D an..3	:204'	102 CCYYMMDD Calendar date: C = Century M = Month ; D = Day.;.;.;. 204 CCYYMMDDHHMMSS Calendar date including time with seconds: C=Century M=Month;D=Day;H=Hour;M=Minute;S=Second.;;

This segment is used to identify specific dates and times associated with pricing information.

Example:

DTM+194:20210704000000:204'
DTM+194:20210704:102'

Segments Layout

Group	SG17	Status R	Max. occ.: 1000	PGI-SG27-SG36
Group	SG36	Status R	Max. occ.: 999999	LIN-PIA-IMD-MEA-QTY-ALI-DTM-SG38-SG40-SG47-SG52
Group	SG40	Status D	Max. occ.: 100	Purchase price and pricing information date
Segment	DTM	No.: 58 Status O	Level: 4 Max. occ.: 5	pricing information end date

Description Date/time/period

Description	Manor	Example	Remarks
C507 Date/time/period	M		
2005 Date or time or period function code qualifier	R an..3	+206	206 End date/time Date/time on which a period (from - to) ends.
2380 Date or time or period value	R an..35	:20210704000000	End date validity
2379 Date or time or period format code	D an..3	:204'	102 CCYYMMDD Calendar date: C = Century M = Month ; D = Day ; ; ; ; ; ; ; 204 CCYYMMDDHHMMSS Calendar date including time with seconds: C=Century M=Month;D=Day;H=Hour;M=Minute;S=Second.;;

This segment is used to identify specific dates and times associated with pricing information.

Example:

DTM+206:20210704000000:204'
DTM+206:20210704:102'

Segments Layout

Group	SG17	Status R	Max. occ.: 1000	PGI-SG27-SG36
Group	SG36	Status R	Max. occ.: 999999	LIN-PIA-IMD-MEA-QTY-ALI-DTM-SG38-SG40-SG47-SG52
Group	SG40	Status D	Max. occ.: 100	Retail price and pricing information date
Segment	PRI	No.: 59 Status R	Level: 3 Max. occ.: 1	Price detail (Retail Price)

Description Price details

Description	Manor	Example	Remarks
C509 Price information	R		
5125 Price code qualifier	R an..3	+AAE	AAE Information price, excluding allowances or charges, including taxes The price stated is for information purposes only and excludes all allowances and charges. Taxes however are included in the price.
5118 Price amount	R n..15	:18.5	List price retail
5375 Price type code	R an..3	:CA	CA Catalogue Code specifying the catalogue price.
5387 Price specification code	R an..3	:SRP'	SRP Suggested retail price Price per unit of quantity of a product suggested for retail.

Remark Manor:

For consignment products = mandatory
For non consignment products = not used

This segment is used to provide price information for the current line item.

Example:

PRI+AAE:18.5:CA:SRP'

Segments Layout

Group	SG17	Status R	Max. occ.: 1000	PGI-SG27-SG36
Group	SG36	Status R	Max. occ.: 999999	LIN-PIA-IMD-MEA-QTY-ALI-DTM-SG38-SG40-SG47-SG52
Group	SG40	Status D	Max. occ.: 100	Retail price and pricing information date
Segment	CUX	No.: 60 Status R	Level: 4 Max. occ.: 1	Currencies of Retail price

Description Currencies

Description	Manor	Example	Remarks
C504 Currency details	R		
6347 Currency usage code qualifier	R an..3	+2	2 Reference currency The currency applicable to amounts stated. It may have to be converted.
6345 Currency identification code	R an..3	:CHF	price currency coded in ISO 4217 three alpha.
6343 Currency type code qualifier	R an..3	:8'	8 Price list currency The name or symbol of the monetary unit used in a price list.

This segment is used to provide currency information.

Example:

CUX+2:CHF:8'

Segments Layout

Group	SG17	Status R	Max. occ.: 1000	PGI-SG27-SG36
Group	SG36	Status R	Max. occ.: 999999	LIN-PIA-IMD-MEA-QTY-ALI-DTM-SG38-SG40-SG47-SG52
Group	SG40	Status D	Max. occ.: 100	Retail price and pricing information date
Segment	DTM	No.: 61 Status O	Level: 4 Max. occ.: 5	pricing information start date

Description Date/time/period

Description	Manor	Example	Remarks
C507 Date/time/period	R		
2005 Date or time or period function code qualifier	R an..3	+194	194 Start date/time Date/time on which a period starts.
2380 Date or time or period value	R an..35	:20210704000000	Start date validity
2379 Date or time or period format code	D an..3	:204'	102 CCYYMMDD Calendar date: C = Century M = Month ; D = Day.;;;;; 204 CCYYMMDDHHMMSS Calendar date including time with seconds: C=Century M=Month;D=Day;H=Hour;M=Minute; S=Second.;;

This segment is used to identify specific dates and times associated with pricing information.

Example:

DTM+194:20210704000000:204'
DTM+194:20210704:102'

Segments Layout

Group	SG17	Status R	Max. occ.: 1000	PGI-SG27-SG36
Group	SG36	Status R	Max. occ.: 999999	LIN-PIA-IMD-MEA-QTY-ALI-DTM-SG38-SG40-SG47-SG52
Group	SG40	Status D	Max. occ.: 100	Retail price and pricing information date
Segment	DTM	No.: 62 Status O	Level: 4 Max. occ.: 5	pricing information end date

Description Date/time/period

Description	Manor	Example	Remarks
C507 Date/time/period	R		
2005 Date or time or period function code qualifier	R an..3	+206	206 End date/time Date/time on which a period (from - to) ends.
2380 Date or time or period value	R an..35	:20210704000000	End date validity
2379 Date or time or period format code	D an..3	:204'	102 CCYYMMDD Calendar date: C = Century M = Month ; D = Day ; ; ; ; ; ; 204 CCYYMMDDHHMMSS Calendar date including time with seconds: C=Century M=Month;D=Day;H=Hour;M=Minute; S=Second.;;

This segment is used to identify specific dates and times associated with pricing information.

Example:

DTM+206:20210704000000:204'
DTM+206:20210704:102'

Segments Layout

Group	SG17	Status R	Max. occ.: 1000	PGI-SG27-SG36
Group	SG36	Status R	Max. occ.: 999999	LIN-PIA-IMD-MEA-QTY-ALI-DTM-SG38-SG40-SG47-SG52
Group	SG47	Status O	Max. occ.: 999	PAC
Segment	PAC	No.: 63 Status R	Level: 3 Max. occ.: 1	Type of packaging

Description Package

Description	Manor	Example	Remarks
7224 Package quantity	N n..8	+	
C531 Packaging details	N		
7075 Packaging level code	N an..3	+	
C202 Package type	R		
7065 Package type description code	R an..17	+08'	Type of packaging

A segment specifying the physical type of packages for the Price item line.

Example:
PAC++:08'

Segments Layout

Group	SG17	Status R	Max. occ.: 1000	PGI-SG27-SG36
Group	SG36	Status R	Max. occ.: 999999	LIN-PIA-IMD-MEA-QTY-ALI-DTM-SG38-SG40-SG47-SG52
Group	SG52	Status O	Max. occ.: 99	NAD
Segment	NAD	No.: 64 Status R	Level: 3 Max. occ.: 1	GLN of manufacturer

Description Name and address

Description	Manor	Example	Remarks
3035 Party function code qualifier	R an..3	+MF	MF Manufacturer of goods Party who manufactures the goods.
C082 Party identification details	R		
3039 Party identifier	R an..35	+7613222000005	GLN of manufacturer
1131 Code list identification code	N an..17	:	
3055 Code list responsible agency code	R an..3	:9	9 EAN (International Article Numbering association)
C058 Name and address	O		This composite may only be used to fulfill the requirements of directive 2003/58/EC, article 4.
3124 Name and address description	N an..35	+	
C080 Party name	O		
3036 Party name	R an..35	+GUESS'	Name of information provider identified with GLN.

This segment is used to specify names and addresses relevant to the current product.

Example:

NAD+MF+7613222000005::9++GUESS'

Segments Layout

Segment

UNT

No.: 65
Status R

Level: 0
Max. occ.: 1

Message trailer

Description Message trailer

Description	Manor	Example	Remarks
0074 Number of segments in a message	R n..10	+403	The total number of segments in the message is detailed here.
0062 Message reference number	R an..14	+1'	The message reference numbered detailed here should equal the one specified in the UNH segment.

This segment is a mandatory UN/EDIFACT segment. It must always be the last segment in the message.

Example:

UNT+403+1'

Segments Layout

Segment **UNZ** No.: 66 Level: 0 **Interchange trailer**
 Status R Max. occ.: 1

Description **Interchange trailer**

Description	Manor	Example	Remarks
0036 Interchange control count	R n..6	+1	Number of messages or functional groups within an interchange.
0020 Interchange control reference	R an..14	+24'	Identical to DE 0020 in UNB segment.

This segment is used to provide the trailer of an interchange.

Example:
 UNZ+1+24'

PRICAT 1.3

Example

Nr	Bez	Example: PRICAT D.01B in; 1.3; final
01	UNA	UNA:+.?*
02	UNB	UNB+UNOC:4+3013404404425:14:7612096000005+7612096000005:14+20240723:1513+24+++++PRICATD01B+1'
03	UNH	UNH+1+PRICAT:D:01B:EN:GDSN20'
04	BGM	BGM+9+334119623+9'
05	DTM	DTM+137:20210413151335:204'
	SG17	
06	PGI	PGI+14+CH::5'
	SG27	
07	NAD	NAD+BY+7612096000005::9'
	SG27	
08	NAD	NAD+IPD+5412345678908::9'
	SG36	
09	LIN	LIN+1+1+7613364077446:SRV'
10	PIA	PIA+1+30023374:SA'
11	PIA	PIA+1+3340443282340:SRV'
12	PIA	PIA+1+10000040:BRI::9'
13	PIA	PIA+1+20000140:GAT::9+30002903:GAV::9'
14	IMD	IMD+C++CU::9'
15	IMD	IMD+C++BU::9'
16	IMD	IMD+C++DU::9'
17	IMD	IMD+C++ORU::9'
18	IMD	IMD+C++IN::9'
19	IMD	IMD+F+DSC::9+:::11 Saturn2-J 1001002 Dark Blue 102::DE'
20	IMD	IMD+B+XY3::9+1042402535::91:Manufacture Rock blanc - Soup bowl 12,5x12,5x6,5cm::EN'
21	IMD	IMD+F+BRN::9+:::MORGAN'
22	IMD	IMD+C+35+011::91:NOIR'
23	IMD	IMD+C+98+T38::91'
24	IMD	IMD+C+XX7::9+SMR::9:2021'
25	IMD	IMD+F+XX9::9+FEM::9'
26	IMD	IMD+F+XX8::9+:::18'
27	IMD	IMD+F+76::9+:::GREENE JACK'
28	IMD	IMD+F+78::9+:::MONDADORI'
29	IMD	IMD+F+81::9+:::TITANIC'
30	IMD	IMD+F+UP2::9+:::IT'
31	IMD	IMD+F+75::9+:::Johnny Depp'
32	IMD	IMD+F+80::9+:::Pottermore Publishing'
33	IMD	IMD+F+82::9+:::Harry Potter and the Philosopher?'s Stone'
34	IMD	IMD+F+83::9+:::Book 1'
35	IMD	IMD+F+84::9+:::Ludwig van Beethoven'
36	IMD	IMD+F+85::9+:::Berlin Philharmonic'
37	IMD	IMD+F+86::9+:::Classical style'
38	IMD	IMD+F+UQ2::9+:::Palast Orchester'
39	IMD	IMD+F+UQ3::9+:::Simon Rattle'
40	IMD	IMD+F+XX5::9+:::CampaignName'
41	IMD	IMD+C++VQ::9'

PRICAT 1.3

Example

Nr	Bez	Example: PRICAT D.01B in; 1.3; final
42	MEA	MEA+PD+AAB+GRM:12.000'
43	MEA	MEA+PD+AAA+GRM:10.000'
44	MEA	MEA+PD+DP+CMT:0.225'
45	MEA	MEA+PD+WD+CMT:0.225'
46	MEA	MEA+PD+HT+CMT:0.225'
47	MEA	MEA+PD+CT+MLT:1.000'
48	MEA	MEA+PD+AEI+GRM:1.000'
49	QTY	QTY+53:1'
50	ALI	ALI+ES'
51	DTM	DTM+7:20200127000000:204'
52	DTM	DTM+424:20200127000000:204'
53	DTM	DTM+541:20200127000000:204'
	SG38	
54	TAX	TAX+7+VAT+++:::8.0'
	SG40	
55	PRI	PRI+AAB:11.73:CA:LIU'
56	CUX	CUX+2:CHF:8'
57	DTM	DTM+194:20210704000000:204'
58	DTM	DTM+206:20210704000000:204'
	SG40	
59	PRI	PRI+AAE:18.5:CA:SRP'
60	CUX	CUX+2:CHF:8'
61	DTM	DTM+194:20210704000000:204'
62	DTM	DTM+206:20210704000000:204'
	SG47	
63	PAC	PAC+++08'
	SG52	
64	NAD	NAD+MF+7613222000005::9++GUESS'
65	UNT	UNT+403+1'
66	UNZ	UNZ+1+24'

List of changes

Version.	Description	Segments and elements
V1.3 (#INC-5193274)	Various text and sample data corrections	
V1.1 (#Mail from Marcin Smigielski)	Segment group SG17 - SG27 with the segments Name and address NAD+IPD Writing error in comment corrected.SG27 (NAD+IPD)	
V1.2 (#Mail from Marcin Smigielski)	Segment group SG17 - SG36 with the segments Item description IMD+F+XX9 Fashion was redefined as not expected.	
V1.2 (#Mail from Marcin Smigielski)	Segment group SG17 - SG36 with the segments Item description IMD+F+XX8 Fashion was redefined as not expected.	

GPC Brick (GS1)

Please search the Brick Code, GPC Brick attribute type and GPC Brick attribute value into:

<http://www.gs1.org/1/productssolutions/gdsn/gpc/browser/index.html>



The global language of business

Contact your local GS1 office [Extranet Login](#)



<< Back to main GS1 website

GPC Browser

The GPC browser allows you to browse all components (Segment, Family, Class, Brick and Attribute) of the current GPC schemas.

Langue:

Publication:

Segment:

Famille:

Classe:

Rechercher:

Expression exacte

[Développer](#) | [Brique](#) | [Classe](#) | [Famille](#) | [Replier](#)

Segment: 67000000 - Vêtements

Famille: 67010000 - Vêtements

- Classe: 67010100 - Accessoires Vestimentaires
- Classe: 67011100 - Assortiments de Vêtements
- Classe: 67010700 - Sous-vêtements
- Classe: 67010200 - Vêtements d'une Pièce
- Classe: 67010500 - Vêtements de Nuit
- Classe: 67010900 - Vêtements de Protection
- Classe: 67010600 - Vêtements de Sport
 - Brique: 10001359 - Assortiments de Vêtements de Sport
 - Brique: 10003709 - Vêtements de Sport - Sous-vêtements
 - Brique: 10004114 - Vêtements de Sport - Ceintures
 - Brique: 10003708 - Vêtements de Sport - Coiffes
 - Brique: 10004113 - Vêtements de Sport - Écharpes/Cravates/Foulards
 - Brique: 10004115 - Vêtements de Sport - Ecussons/Boucles
 - Brique: 10003707 - Vêtements de Sport - Gants

Definition: Comprend tous les produits qui peuvent être décrits/observés comme

Attribut: 20000045 - Consumer Lifestage

Definition: Indicates, with reference to the product branding, labelling or

- Valeur: 30000147 - ADULT
- Valeur: 30000164 - ALL AGES
- Valeur: 30000528 - CHILD

- For further information about how to use GPC, consult the GPC Basics training and the GPC Access Guide
- Give us your feedback! Send an email to Jean Christophe Gilbert at jeanchristophe.gilbert@gs1fr.org
- To access and download the GPC schemas in Excel and XML format, please view the GPC Published Standards
- The GS1 GPC is a system that gives buyers and sellers a common language for grouping products in the same way, everywhere in the world. The official (normative) GPC schema and GPC Browser information is published in Oxford English. Both the schema and the browser information are translated to other languages.

[Disclaimer/Copyright](#) | [Privacy](#) | [Sitemap](#) | [Contact webmaster](#)