



ORDRSP D.01B in

based on

ORDRSP

Purchase order response message

EANCOM® 2002 S4; D.01B

- **Message Description**
- **Branching Diagram**
- **Segment Details**
- **Example message**
- **List of changes**

Version 1.1
Variant final
Version date 04.10.2021

Documentation conventions

Format

as described in column "Format" of segment details

Character type:

a :alphabetic characters
 n :numeric characters
 an :alpha-numeric characters

Status indicators

as described in column "St" of segment details

(R)equired

Indicates that the entity is required and must be sent. (This status is set by EANCOM®.)

(O)ptional

Indicates that the entity is conditional and may be sent at the discretion of the user.

(D)ependent

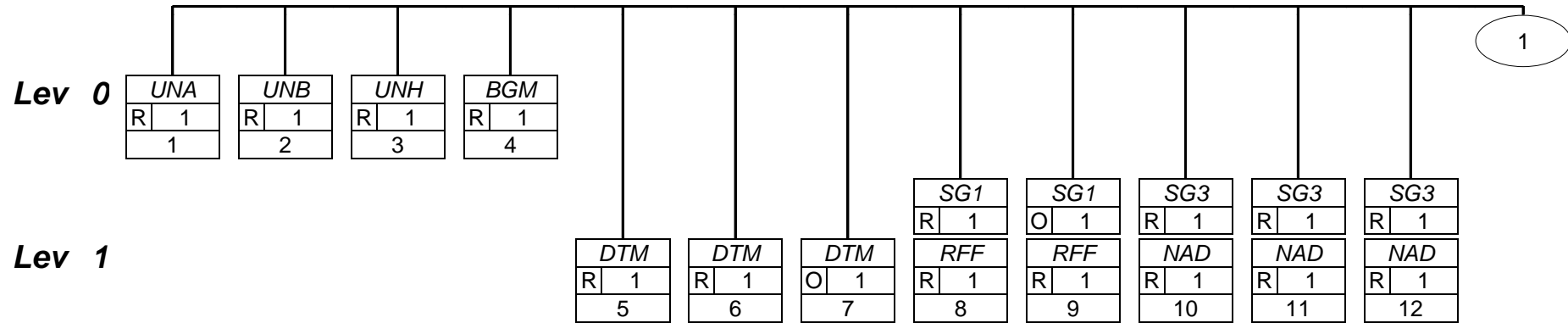
Indicates that the entity must be sent in certain conditions, as defined by the relevant explanatory note.

(N)ot used

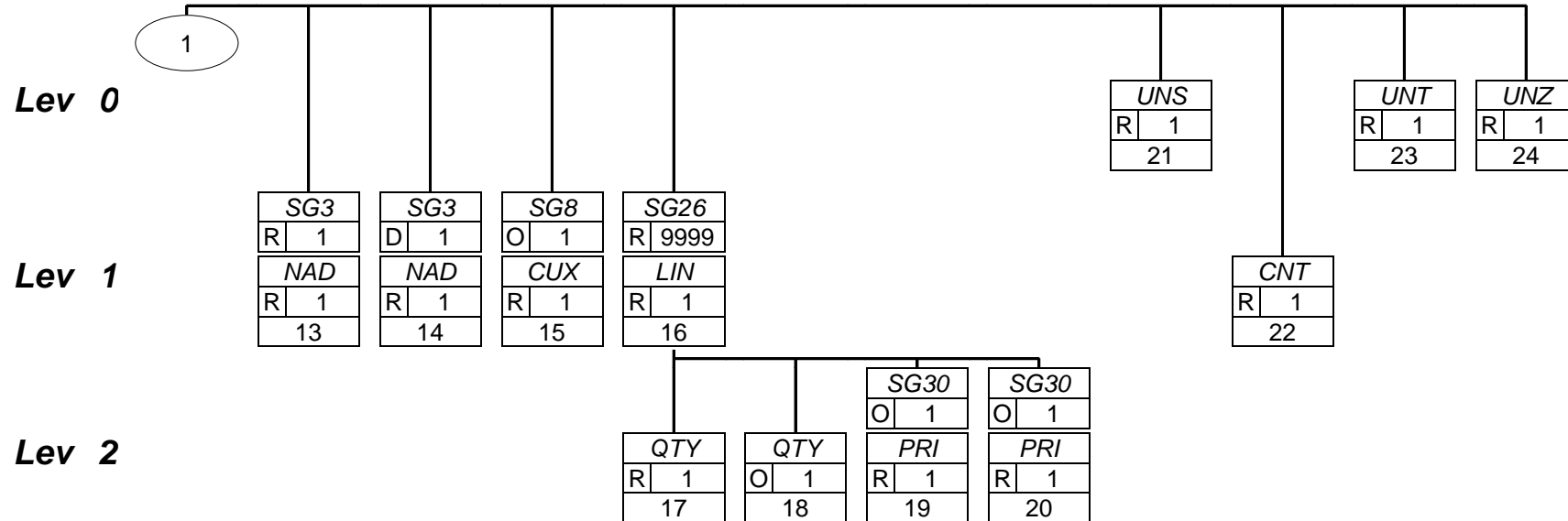
Indicates that the entity is not used.

ORDRSP D.01B in

Branching diagram



Branching diagram



Segments Layout

Segment **UNA**
 No.: 1 Level: 0
 Status R Max. occ.: 1

Description Service string advice

Description	Manor	Example	Remarks
UNA1 Component data element separator	R an1	:	Used as a separator between component data elements contained within a composite data element (value ":").
UNA2 Data element separator	R an1	+	Used to separate two simple or composite data elements (value: "+").
UNA3 Decimal mark	R an1	.	Used to indicate the character used for decimal notation (value: ".").
UNA4 Release character	R an1	?	Used to indicate the character used for decimal notation (value: ".").
UNA5 Repetition separator	R an1	'	Used to indicate the character used for repetition separation (value: " ' ").
UNA6 Segment terminator	R an1	'	Used to indicate the end of segment data (value: " ' ").

This segment is used to inform the receiver of the interchange about the set of service characters (and decimal mark) which are being used. It must immediately precede the UNB segment and contains the five service characters (positions UNA1, UNA2, UNA3, UNA4, UNA5 and UNA6) selected by the interchange sender. When expressing the service characters in the UNA segment, it is not necessary to include any element separators. Within EANCOM®, using the default set of Service characters, the use of the UNA segment is not required.

Example:

UNA:+.? '

Segments Layout

Segment **UNB** No.: 2 Level: 0
 Status R Max. occ.: 1

Description Interchange header

Description	Manor	Example	Remarks
S001 Syntax identifier	R		
0001 Syntax identifier	R a4	+UNOC	UNOC UN/ECE level C As defined in ISO 8859-1 : Information processing - Part 1: Latin alphabet No. 1.
0002 Syntax version number	R an1	:3	
S002 Interchange sender	R		
0004 Interchange sender identification	R an..35	+7600123459872	
0007 Identification code qualifier	R an..4	:14	14 GS1 Partner identification code assigned by GS1. ZZ Mutually defined
0008 Interchange sender internal identification	O an..35	:7600123456789	
S003 Interchange recipient	R		
0010 Interchange recipient identification	R an..35	+7612096000005	Manor GLN 7612096000005 = productive GLN 7612096000487 = test GLN
0007 Identification code qualifier	R an..4	:14	14 GS1 Partner identification code assigned by GS1.
S004 Date and time of preparation	R		
0017 Date	R n8	+20200305	
0019 Time	R n4	:1114	
0020 Interchange control reference	R an..14	+123456	Interchange reference
S005 Recipient reference/ password details	N		
0022 Recipient reference/ password	N an..14	+	
0026 Application reference	N an..14	+	
0029 Processing priority code	N a1	+	
0031 Acknowledgement request	N n1	+	
0032 Interchange agreement identifier	N an..35	+	
0035 Test indicator	D n1	+1'	

Example:

UNB+UNOC:3+7600123459872:14:7600123456789+7612096000005:14+20200305:1114+123456++++++1'
 - rerouting GLN included
 UNB+UNOC:3+7600123456789:14+7612096000005:14+20200305:1114+123456++++++1' - without
 rerouting GLN

Segments Layout

Segment **UNH**
 No.: 3 Level: 0
 Status R Max. occ.: 1

Description Message header

Description	Manor	Example	Remarks
0062 Message reference number	R an..14	+432251	
S009 Message identifier	R		
0065 Message type	R an..6	+ORDRSP	ORDRSP Purchase order response message
0052 Message version number	R an..3	:D	D Draft version/UN/EDIFACT Directory
0054 Message release number	R an..3	:01B	01B Release 2001 - B
0051 Controlling agency, coded	R an..3	:UN	UN UN/CEFACT
0057 Association assigned code	R an..6	:EAN007'	EAN007 EAN version control number (EAN Code)

Example:

UNH+432251+ORDRSP:D:01B:UN:EAN007'

Segments Layout

Segment

BGM

No.: 4
Status R

Level: 0
Max. occ.: 1

Description Beginning of message

Description	Manor	Example	Remarks
C002 Document/message name	R		
1001 Document name code	R an..3	+231	231 Purchase order response Response to a purchase order already received.
C106 Document/message identification	R		
1004 Document identifier	R an..35	+12856	document number
1225 Message function code	R an..3	+29'	4 Change Message containing items to be changed. 12 Not processed Message indicating that the referenced message was received but not yet processed. 27 Not accepted Message to inform that the referenced message is not accepted by the recipient. 29 Accepted without amendment Referenced message is entirely accepted.

Example:

BGM+231+12856+29'

Segments Layout

Segment **DTM**
 No.: 5 Level: 1
 Status R Max. occ.: 1

Description Date/time/period

Description	Manor	Example	Remarks
C507 Date/time/period	R		
2005 Date or time or period function code qualifier	R an..3	+137	137 Document/message date/time (2006) Date/time when a document/message is issued. This may include authentication.
2380 Date or time or period value	R an..35	:20060117140523	
2379 Date or time or period format code	R an..3	:204'	204 CCYYMMDDHHMMSS 203 CCYYMMDDHHMM

Example:

DTM+137:20060117140523:204'

Segments Layout

Segment

DTM

No.: 6 Level: 1
 Status R Max. occ.: 1

Description Date/time/period

Description	Manor	Example	Remarks
C507 Date/time/period	R		
2005 Date or time or period function code qualifier	R an..3	+17	17 Delivery date/time, estimated Date and/or time when the shipper of the goods expects delivery will take place.
2380 Date or time or period value	R an..35	:20060131000000	
2379 Date or time or period format code	R an..3	:204'	204 CCYYMMDDHHMMSS 203 CCYYMMDDHHMM

Example:

DTM+17:20060131000000:204'

Segments Layout

Segment **DTM**
 No.: 7 Level: 1
 Status O Max. occ.: 1

Description Date/time/period

Description	Manor	Example	Remarks
C507 Date/time/period	R		
2005 Date or time or period function code qualifier	R an..3	+4	4 Order date/time [2010] Date when an order is issued.
2380 Date or time or period value	R an..35	:20060131000000	
2379 Date or time or period format code	R an..3	:204'	204 CCYYMMDDHHMMSS 203 CCYYMMDDHHMM

Example:

DTM+4:20060131000000:204'

Segments Layout

Group **SG1** Status R Max. occ.: 1 RFF+ON

Segment **RFF** No.: 8 Level: 1
Status R Max. occ.: 1

Description Reference

Description	Manor	Example	Remarks
C506 Reference	R		
1153 Reference code qualifier	R an..3	+ON	ON Order number (buyer) [1022] Reference number assigned by the buyer to an order.
1154 Reference identifier	R an..70	:P004744562- RAPS-RY 74 SL'	Manor order number must be sent back identical to that in the ORDERS

Example:

RFF+ON:P004744562-RAPS-RY 74 SL'

Segments Layout

Group **SG1** Status O Max. occ.: 1 RFF+CT

Segment **RFF** No.: 9 Level: 1
Status R Max. occ.: 1

Description Reference

Description	Manor	Example	Remarks
C506 Reference	R		
1153 Reference code qualifier	R an..3	+CT	CT Contract number Reference number of a contract concluded between parties.
1154 Reference identifier	R an..70	:168746'	Manor order number must be sent back identical to that in the ORDERS

Example:

RFF+CT:168746'

Segments Layout

Group **SG3** Status R Max. occ.: 1 NAD+BY

Segment **NAD** No.: 10 Level: 1
Status R Max. occ.: 1

Description Name and address

Description	Manor	Example	Remarks
3035 Party function code qualifier	R an..3	+BY	BY Buyer Party to whom merchandise and/or service is sold.
C082 Party identification details	R		
3039 Party identifier	R an..35	+7612096832118	GLN - Format n13
1131 Code list identification code	N an..17	:	
3055 Code list responsible agency code	R an..3	:9'	9 EAN (International Article Numbering association)

Example:

NAD+BY+7612096832118::9'

Segments Layout

Group **SG3** Status R Max. occ.: 1 NAD+SU

Segment **NAD** No.: 11 Level: 1
Status R Max. occ.: 1

Description Name and address

Description	Manor	Example	Remarks
3035 Party function code qualifier	R an..3	+SU	SU Supplier Party who supplies goods and/or services.
C082 Party identification details	R		
3039 Party identifier	R an..35	+7600123456789	GLN - Format n13
1131 Code list identification code	N an..17	:	
3055 Code list responsible agency code	R an..3	:9'	9 EAN (International Article Numbering association)

Example:

NAD+SU+7600123456789::9'

Segments Layout

Group **SG3** Status R Max. occ.: 1 NAD+DP

Segment **NAD** No.: 12 Level: 1
Status R Max. occ.: 1

Description Name and address

Description	Manor	Example	Remarks
3035 Party function code qualifier	R an..3	+DP	DP Delivery party (3144) Party to which goods should be delivered, if not identical with consignee.
C082 Party identification details	R		
3039 Party identifier	R an..35	+7612096835676	GLN - Format n13
1131 Code list identification code	N an..17	:	
3055 Code list responsible agency code	R an..3	:9'	9 EAN (International Article Numbering association)

Example:

NAD+DP+7612096835676::9'

Segments Layout

Group **SG3** Status R Max. occ.: 1 NAD+IV

Segment **NAD** No.: 13 Level: 1
Status R Max. occ.: 1

Description Name and address

Description	Manor	Example	Remarks
3035 Party function code qualifier	R an..3	+IV	IV Invoicee (3006) Party to whom an invoice is issued.
C082 Party identification details	R		
3039 Party identifier	R an..35	+7612096832118	GLN - Format n13
1131 Code list identification code	N an..17	:	
3055 Code list responsible agency code	R an..3	:9'	9 EAN (International Article Numbering association)

Example:

NAD+IV+7612096832118::9'

Segments Layout

Group **SG3** Status D Max. occ.: 1 NAD+UC

Segment **NAD** No.: 14 Level: 1
Status R Max. occ.: 1

Description Name and address

Description	Manor	Example	Remarks
3035 Party function code qualifier	R an..3	+UC	UC Ultimate consignee Party who has been designated on the invoice or packing list as the final recipient of the stated merchandise.
C082 Party identification details	R		
3039 Party identifier	R an..35	+7612096836284	GLN - Format n13
1131 Code list identification code	N an..17	:	
3055 Code list responsible agency code	R an..3	:9'	9 EAN (International Article Numbering association)

Segment Notes

Required for a reply to a transit shipment (YA1) or cross-docking1 (50E) order

Example:

NAD+UC+7612096836284::9'

Segments Layout

Group **SG8** Status O Max. occ.: 1 CUX

Segment **CUX** No.: 15 Level: 1
Status R Max. occ.: 1

Description Currencies

Description	Manor	Example	Remarks
C504 Currency details	R		
6347 Currency usage code qualifier	R an..3	+2	2 Reference currency The currency applicable to amounts stated. It may have to be converted.
6345 Currency identification code	R an..3	:CHF	
6343 Currency type code qualifier	R an..3	:9'	9 Order currency The name or symbol of the monetary unit used in an order.

Example:
CUX+2:CHF:9'

Segments Layout

Group **SG26** Status R Max. occ.: 9999 LIN-QTY-SG30

Segment **LIN** No.: 16 Level: 1
Status R Max. occ.: 1

Description Line item

Description	Manor	Example	Remarks
1082 Line item identifier	R an..6	+1	
1229 Action request/notification description code	R an..3	+3	1 Added The information is to be or has been added. 3 Changed The information is to be or has been changed. 5 Accepted without amendment This line item is entirely accepted by the seller. 7 Not accepted This line item is not accepted by the seller.
C212 Item number identification	R		
7140 Item identifier	R an..35	+7612345000206	GTIN: EAN-8, UPC-A or EAN-13 The number must be the same as the number used in the Manor ORDERS
7143 Item type identification code	R an..3	:SRV'	SRV EAN.UCC Global Trade Item Number A unique number, up to 14-digits, assigned according to the numbering structure of the EAN.UCC system. 'EAN' stands for the 'International Article Numbering Association', and 'UCC' for the 'Uniform Code Council'.

Example:

LIN+1+3+7612345000206:SRV'

Segments Layout

Group **SG26** Status R Max. occ.: 9999 LIN-QTY-SG30

Segment **QTY** No.: 17 Level: 2
Status R Max. occ.: 1

Description Quantity

Description	Manor	Example	Remarks
C186 Quantity details	R		
6063 Quantity type code qualifier	R an..3	+113	113 Quantity to be delivered The quantity to be delivered.
6060 Quantity	R an..35	:48	
6411 Measurement unit code	D an..3	:PCE'	PCE Piece (GS1 Temporary Code) CMT centimetre KGM kilogram LTR litre (1 dm3) MTR metre MTK square metre CT carton This DE is only used if the product being identified is of variable quantity. If no measurement unit was sent, the measurement unit is regarded as piece.

Important

No decimal places are allowed to be sent here.

Example:

QTY+113:48'

Segments Layout

Group **SG26** Status R Max. occ.: 9999 LIN-QTY-SG30

Segment **QTY** No.: 18 Level: 2
Status O Max. occ.: 1

Description Quantity

Description	Manor	Example	Remarks
C186 Quantity details	R		
6063 Quantity type code qualifier	R an..3	+59	59 Number of consumer units in the traded unit Number of units for consumer sales in a unit for trading.
6060 Quantity	R an..35	:1	
6411 Measurement unit code	D an..3	:CT'	PCE Piece (GS1 Temporary Code) CMT centimetre KGM kilogram LTR litre (1 dm3) MTR metre MTK square metre CT carton This DE is only used if the product being identified is of variable quantity. If no measurement unit was sent, the measurement unit is regarded as piece.

Example:
QTY+59:1:CT'

Segments Layout

Group	SG26	Status R	Max. occ.: 9999	LIN-QTY-SG30
Group	SG30	Status O	Max. occ.: 1	PRI+AAA
Segment	PRI	No.: 19 Status R	Level: 2 Max. occ.: 1	

Description Price details

Description	Manor	Example	Remarks
C509 Price information	R		
5125 Price code qualifier	R an..3	+AAA	AAA Calculation net The price stated is the net price including allowances/ charges. Allowances/charges may be stated for information only.
5118 Price amount	R n..15	:14.58'	

Example:
PRI+AAA:14.58'

Segments Layout

Group	SG26	Status R	Max. occ.: 9999	LIN-QTY-SG30
Group	SG30	Status O	Max. occ.: 1	PRI+AAE
Segment	PRI	No.: 20 Status R	Level: 2 Max. occ.: 1	

Description Price details

Description	Manor	Example	Remarks
C509 Price information	R		
5125 Price code qualifier	R an..3	+AAE	AAE Information price, excluding allowances or charges, including taxes The price stated is for information purposes only and excludes all allowances and charges. Taxes however are included in the price.
5118 Price amount	R n..15	:29.95'	

Example:
PRI+AAE:29.9'

Segments Layout

Segment

UNS

No.: 21
Status R

Level: 0
Max. occ.: 1

Description Section control

Description	Manor	Example	Remarks
0081 Section identification	R a1	+S'	S Detail/summary section separation To qualify the segment UNS, when separating the detail from the summary section of a message.

Example:
UNS+S'

Segments Layout

Segment **CNT**
 No.: 22 Level: 1
 Status R Max. occ.: 1

Description Control total

Description	Manor	Example	Remarks
C270 Control	R		
6069 Control total type code qualifier	R an..3	+2	2 Number of line items in message
6066 Control total value	R n..18	:4'	

Example:
 CNT+2:4'

Segments Layout

Segment **UNT** No.: 23 Level: 0
 Status R Max. occ.: 1

Description Message trailer

Description	Manor	Example	Remarks
0074 Number of segments in a message	R n..10	+22	The total number of segments in the message is detailed here.
0062 Message reference number	R an..14	+432251'	The message reference detailed here should equal the one specified in the UNH segment.

Example:

UNT+22+432251'

Segments Layout

Segment **UNZ**
 No.: 24 Level: 0
 Status R Max. occ.: 1

Description Interchange trailer

Description	Manor	Example	Remarks
0036 Interchange control count	R n..6	+1	The total number of messages in the interchange is detailed here.
0020 Interchange control reference	R an..14	+123456'	The interchange reference detailed here should equal the one specified in the UNB segment.

Example:

UNZ+1+123456'

Example

UNA:+.? '
 UNB+UNOC:3+7600123459872:14:7600123456789+7612096000005:14+20200305:1114+123456+++++1'
 UNH+432251+ORDRSP:D:01B:UN:EAN007'
 BGM+231+12856+29'
 DTM+137:20060117140523:204'
 DTM+17:20060131000000:204'
 DTM+4:20051231000000:204'
 RFF+ON: **P004744562-RAPS-RY 74 SL'** **→ Manor order number must be sent back identical to that in the ORDERS**
 RFF+CT:168746'
 NAD+BY+7612096832118::9'
 NAD+SU+7600123456789::9'
 NAD+DP+7612096835676::9'
 NAD+IV+7612096832118::9'
NAD+UC+7612096836284::9' **→ Required for a reply to a transit shipment (YA1) or cross-docking1 (50E) order**
 CUX+2:CHF:9'
 LIN+1+3+7612345000206:SRV'
 QTY+113:48:PCE'
 QTY+59:1:CT'
 PRI+AAA:14.58'
 PRI+AAE:29.95'
 UNS+S'
 CNT+2:4'
 UNT+22+432251'
 UNZ+1+123456'

List of changes

Version.	Description	Segments and elements
V1.1 (#SR- 3093943)	Number of consumer units in the traded unit in the QTY "59" expanded	SG26 # QTY+59