



## ORDERS D.01B in

based on

### **ORDERS**

Purchase order message

### **EANCOM® 2002 S4; D.01B**

- **Message Description**
- **Branching Diagram**
- **Segment Details**
- **Example message**
- **List of changes**

Version 1.2  
Variant final  
Version date 29.11.2021

## Documentation conventions

### **Format**

as described in column "Format" of segment details

Character type:

a :alphabetic characters  
n :numeric characters  
an :alpha-numeric characters

### **Status indicators**

as described in column "St" of segment details

(R)equired

Indicates that the entity is required and must be sent. (This status is set by EANCOM®.)

(O)ptional

Indicates that the entity is conditional and may be sent at the discretion of the user.

(D)ependent

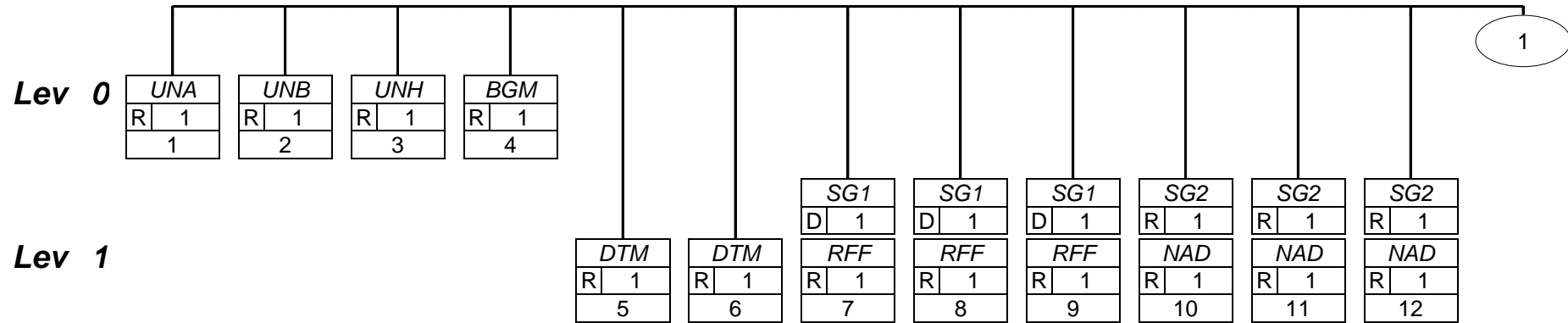
Indicates that the entity must be sent in certain conditions, as defined by the relevant explanatory note.

(N)ot used

Indicates that the entity is not used.

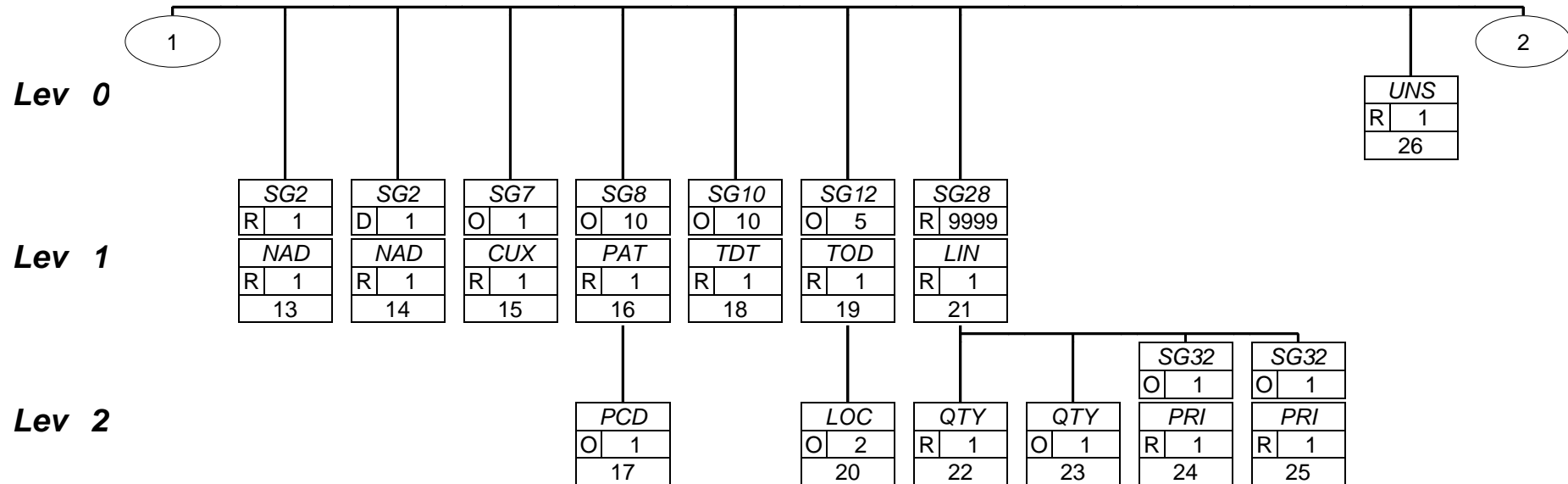
# ORDERS D.01B in

## Branching diagram



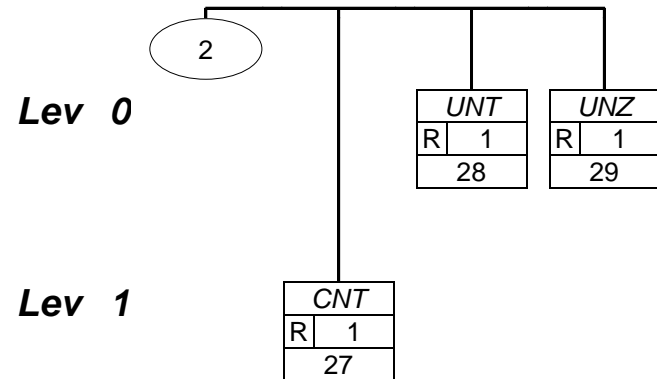
# ORDERS D.01B in

## Branching diagram



# ORDERS D.01B in

## Branching diagram



## Segments Layout

**Segment** **UNA**
 No.: 1      Level: 0  
 Status R      Max. occ.: 1

**Description      Service string advice**

Description	Manor	Example	Remarks
UNA1 Component data element separator	R an1	:	Used as a separator between component data elements contained within a composite data element (value ":" ).
UNA2 Data element separator	R an1	+	Used to separate two simple or composite data elements (value: "+" ).
UNA3 Decimal mark	R an1	.	Used to indicate the character used for decimal notation (value: "." ).
UNA4 Release character	R an1	?	Used to indicate the character used for decimal notation (value: "." ).
UNA5 Repetition separator	R an1	'	Used to indicate the character used for repetition separation (value: " ' " ).
UNA6 Segment terminator	R an1	'	Used to indicate the end of segment data (value: " ' " ).

This segment is used to inform the receiver of the interchange about the set of service characters (and decimal mark) which are being used. It must immediately precede the UNB segment and contains the five service characters (positions UNA1, UNA2, UNA3, UNA4, UNA5 and UNA6) selected by the interchange sender. When expressing the service characters in the UNA segment, it is not necessary to include any element separators. Within EANCOM®, using the default set of Service characters, the use of the UNA segment is not required.

**Example:**

UNA:+.? '

## Segments Layout

Segment

**UNB**

No.: 2  
Status R

Level: 0  
Max. occ.: 1

### Description Interchange header

Description	Manor	Example	Remarks
S001 Syntax identifier	R		
0001 Syntax identifier	R a4	+UNOC	<b>UNOC</b> UN/ECE level C As defined in ISO 8859-1 : Information processing - Part 1: Latin alphabet No. 1.
0002 Syntax version number	R an1	:3	
S002 Interchange sender	R		
0004 Interchange sender identification	R an..35	+7600123459872	
0007 Identification code qualifier	R an..4	:14	<b>14</b> GS1 Partner identification code assigned by GS1. <b>ZZ</b> Mutually defined
0008 Interchange sender internal identification	O an..35	:7600123456789	
S003 Interchange recipient	R		
0010 Interchange recipient identification	R an..35	+7612096000005	Manor GLN 7612096000005 = productive GLN 7612096000487 = test GLN
0007 Identification code qualifier	R an..4	:14	<b>14</b> GS1 Partner identification code assigned by GS1.
S004 Date and time of preparation	R		
0017 Date	R n8	+20200305	
0019 Time	R n4	:1114	
0020 Interchange control reference	R an..14	+123456	
S005 Recipient reference/ password details	N		
0022 Recipient reference/ password	N an..14	+	
0026 Application reference	N an..14	+	
0029 Processing priority code	N a1	+	
0031 Acknowledgement request	N n1	+	
0032 Interchange agreement identifier	N an..35	+	
0035 Test indicator	D n1	+1'	

#### Example:

UNB+UNOC:3+7600123459872:14:7600123456789+7612096000005:14+20200305:1114+123456++++++1'

- rerouting GLN included

UNB+UNOC:3+7600123456789:14+7612096000005:14+20200305:1114+123456++++++1' - without rerouting GLN

## Segments Layout

**Segment** **UNH** No.: 3 Level: 0  
 Status R Max. occ.: 1

### Description Message header

Description	Manor	Example	Remarks
0062 Message reference number	R an..14	+1	Sender's unique message reference.
S009 Message identifier	R		
0065 Message type	R an..6	+ORDERS	<b>ORDERS</b> Purchase order message
0052 Message version number	R an..3	:D	<b>D</b> Draft version/UN/EDIFACT Directory
0054 Message release number	R an..3	:01B	<b>01B</b> Release 2001 - B
0051 Controlling agency, coded	R an..3	:UN	<b>UN</b> UN/CEFACT
0057 Association assigned code	R an..6	:EAN010'	<b>EAN010</b> EAN version control number (EAN Code)

#### Example:

UNH+1+ORDERS:D:01B:UN:EAN010'



## Segments Layout

Segment

**BGM**

No.: 4  
Status R

Level: 0  
Max. occ.: 1

### Description Beginning of message

Description	Manor	Example	Remarks
C002 Document/message name	R		
1001 Document name code	R an..3	+22E	<b>22E</b> Manufacturer raised order Document/message providing details of an order which has been raised by a manufacturer.
			<b>23E</b> Manufacturer raised consignment order Document/message providing details of a consignment order which has been raised by a manufacturer.
1131 Code list identification code	N an..17	:	
3055 Code list responsible agency code	O an..3	:9	<b>9</b> GS1
C106 Document/message identification	R		
1004 Document identifier	R an..35	+128576	document number
1225 Message function code	R an..3	+9'	<b>5</b> Replace Message replacing a previous message.
			<b>9</b> Original Initial transmission related to a given transaction.

#### Example:

BGM+22E::9+33024+9'

## Segments Layout

Segment

**DTM**

No.: 5      Level: 1  
 Status R      Max. occ.: 1

**Description      Date/time/period**

Description	Manor	Example	Remarks
C507 Date/time/period	R		
2005 Date or time or period function code qualifier	R an..3	+137	<b>137</b> Document/message date/time (2006) Date/time when a document/ message is issued. This may include authentication.
2380 Date or time or period value	R an..35	:20200305083500	
2379 Date or time or period format code	R an..3	:204'	<b>204</b> CCYYMMDDHHMMSS <b>203</b> CCYYMMDDHHMM

**Example:**

DTM+137:20050130083015:204'

## Segments Layout

**Segment** **DTM**
 No.: 6      Level: 1  
 Status R      Max. occ.: 1

**Description      Date/time/period**

Description	Manor	Example	Remarks
C507 Date/time/period	R		
2005 Date or time or period function code qualifier	R an..3	+63	<b>63</b> Delivery date/time, latest Date identifying a point of time after which goods shall not or will not be delivered.
2380 Date or time or period value	R an..35	:20200311000000	
2379 Date or time or period format code	R an..3	:204'	<b>204</b> CCYYMMDDHHMMSS <b>203</b> CCYYMMDDHHMM

**Example:**

DTM+63:20200311000000:204'

## Segments Layout

**Group** **SG1** Status D Max. occ.: 1 RFF+PD

**Segment** **RFF** No.: 7 Level: 1  
Status R Max. occ.: 1

### Description Reference

Description	Manor	Example	Remarks
C506 Reference	R		<b>PD</b> Promotion deal number Number assigned by a vendor to a special promotion activity.
1153 Reference code qualifier	R an..3	+PD	
1154 Reference identifier	R an..70	:652744'	

**Example:**

RFF+PD:652744'

## Segments Layout

**Group** **SG1** Status D Max. occ.: 1 RFF+CT

**Segment** **RFF** No.: 8 Level: 1  
Status R Max. occ.: 1

### Description Reference

Description	Manor	Example	Remarks
C506 Reference	R		<b>CT</b> Contract number Reference number of a contract concluded between parties.
1153 Reference code qualifier	R an..3	+CT	
1154 Reference identifier	R an..70	:16546'	

**Example:**

RFF+CT:16546'

## Segments Layout

**Group** **SG1** Status D Max. occ.: 1 RFF+VN

**Segment** **RFF** No.: 9 Level: 1  
Status R Max. occ.: 1

### Description Reference

Description	Manor	Example	Remarks
C506 Reference	R		<b>VN</b> Order number (supplier) Reference number assigned by supplier to a buyer's purchase order.
1153 Reference code qualifier	R an..3	+VN	
1154 Reference identifier	R an..70	:128576'	

### Segment Notes

this reference number must correspond with the BGM number (DG-C106\_DE-1004)

### Example:

RFF+VN:128576'

## Segments Layout

**Group** **SG2** Status R Max. occ.: 1 NAD+BY

**Segment** **NAD** No.: 10 Level: 1  
Status R Max. occ.: 1

### Description Name and address

Description	Manor	Example	Remarks
3035 Party function code qualifier	R an..3	+BY	<b>BY</b> Buyer Party to whom merchandise and/or service is sold.
C082 Party identification details	R		
3039 Party identifier	R an..35	+7612096832118	GLN - Format n13
1131 Code list identification code	N an..17	:	
3055 Code list responsible agency code	R an..3	:9'	<b>9</b> EAN (International Article Numbering association)

**Example:**

NAD+BY+7612096832118::9'

## Segments Layout

**Group** **SG2** Status R Max. occ.: 1 NAD+SU

**Segment** **NAD** No.: 11 Level: 1  
Status R Max. occ.: 1

### Description Name and address

Description	Manor	Example	Remarks
3035 Party function code qualifier	R an..3	+SU	<b>SU</b> Supplier Party who supplies goods and/or services.
C082 Party identification details	R		
3039 Party identifier	R an..35	+7600123456789	GLN - Format n13
1131 Code list identification code	N an..17	:	
3055 Code list responsible agency code	R an..3	:9'	<b>9</b> EAN (International Article Numbering association)

**Example:**

NAD+SU+7600123456789::9'



## Segments Layout

**Group** **SG2** Status R Max. occ.: 1 NAD+DP

**Segment** **NAD** No.: 12 Level: 1  
Status R Max. occ.: 1

### Description Name and address

Description	Manor	Example	Remarks
3035 Party function code qualifier	R an..3	+DP	<b>DP</b> Delivery party (3144) Party to which goods should be delivered, if not identical with consignee.
C082 Party identification details	R		
3039 Party identifier	R an..35	+7612096835676	GLN - Format n13
1131 Code list identification code	N an..17	:	
3055 Code list responsible agency code	R an..3	:9'	<b>9</b> EAN (International Article Numbering association)

**Example:**

NAD+DP+7612096835676::9'

## Segments Layout

**Group** **SG2** Status R Max. occ.: 1 NAD+IV

**Segment** **NAD** No.: 13 Level: 1  
Status R Max. occ.: 1

### Description Name and address

Description	Manor	Example	Remarks
3035 Party function code qualifier	R an..3	+IV	<b>IV</b> Invoicee (3006) Party to whom an invoice is issued.
C082 Party identification details	R		
3039 Party identifier	R an..35	+7612096832118	GLN - Format n13
1131 Code list identification code	N an..17	:	
3055 Code list responsible agency code	R an..3	:9'	<b>9</b> EAN (International Article Numbering association)

**Example:**

NAD+IV+7612096832118::9'

## Segments Layout

**Group** **SG2** Status D Max. occ.: 1 NAD+UC

**Segment** **NAD** No.: 14 Level: 1  
Status R Max. occ.: 1

**Description Name and address**

Description	Manor	Example	Remarks
3035 Party function code qualifier	R an..3	+UC	<b>UC</b> Ultimate consignee Party who has been designated on the invoice or packing list as the final recipient of the stated merchandise.
C082 Party identification details	R		
3039 Party identifier	R an..35	+7612096836284	GLN - Format n13
1131 Code list identification code	N an..17	:	
3055 Code list responsible agency code	R an..3	:9'	<b>9</b> EAN (International Article Numbering association)

**Segment Notes**

Required for a transit shipment (YA1) or cross-docking1 (50E) order

**Example:**

NAD+UC+7612096836284::9'

## Segments Layout

**Group** **SG7** Status O Max. occ.: 1 CUX

**Segment** **CUX** No.: 15 Level: 1  
Status R Max. occ.: 1

### Description Currencies

Description	Manor	Example	Remarks
C504 Currency details	R		
6347 Currency usage code qualifier	R an..3	+2	<b>2</b> Reference currency The currency applicable to amounts stated. It may have to be converted.
6345 Currency identification code	R an..3	:CHF	ISO 4217 three alpha.
6343 Currency type code qualifier	R an..3	:9'	<b>9</b> Order currency The name or symbol of the monetary unit used in an order.

**Example:**  
CUX+2:CHF:9'

## Segments Layout

**Group** **SG8** Status O Max. occ.: 10 PAT-PCD

**Segment** **PAT** No.: 16 Level: 1  
Status R Max. occ.: 1

### Description Payment terms basis

Description	Manor	Example	Remarks
4279 Payment terms type code qualifier	M an..3	+22	<b>22</b> Discount Payment terms on which discounts are applicable.
C110 Payment terms	N		
4277 Payment terms description identifier	N an..17	+	
C112 Terms/time information	R		
2475 Time reference code	R an..3	+5	<b>5</b> Date of invoice Payment time reference is date of invoice.
2009 Terms time relation code	R an..3	:3	<b>3</b> After reference Payment terms related to time after reference date.
2151 Period type code	R an..3	:D	<b>D</b> Day The twenty-four hour period during which the earth completes one rotation on its axis.
2152 Period count quantity	R n..3	:30'	Number of periods for payment

This segment is used by the issuer of the order to request special payment terms for the current order only.

This example indicates discount payment terms with payment due 30 days after the reference date which in this case is the invoice date.

**Example:**

PAT+22++5:3:D:30'

## Segments Layout

**Group** **SG8** Status O Max. occ.: 10 PAT-PCD

**Segment** **PCD** No.: 17 Level: 2  
Status O Max. occ.: 1

### Description Percentage details

Description	Manor	Example	Remarks
C501 Percentage details	R		
5245 Percentage type code qualifier	R an..3	+12	<b>12</b> Discount Discount expressed as a percentage.
5482 Percentage	R n..10	:9'	

**Example:**  
PCD+12:3'

## Segments Layout

**Group** **SG10** Status O Max. occ.: 10 TDT

**Segment** **TDT** No.: 18 Level: 1  
Status R Max. occ.: 1

### Description Details of transport

Description	Manor	Example	Remarks
8051 Transport stage code qualifier	R an..3	+20	<b>20</b> Main-carriage transport The primary stage in the movement of cargo from the point of origin to the intended destination.
8028 Means of transport journey identifier	N an..17	+	
C220 Mode of transport	R		
8067 Transport mode name code	R an..3	+10'	<b>10</b> Maritime transport This code should be used whenever the transport vehicle completes any part of ist journey by sea. <b>20</b> Rail transport <b>30</b> Road transport <b>40</b> Air transport <b>50</b> Mail (Actual mode of transport unknown) - This code is provided for practical reasons, despite the fact that mail is not a genuine mode of transport. In many countries, the value of merchandise exported by mail is considerable, but the exporter or importer concerned would be unable to state by which mode postal items had passed the national border. <b>60</b> Multimodal transport This code is used when goods are carried to their destination by at least two different modes on the basis of one transport contract. (Local pick-up and delivery of goods out in the performance of a unimodal transport contract shall not be considered as multimodal transport.) <b>100</b> Courier service (GS1 Temporary Code) A courier service used to collect and deliver a consignment to its destination.

**Example:**

TDT+20++10'

## Segments Layout

**Group** **SG12** Status O Max. occ.: 5 TOD-LOC

**Segment** **TOD** No.: 19 Level: 1  
Status R Max. occ.: 1

### Description Terms of delivery or transport

Description	Manor	Example	Remarks
4055 Delivery or transport terms function code	R an..3	+6	<b>6</b> Delivery condition Specifies the conditions under which the goods must be delivered to the consignee.
4215 Transport charges payment method code	N an..3	+	
C100 Terms of delivery or transport	O		
4053 Delivery or transport terms description code	R an..3	+01E'	Use INCOTERMS 1990 (See EANCOM Code Sets)

**Example:**

TOD+6++FCA'



## Segments Layout

**Group** **SG12** Status O Max. occ.: 5 TOD-LOC

**Segment** **LOC** No.: 20 Level: 2  
Status O Max. occ.: 2

### Description Place/location identification

Description	Manor	Example	Remarks
3227 Location function code qualifier	R an..3	+1	<b>1</b> Place of terms of delivery (3018) Point or port of departure, shipment or destination, as required under the applicable terms of delivery, e.g. Incoterms.
C517 Location identification	C		
3225 Location name code	O an..25	+BDCGP	
1131 Code list identification code	N an..17	:	
3055 Code list responsible agency code	O an..3	:6	<b>6</b> UN/ECE (United Nations - Economic Commission for Europe) United Nations Economic Commission for Europe.
3224 Location name	O an..25	:Chittagong'	

**Example:**

LOC+1+BDCGP::6:Chittagong'

## Segments Layout

**Group** **SG28** Status R Max. occ.: 9999 LIN-QTY-SG32

**Segment** **LIN** No.: 21 Level: 1  
Status R Max. occ.: 1

### Description Line item

Description	Manor	Example	Remarks
1082 Line item identifier	R an..6	+1	Application generated number of the count of the order lines.
1229 Action request/notification description code	N an..3	+	
C212 Item number identification	R		
7140 Item identifier	R an..35	+7612345000206	GTIN: EAN-8, UPC-A or EAN-13
7143 Item type identification code	R an..3	:SRV'	<b>SRV</b> GS1 Global Trade Item Number A unique number, up to 14-digits, assigned according to the numbering structure of the GS1 system. 'GS1' stands for the 'Global Standards One'.

**Example:**

LIN+1++7612345000206:SRV'

## Segments Layout

**Group** **SG28** Status R Max. occ.: 9999 LIN-QTY-SG32

**Segment** **QTY** No.: 22 Level: 2  
Status R Max. occ.: 1

### Description Quantity

Description	Manor	Example	Remarks
C186 Quantity details	R		
6063 Quantity type code qualifier	R an..3	+21	<b>21</b> Ordered quantity The quantity which has been ordered.
6060 Quantity	R an..35	:48	
6411 Measurement unit code	D an..3	:PCE'	<b>PCE</b> Piece (GS1 Temporary Code) <b>CMT</b> centimetre <b>KGM</b> kilogram <b>LTR</b> litre (1 dm3) <b>MTR</b> metre <b>MTK</b> square metre <b>CT</b> carton This DE is only used if the product being identified is of variable quantity. If no measurement unit was sent, the measurement unit is regarded as piece.

#### Important

No decimal places are allowed to be sent here.

#### Example:

QTY+21:48:KGM'

## Segments Layout

**Group** **SG28** Status R Max. occ.: 9999 LIN-QTY-SG32

**Segment** **QTY** No.: 23 Level: 2  
Status O Max. occ.: 1

### Description Quantity

Description	Manor	Example	Remarks
C186 Quantity details	R		
6063 Quantity type code qualifier	R an..3	+59	<b>59</b> Number of consumer units in the traded unit Number of units for consumer sales in a unit for trading.
6060 Quantity	R an..35	:1	
6411 Measurement unit code	D an..3	:CT'	<b>PCE</b> Piece (GS1 Temporary Code) <b>CMT</b> centimetre <b>KGM</b> kilogram <b>LTR</b> litre (1 dm3) <b>MTR</b> metre <b>MTK</b> square metre <b>CT</b> carton This DE is only used if the product being identified is of variable quantity. If no measurement unit was sent, the measurement unit is regarded as piece.

**Example:**  
QTY+59:1:CT'

## Segments Layout

**Group** **SG28** Status R Max. occ.: 9999 LIN-QTY-SG32

**Group** **SG32** Status O Max. occ.: 1 PRI+AAA

**Segment** **PRI** No.: 24 Level: 2  
Status R Max. occ.: 1

### Description Price details

Description	Manor	Example	Remarks
C509 Price information	R		
5125 Price code qualifier	R an..3	+AAA	<b>AAA</b> Calculation net The price stated is the net price including all allowances and charges and excluding taxes. Allowances and charges may be stated for information purposes only.
5118 Price amount	R n..15	:14.58'	

**Example:**

PRI+AAA:14.58'

**Segments Layout**

<b>Group</b>	<b>SG28</b>	Status R	Max. occ.: 9999	LIN-QTY-SG32
<b>Group</b>	<b>SG32</b>	Status O	Max. occ.: 1	PRI+AAE
<b>Segment</b>	<b>PRI</b>	No.: 25 Status R	Level: 2 Max. occ.: 1	

**Description Price details**

Description	Manor	Example	Remarks
C509 Price information	R		
5125 Price code qualifier	R an..3	+AAE	<b>AAE</b> Information price, excluding allowances or charges, including taxes The price stated is for information purposes only and excludes all allowances and charges. Taxes however are included in the price.
5118 Price amount	R n..15	:29.95'	

**Example:**  
PRI+AAE:29.95'

## Segments Layout

Segment

**UNS**

No.: 26  
Status R

Level: 0  
Max. occ.: 1

**Description    Section control**

Description	Manor	Example	Remarks
0081 Section identification	R a1	+S'	<b>S</b> Detail/summary section separation

**Example:**

UNS+S'

## Segments Layout

**Segment** **CNT**
 No.: 27      Level: 1  
 Status R      Max. occ.: 1

**Description      Control total**

Description	Manor	Example	Remarks
C270 Control	R		
6069 Control total type code qualifier	R an..3	+2	<b>2</b> Number of line items in message
6066 Control total value	R n..18	:4'	

**Example:**  
 CNT+2:4'



## Segments Layout

**Segment** **UNT** No.: 28 Level: 0  
 Status R Max. occ.: 1

**Description Message trailer**

Description	Manor	Example	Remarks
0074 Number of segments in a message	R n..10	+22	
0062 Message reference number	R an..14	+1'	The message reference number detailed here should equal the one specified in the UNH segment.

**Example:**  
 UNT+22+1'

## Segments Layout

**Segment** **UNZ**
 No.: 29      Level: 0  
 Status R      Max. occ.: 1

**Description    Interchange trailer**

Description	Manor	Example	Remarks
0036 Interchange control count	R n..6	+1	The total number of messages in the interchange is detailed here.
0020 Interchange control reference	R an..14	+123456'	The interchange reference detailed here should equal the one specified in the UNB segment.

**Example:**

UNZ+1+123456'

## Example

UNA:+.? '  
UNB+UNOC:3+7600123459872:14:7600123456789+7612096000005:14+20200305:1114+123456+++++1'  
UNH+1+ORDERS:D:01B:UN:EAN010'  
BGM+22E::9+128576+9'  
DTM+137:20200305083500:204'  
DTM+63:20200311000000:204'  
RFF+PD:652744'  
RFF+CT:16546'  
RFF+VN:128576'  
NAD+BY+7612096832118::9'  
NAD+SU+7600123456789::9'  
NAD+DP+7612096835676::9'  
NAD+IV+7612096832118::9'  
**NAD+UC+7612096836284::9'** → Required for a transit shipment (YA1) or  
cross-docking1 (50E) order  
CUX+2:CHF:9'  
PAT+22++5:3:D:30'  
PCD+12:9'  
TDT+20++10'  
TOD+6++01E'  
LOC+1+BDCGP::6:Chittagong'  
LIN+1++7612345000206:SRV'  
QTY+21:48:KGM'  
QTY+59:1:CT'  
PRI+AAA:14.58'  
PRI+AAE:29.95'  
UNS+S'  
CNT+2:4'  
UNT+22+1'  
UNZ+1+123456'

## List of changes

Version.	Description	Segments and elements
V1.2 (#Mail from Michael Cinicki)	Segment group SG1 with the segments Reference Contract number RFF+CT write error corrected in the example	SG1 (RFF+CT)
V1.2 (#Mail from Michael Cinicki)	Segment group SG1 with the segments Reference Order number (supplier) RFF+VN write error corrected in the example and added remark Segment Note	SG1 (RFF+VN)
V1.1 (#SR-3093943)	Segment group SG8 with the segments Payment terms basis PAT and Percentage details PCD expanded	SG8 (PAT & PCD)
V1.1 (#SR-3093943)	Segment group SG10 with the segments Details of transport TDT expanded	SG10 (TDT)
V1.1 (#SR-3093943)	Segment group SG12 with the segments Terms of delivery or transport TOD and Place/location identification LOC expanded	SG12 (TOD & LOC)
V1.1 (#SR-3093943)	Number of consumer units in the traded unit in the QTY "59" expanded	SG28 # QTY+59