



## ORDCHG D.01B out

based on

### **ORDCHG**

Purchase order change request message

### **EANCOM® 2002 S4; D.01B**

- **Message Description**
- **Branching Diagram**
- **Segment Details**
- **Example message**
- **List of changes**

Version 1.0  
Variant final  
Version date 11.04.2022

## Documentation conventions

### **Format**

as described in column "Format" of segment details

Character type:

a :alphabetic characters  
n :numeric characters  
an :alpha-numeric characters

### **Status indicators**

as described in column "St" of segment details

(R)quired

Indicates that the entity is required and must be sent. (This status is set by EANCOM®.)

(O)ptional

Indicates that the entity is conditional and may be sent at the discretion of the user.

(D)ependent

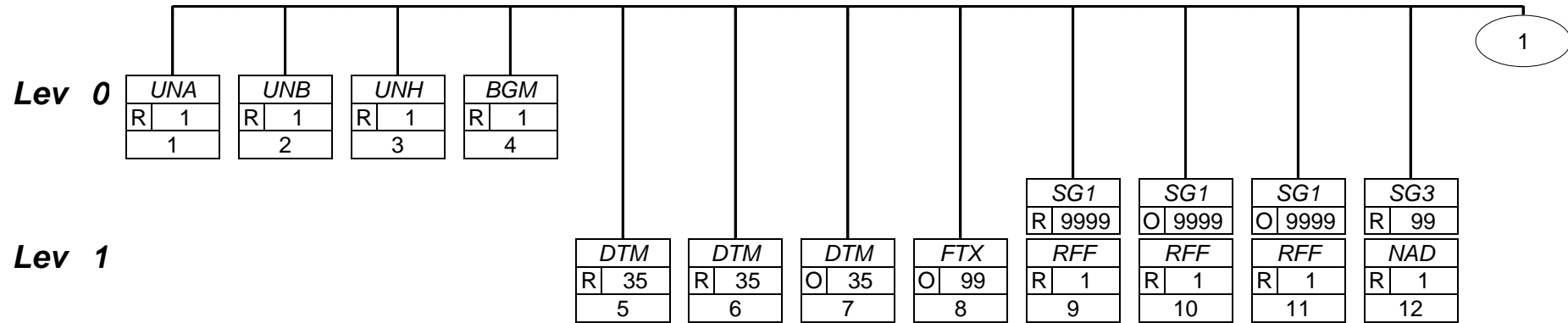
Indicates that the entity must be sent in certain conditions, as defined by the relevant explanatory note.

(N)ot used

Indicates that the entity is not used.

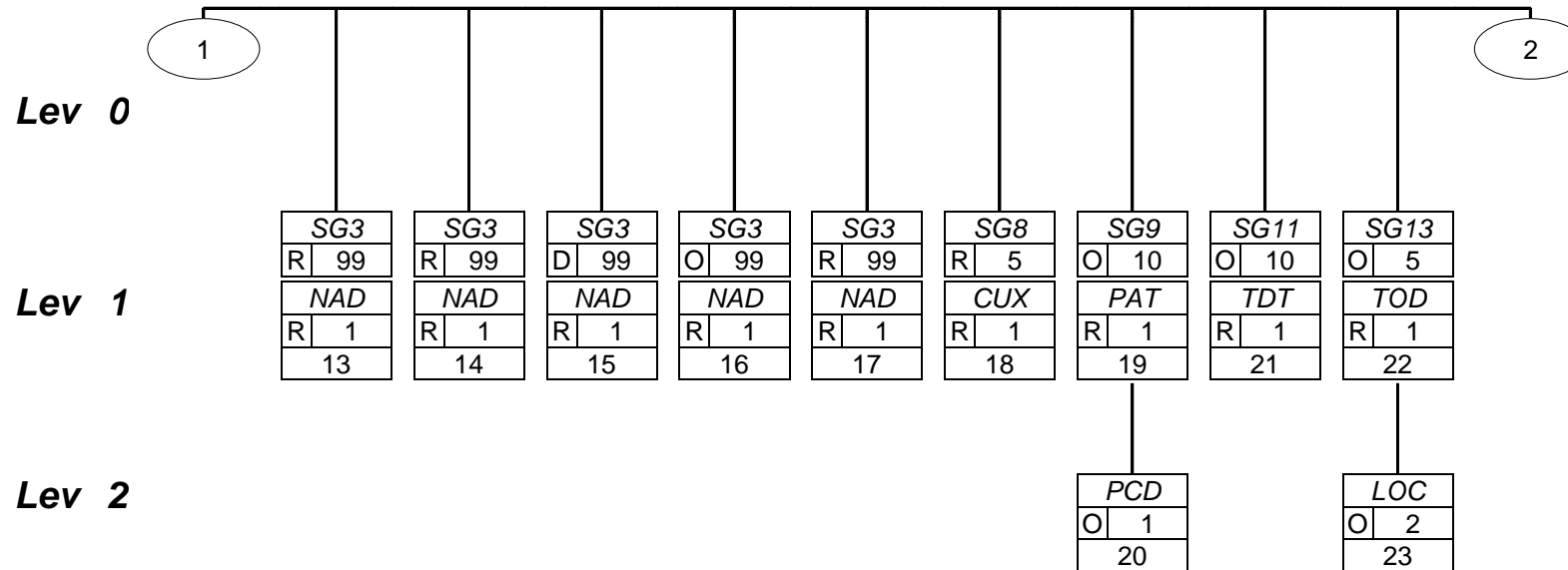
# ORDCHG D.01B out

## Branching diagram

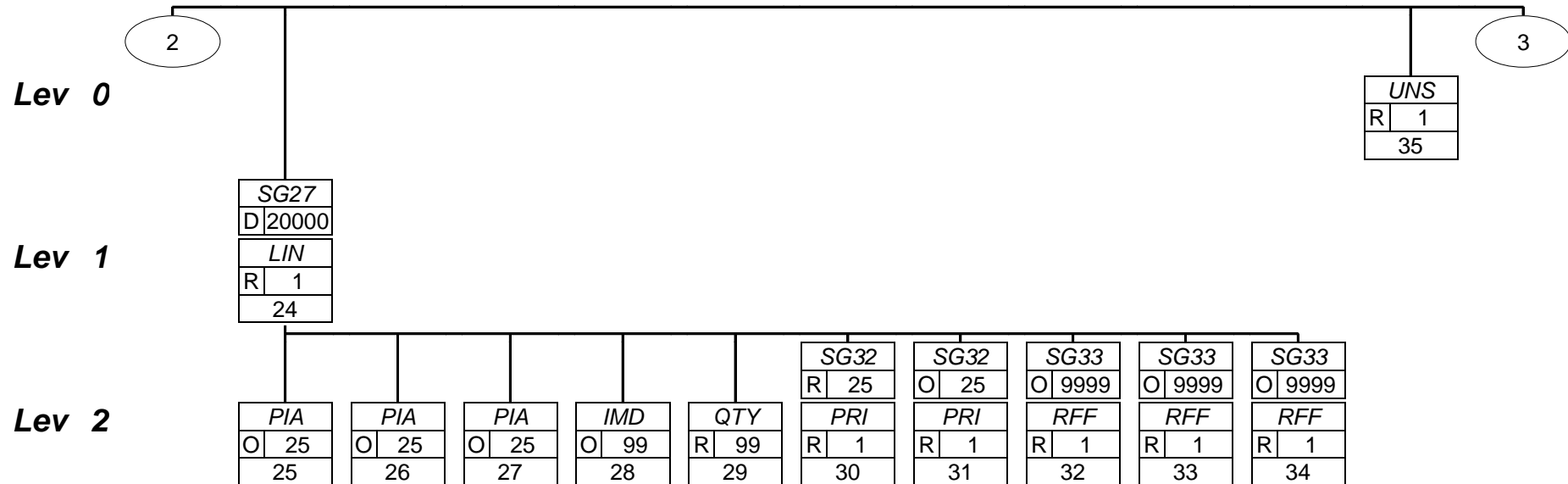


# ORDCHG D.01B out

## Branching diagram

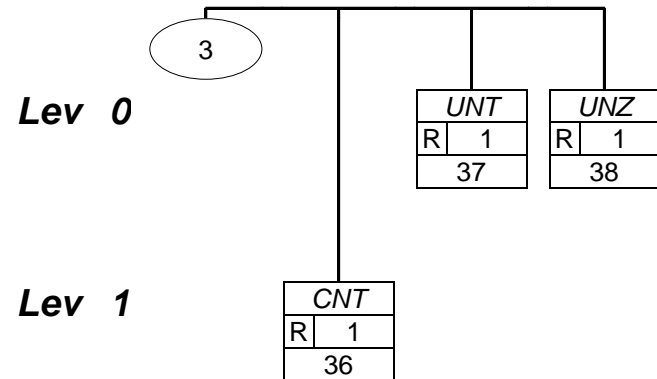


## Branching diagram



# ORDCHG D.01B out

## Branching diagram



## Segments Layout

Segment **UNA** No.: 1 Level: 0  
 Status R Max. occ.: 1

### Description Service string advice

Description	Manor	Example	Remarks
UNA1 Component data element separator	R an1	:	Used as a separator between component data elements contained within a composite data element (value ":" ).
UNA2 Data element separator	R an1	+	Used to separate two simple or composite data elements (value: "+" ).
UNA3 Decimal mark	R an1	.	Used to restore any service character to its original specification (value: "?" ).
UNA4 Release character	R an1	?	Used to indicate the character used for decimal notation (value: "?" ).
UNA5 Repetition separator	R an1	*	Used to indicate the character used for repetition separation (value: " * " ).
UNA6 Segment terminator	R an1	'	Used to indicate the end of segment data (value: " ' " ).

This segment is used to inform the receiver of the interchange about the set of service characters (and decimal mark) which are being used. It must immediately precede the UNB segment and contains the five service characters (positions UNA1, UNA2, UNA3, UNA4, UNA5 and UNA6) selected by the interchange sender. When expressing the service characters in the UNA segment, it is not necessary to include any element separators. Within EANCOM®, using the default set of Service characters, the use of the UNA segment is not required.

**Example:**

UNA:+.?\*

## Segments Layout

Segment

**UNB**

No.: 2  
Status R

Level: 0  
Max. occ.: 1

### Description Interchange header

Description	Manor	Example	Remarks
S001 Syntax identifier	R		
0001 Syntax identifier	R a4	+UNOC	<b>UNOC</b> UN/ECE level C
0002 Syntax version number	R an1	:4	<b>4</b> Version 4
S002 Interchange sender	R		
0004 Interchange sender identification	R an..35	+7612096000005	Interchange sender identification Manor GLN 7612096000005 = productive GLN 7612096000487 = test GLN Format n13
0007 Identification code qualifier	R an..4	:14	<b>14</b> GS1
S003 Interchange recipient	R		
0010 Interchange recipient identification	R an..35	+7699999999999	Interchange recipient identification usually GLN
0007 Identification code qualifier	R an..4	:14	<b>14</b> GS1
S004 Date and time of preparation	R		
0017 Date	R n8	+20210722	yyyyMMdd
0019 Time	R n4	:1321	hhmm
0020 Interchange control reference	R an..14	+6838	Interchange reference
S005 Recipient reference/ password details	N		
0022 Recipient reference/ password	N an..14	+	
0026 Application reference	N an..14	+	
0029 Processing priority code	N a1	+	
0031 Acknowledgement request	N n1	+	
0032 Interchange agreement identifier	N an..35	+	
0035 Test indicator	D n1	+1'	<b>1</b> Interchange is a test Indicates that the interchange is a test.

This segment is used to envelope the interchange, as well as to identify both, the party to whom the interchange is sent and the party who has sent the interchange. The principle of the UNB segment is the same as a physical envelope which covers one or more letters or documents, and which details, both the address where delivery is to take place and the address from where the envelope has come.

**Example:**

UNB+UNOC:4+7612096000005:14+7699999999999:14+20210722:1321+6838+++++1'



## Segments Layout

**Segment** **UNH**
 No.: 3      Level: 0  
 Status R      Max. occ.: 1

**Description      Message header**

Description	Manor	Example	Remarks
0062 Message reference number	R an..14	+1	Senders unique message reference.
S009 Message identifier	R		
0065 Message type	R an..6	+ORDCHG	<b>ORDCH</b> Purchase order change request message <b>G</b>
0052 Message version number	R an..3	:D	<b>D</b> Draft version/UN/EDIFACT Directory
0054 Message release number	R an..3	:01B	<b>01B</b> Release 2001 - B
0051 Controlling agency, coded	R an..3	:UN	<b>UN</b> UN/CEFACT
0057 Association assigned code	R an..6	:EAN007'	<b>EAN007</b> GS1 version control number (GS1 Permanent Code)

This segment is used to head, identify and specify a message.  
 DE's 0065, 0052, 0054, and 0051: Indicate that the message is a UNSM Transport Status message based on the D. 96A directory under the control of the United Nations. DE 0057: Indicates that the message is the EANCOM version 002 of the UNSM Transport Status.

**Example:**  
 UNH+1+ORDCHG:D:01B:UN:EAN007'

## Segments Layout

**Segment** **BGM**
 No.: 4      Level: 0  
 Status R      Max. occ.: 1

### Description      Beginning of message

Description	Manor	Example	Remarks
C002 Document/message name	R		
1001 Document name code	R an..3	+230	<b>230</b> Purchase order change request
C106 Document/message identification	R		
1004 Document identifier	R an..35	+P008111334	Order change number assigned by document sender.
1225 Message function code	R an..3	+4	The message function, coded is a critical data element in this segment. It applies to all data indicated in the message. The following definitions apply for the restricted codes: <b>1</b> Cancellation Message cancelling a previous transmission for a given transaction. <b>4</b> Change
4343 Response type code	O an..3	+NA'	<b>NA</b> No acknowledgement needed This DE is used if the buyer wishes to explicitly indicate whether an acknowledgement is required or not.

This segment is used to indicate the type and function of a message and to transmit the identifying number.

**Example:**

BGM+230+P008111334+4+NA'

## Segments Layout

Segment

**DTM**

No.: 5  
Status R

Level: 1  
Max. occ.: 35

Description Date/time/period

Description	Manor	Example	Remarks
C507 Date/time/period	R		
2005 Date or time or period function code qualifier	R an..3	+137	<b>137</b> Document/message date/time
2380 Date or time or period value	R an..35	:202107220000	Document/message date/time
2379 Date or time or period format code	R an..3	:203'	<b>203</b> CCYYMMDDHHMM

This segment is used to specify the date of the transport status message.

DE 2005: Identification of the 'Document/message date/time' (code value 137) is mandatory in the transport status message.

**Example:**

DTM+137:202107220000:203'

## Segments Layout

**Segment** **DTM**
 No.: 6      Level: 1  
 Status R      Max. occ.: 35

**Description      Date/time/period**

Description	Manor	Example	Remarks
C507 Date/time/period	R		
2005 Date or time or period function code qualifier	R an..3	+11	<b>11</b> Despatch date and/or time
2380 Date or time or period value	R an..35	:202107120000	Despatch date and/or time
2379 Date or time or period format code	R an..3	:203'	<b>203</b> CCYYMMDDHHMM

This segment is used to specify the date of the transport status message.

DE 2005: Identification of the 'Document/message date/time' (code value 137) is mandatory in the transport status message.

**Example:**

DTM+11:202107120000:203'

## Segments Layout

**Segment** **DTM**
 No.: 7      Level: 1  
 Status O      Max. occ.: 35

**Description      Date/time/period**

Description	Manor	Example	Remarks
C507 Date/time/period	R		
2005 Date or time or period function code qualifier	R an..3	+2	<b>2</b> Delivery date/time, requested
2380 Date or time or period value	R an..35	:202107120000	Delivery date/time, requested
2379 Date or time or period format code	R an..3	:203'	<b>203</b> CCYYMMDDHHMM

This segment is used to specify the date of the transport status message.

DE 2005: Identification of the 'Document/message date/time' (code value 137) is mandatory in the transport status message.

**Example:**

DTM+2:202107120000:203'

## Segments Layout

Segment

**FTX**

No.: 8  
Status O

Level: 1  
Max. occ.: 99

Description Free text

Description	Manor	Example	Remarks
4451 Text subject code qualifier	R an..3	+PUR	<b>PUR</b> Purchasing information Note contains purchasing information.
4453 Free text function code	N an..3	+	
C107 Text reference	N		
4441 Free text value code	N an..17	+	
C108 Text literal	R		
4440 Free text value	R an..51	+FreeText'	Free text value Format an..70

This segment is used to provide free form or coded text information for the entire purchase order change message.

Use of this segment in free form is not recommended since it may inhibit automatic processing of the Order Change

Request. Coded references to standard texts is an available functionality which enables automatic processing and

reduces transmission and processing overheads. Standard texts should be mutually defined among trading partners

and can be used to cover legal and other requirements.

**Example:**

FTX+PUR+++FreeText'

## Segments Layout

**Group** **SG1** Status R Max. occ.: 9999 RFF+ON Order number (buyer)

**Segment** **RFF** No.: 9 Level: 1  
Status R Max. occ.: 1

### Description Reference

Description	Manor	Example	Remarks
C506 Reference	R		
1153 Reference code qualifier	R an..3	+ON	<b>ON</b> Order number (buyer)
1154 Reference identifier	R an..70	:P008111334'	Order number (buyer)

This segment is used to provide any references applicable to the complete purchase order change message.

This segment should be provided at least once per purchase order change request message in order to identify the purchase order message being changed. Additionally, further reference can be provided as corrections or clarifications to a previously sent Purchase Order or Purchase Order Response. References should normally be given at this point if they apply to all or a majority of the line items.

**Example:**

RFF+ON:P008111334'

## Segments Layout

**Group** **SG1** Status O Max. occ.: 9999 RFF+PD Promotion deal number

**Segment** **RFF** No.: 10 Level: 1  
Status R Max. occ.: 1

### Description Reference

Description	Manor	Example	Remarks
C506 Reference	R		
1153 Reference code qualifier	R an..3	+PD	<b>PD</b> Promotion deal number Number assigned by a vendor to a special promotion activity.
1154 Reference identifier	R an..70	:564865468'	Promotion deal number

This segment is used to provide any references applicable to the complete purchase order change message.

This segment should be provided at least once per purchase order change request message in order to identify the purchase order message being changed. Additionally, further reference can be provided as corrections or clarifications to a previously sent Purchase Order or Purchase Order Response. References should normally be given at this point if they apply to all or a majority of the line items.

**Example:**

RFF+PD:564865468'



## Segments Layout

**Group** **SG1** Status O Max. occ.: 9999 RFF+POR Purchase order response number

**Segment** **RFF** No.: 11 Level: 1  
Status R Max. occ.: 1

### Description Reference

Description	Manor	Example	Remarks
C506 Reference	R		
1153 Reference code qualifier	R an..3	+POR	<b>POR</b> Purchase order response number Reference number assigned by the seller to an order response.
1154 Reference identifier	R an..70	:47831'	Purchase order response number

This segment is used to provide any references applicable to the complete purchase order change message.

This segment should be provided at least once per purchase order change request message in order to identify the purchase order message being changed. Additionally, further reference can be provided as corrections or clarifications to a previously sent Purchase Order or Purchase Order Response. References should normally be given at this point if they apply to all or a majority of the line items.

**Example:**

RFF+POR:47831'

## Segments Layout

**Group** **SG3** Status R Max. occ.: 99 NAD+BY Buyer

**Segment** **NAD** No.: 12 Level: 1  
Status R Max. occ.: 1

### Description Name and address

Description	Manor	Example	Remarks
3035 Party function code qualifier	R an..3	+BY	<b>BY</b> Buyer
C082 Party identification details	R		
3039 Party identifier	R an..35	+7612096834037	GLN of the Party
1131 Code list identification code	N an..17	:	
3055 Code list responsible agency code	R an..3	:9'	<b>9</b> GS1

This segment is used to identify the trading partners involved in the Purchase Order Change Request. Identification of the buyer and supplier of goods and services is mandatory using DE's 3035 and C082. Additional parties can be identified as a clarification or correction to a previously sent Purchase Order or Purchase Order Change Request.

The delivery address given in NAD at header level is the main delivery address for all line items. It can however be overridden at line level by the use of Segment Group 37 LOC/QTY/DTM to indicate split deliveries.

**Example:**

NAD+BY+7612096834037::9'

## Segments Layout

**Group** **SG3** Status R Max. occ.: 99 NAD+SU Supplier

**Segment** **NAD** No.: 13 Level: 1  
Status R Max. occ.: 1

### Description Name and address

Description	Manor	Example	Remarks
3035 Party function code qualifier	R an..3	+SU	<b>SU</b> Supplier
C082 Party identification details	R		
3039 Party identifier	R an..35	+4306188000006	GLN of the Party
1131 Code list identification code	N an..17	:	
3055 Code list responsible agency code	R an..3	:9	<b>9</b> GS1
C058 Name and address	N		
3124 Name and address description	N an..35	+	
C080 Party name	D		
3036 Party name	R an..35	+ZENTRALE HANDELSGESELL SCHAFT	Name1 of the party
C059 Street	D		
3042 Street and number or post office box identifier	R an..35	+ZHG MBH HANNS-MARTIN- SCHLEYER- STRAS	Street1 of the party
3164 City name	D an..35	+OFFENBURG	City of the party
C819 Country sub-entity details	N		
3229 Country sub-entity name code	N an..9	+	
3251 Postal identification code	D an..17	+77614	PostCode of the party
3207 Country name code	D an..3	+DE'	Country of the party

This segment is used to identify the trading partners involved in the Purchase Order Change Request. Identification of the buyer and supplier of goods and services is mandatory using DE's 3035 and C082. Additional parties can be identified as a clarification or correction to a previously sent Purchase Order or Purchase Order Change Request.

The delivery address given in NAD at header level is the main delivery address for all line items. It can however be overridden at line level by the use of Segment Group 37 LOC/QTY/DTM to indicate split deliveries.

**Example:**

NAD+SU+4306188000006::9++ZENTRALE HANDELSGESELLSCHAFT+ZHG MBH HANNS-MARTIN-SCHLEYER-STRAS+OFFENBURG++77614+DE'

**Segments Layout**

**Group** **SG3** Status R Max. occ.: 99 NAD+DP Delivery party

**Segment** **NAD** No.: 14 Level: 1  
Status R Max. occ.: 1

**Description Name and address**

Description	Manor	Example	Remarks
3035 Party function code qualifier	R an..3	+DP	<b>DP</b> Delivery party
C082 Party identification details	R		
3039 Party identifier	R an..35	+7612096834334	GLN of the Party
1131 Code list identification code	N an..17	:	
3055 Code list responsible agency code	R an..3	:9	<b>9</b> GS1
C058 Name and address	N		
3124 Name and address description	N an..35	+	
C080 Party name	D		
3036 Party name	R an..35	+Manor AG, Basel?:Manor Zentrale Base	Name1 of the party
C059 Street	D		
3042 Street and number or post office box identifier	R an..35	+Rebgasse 34	Street1 of the party
3164 City name	D an..35	+Basel	City of the party
C819 Country sub-entity details	N		
3229 Country sub-entity name code	N an..9	+	
3251 Postal identification code	D an..17	+4005	PostCode of the party
3207 Country name code	D an..3	+CH'	Country of the party

This segment is used to identify the trading partners involved in the Purchase Order Change Request. Identification of the buyer and supplier of goods and services is mandatory using DE's 3035 and C082. Additional parties can be identified as a clarification or correction to a previously sent Purchase Order or Purchase Order Change Request. The delivery address given in NAD at header level is the main delivery address for all line items. It can however be overridden at line level by the use of Segment Group 37 LOC/QTY/DTM to indicate split deliveries.

**Example:**

NAD+DP+7612096834334::9++Manor AG, Basel?:Manor Zentrale Base+Rebgasse 34+Basel++4005+CH'

## Segments Layout

**Group** **SG3** Status D Max. occ.: 99 NAD+UC Ultimate consignee

**Segment** **NAD** No.: 15 Level: 1  
Status R Max. occ.: 1

### Description Name and address

Description	Manor	Example	Remarks
3035 Party function code qualifier	R an..3	+UC	<b>UC</b> Ultimate consignee Party who has been designated on the invoice or packing list as the final recipient of the stated merchandise.
C082 Party identification details	R		
3039 Party identifier	R an..35	+7612096834600	GLN of the Party
1131 Code list identification code	N an..17	:	
3055 Code list responsible agency code	R an..3	:9	<b>9</b> GS1
C058 Name and address	N		
3124 Name and address description	N an..35	+	
C080 Party name	D		
3036 Party name	R an..35	+Manor Warenhaus Affoltern	Name1 of the party
C059 Street	D		
3042 Street and number or post office box identifier	R an..35	+Obfelderstrasse 19	Street1 of the party
3164 City name	D an..35	+Affoltern am Albis	City of the party
C819 Country sub-entity details	N		
3229 Country sub-entity name code	N an..9	+	
3251 Postal identification code	D an..17	+8910	PostCode of the party
3207 Country name code	D an..3	+CH'	Country of the party

### Segment Notes

Required for a transit shipment (YA1) or cross-docking1 (50E) order

This segment is used to identify the trading partners involved in the Purchase Order Change Request.

Identification of

the buyer and supplier of goods and services is mandatory using DE's 3035 and C082. Additional parties can be

identified as a clarification or correction to a previously sent Purchase Order or Purchase Order Change Request.

The delivery address given in NAD at header level is the main delivery address for all line items. It can however be

overridden at line level by the use of Segment Group 37 LOC/QTY/DTM to indicate split deliveries.

### Example:

NAD+UC+7612096834600::9++Manor Warenhaus Affoltern+Obfelderstrasse 19+Affoltern am Albis++8910+CH'

## Segments Layout

**Group** **SG3** Status O Max. occ.: 99 NAD+IV Invoicee

**Segment** **NAD** No.: 16 Level: 1  
Status R Max. occ.: 1

### Description Name and address

Description	Manor	Example	Remarks
3035 Party function code qualifier	R an..3	+IV	<b>IV</b> Invoicee
C082 Party identification details	R		
3039 Party identifier	R an..35	+7612096834037	GLN of the Party
1131 Code list identification code	N an..17	:	
3055 Code list responsible agency code	R an..3	:9'	<b>9</b> GS1

This segment is used to identify the trading partners involved in the Purchase Order Change Request. Identification of the buyer and supplier of goods and services is mandatory using DE's 3035 and C082. Additional parties can be identified as a clarification or correction to a previously sent Purchase Order or Purchase Order Change Request.

The delivery address given in NAD at header level is the main delivery address for all line items. It can however be overridden at line level by the use of Segment Group 37 LOC/QTY/DTM to indicate split deliveries.

**Example:**

NAD+IV+7612096834037::9'

## Segments Layout

**Group** **SG3** Status R Max. occ.: 99 NAD+SR Supplier's agent/representative

**Segment** **NAD** No.: 17 Level: 1  
Status R Max. occ.: 1

### Description Name and address

Description	Manor	Example	Remarks
3035 Party function code qualifier	R an..3	+SR	<b>SR</b> Supplier's agent/representative
C082 Party identification details	R		
3039 Party identifier	R an..35	+287586	GLN of the Party
1131 Code list identification code	N an..17	:	
3055 Code list responsible agency code	R an..3	:9	<b>9</b> GS1
C058 Name and address	N		
3124 Name and address description	N an..35	+	
C080 Party name	D		
3036 Party name	R an..35	+RCM	Name1 of the party
C059 Street	D		
3042 Street and number or post office box identifier	R an..35	+Street1	Street1 of the party
3164 City name	D an..35	+City	City of the party
C819 Country sub-entity details	N		
3229 Country sub-entity name code	N an..9	+	
3251 Postal identification code	D an..17	+PostCode	PostCode of the party
3207 Country name code	D an..3	+CH'	Country of the party

This segment is used to identify the trading partners involved in the Purchase Order Change Request. Identification of the buyer and supplier of goods and services is mandatory using DE's 3035 and C082. Additional parties can be identified as a clarification or correction to a previously sent Purchase Order or Purchase Order Change Request.

The delivery address given in NAD at header level is the main delivery address for all line items. It can however be overridden at line level by the use of Segment Group 37 LOC/QTY/DTM to indicate split deliveries.

**Example:**

NAD+SR+287586::9++RCM'

## Segments Layout

**Group** **SG8** Status R Max. occ.: 5 CUX

**Segment** **CUX** No.: 18 Level: 1  
Status R Max. occ.: 1

### Description Currencies

Description	Manor	Example	Remarks
C504 Currency details	R		
6347 Currency usage code qualifier	R an..3	+2	<b>2</b> Reference currency
6345 Currency identification code	R an..3	:CHF	Currency ISO 4217 three alpha
6343 Currency type code qualifier	R an..3	:9'	<b>9</b> Order currency

This segment is used to specify currency information for the complete purchase order change message.

**Example:**

CUX+2:CHF:9'



## Segments Layout

**Group** **SG9** Status O Max. occ.: 10 PAT-PCD

**Segment** **PAT** No.: 19 Level: 1  
Status R Max. occ.: 1

### Description Payment terms basis

Description	Manor	Example	Remarks
4279 Payment terms type code qualifier	R an..3	+22	<b>22</b> Discount
C110 Payment terms	N		
4277 Payment terms description identifier	N an..17	+	
C112 Terms/time information	R		
2475 Time reference code	R an..3	+5	<b>5</b> Date of invoice
2009 Terms time relation code	R an..3	:3	<b>3</b> After reference
2151 Period type code	R an..3	:D	<b>D</b> Day
2152 Period count quantity	R n..3	:10'	Number of periods for payment.

This segment is used to request special payment terms (by the issuer of the order change) applicable only for the currently referenced order. This example indicates discount payment terms with payment due 10 days after the reference date which in this case is the invoice date.

**Example:**

PAT+22++5:3:D:10'

## Segments Layout

**Group** **SG9** Status O Max. occ.: 10 PAT-PCD

**Segment** **PCD** No.: 20 Level: 2  
Status O Max. occ.: 1

### Description Percentage details

Description	Manor	Example	Remarks
C501 Percentage details	R		
5245 Percentage type code qualifier	R an..3	+12	<b>12</b> Discount
5482 Percentage	R n..10	:5.5'	Percentage value

This segment is used to specify percentages related to the current payment terms.

**Example:**

PCD+12:5.5'

## Segments Layout

**Group** **SG11** Status O Max. occ.: 10 TDT

**Segment** **TDT** No.: 21 Level: 1  
Status R Max. occ.: 1

### Description Details of transport

Description	Manor	Example	Remarks
8051 Transport stage code qualifier	R an..3	+20	<b>20</b> Main-carriage transport
8028 Means of transport journey identifier	N an..17	+	
C220 Mode of transport	R		
8067 Transport mode name code	R an..3	+30'	<b>10</b> Maritime transport <b>20</b> Rail transport <b>30</b> Road transport <b>40</b> Air transport <b>50</b> Mail (Actual mode of transport unknown) - This code is provided for practical reasons, despite the fact that mail is not a genuine mode of transport. In many countries, the value of merchandise exported by mail is considerable, but the exporter or importer concerned would be unable to state by which mode postal items had passed the national border. <b>60</b> Multimodal transport This code is used when goods are carried to their destination by at least two different modes on the basis of one transport contract. (Local pick-up and delivery of goods out in the performance of a unimodal transport contract shall not be considered as multimodal transport.) <b>100</b> Courier service (GS1 Temporary Code) A courier service used to collect and deliver a consignment to its destination.

This segment is used in the Purchase Order Change Request to provide a change or correction to the transportation information provided in a previous Purchase Order or Purchase Order Response. The TDT segment can be used to specify transport instructions for the whole Purchase Order Change Request, such as requesting an express transport service.

**Example:**

TDT+20++30'

## Segments Layout

**Group** **SG13** Status O Max. occ.: 5 TOD-LOC

**Segment** **TOD** No.: 22 Level: 1  
Status R Max. occ.: 1

### Description Terms of delivery or transport

Description	Manor	Example	Remarks
4055 Delivery or transport terms function code	R an..3	+6	<b>6</b> Delivery condition
4215 Transport charges payment method code	N an..3	+	
C100 Terms of delivery or transport	R		
4053 Delivery or transport terms description code	R an..3	+FCA'	Incoterms code

This segment is used in the Purchase Order Change Request to provide a change or correction to the terms of delivery information provided in a previous Purchase Order or Purchase Order Response.

**Example:**

TOD+6++FCA'

## Segments Layout

**Group** **SG13** Status O Max. occ.: 5 TOD-LOC

**Segment** **LOC** No.: 23 Level: 2  
Status O Max. occ.: 2

### Description Place/location identification

Description	Manor	Example	Remarks
3227 Location function code qualifier	R an..3	+1	<b>1</b> Place of terms of delivery
C517 Location identification	R		
3225 Location name code	R an..25	+INCCU	
1131 Code list identification code	N an..17	:	
3055 Code list responsible agency code	R an..3	:6	<b>6</b> UN/ECE (United Nations - Economic Commission for Europe)
3224 Location name	O an..25	:Kolkata (ex Calcutta)'	Special informations for the forwarder or description of the delivery places without an IATA-Code.

This segment is used to identify any locations related to the terms of delivery.

**Example:**

LOC+1+INCCU::6:Kolkata (ex Calcutta)'

## Segments Layout

**Group** **SG27** Status D Max. occ.: 200000 LIN-PIA-IMD-QTY-SG32-SG33

**Segment** **LIN** No.: 24 Level: 1  
Status R Max. occ.: 1

### Description Line item

Description	Manor	Example	Remarks
1082 Line item identifier	R an..6	+1	Application generated number of the count of the order change request lines.
1229 Action request/notification description code	R an..3	+1	<b>1</b> Added <b>2</b> Deleted The information is to be or has been deleted. <b>3</b> Changed <b>11</b> Not amended
C212 Item number identification	D		
7140 Item identifier	R an..35	+4251461408058	EAN-8, UPC-A, EAN-13, or DUN-14 - this is the number of the article being ordered.
7143 Item type identification code	R an..3	:EN'	<b>UP</b> UPC (Universal product code) <b>EN</b> International Article Numbering Association (EAN)

This segment is used to identify the item being ordered.

**Example:**

LIN+1+1+4251461408058:EN'

## Segments Layout

**Group** **SG27** Status D Max. occ.: 200000 LIN-PIA-IMD-QTY-SG32-SG33

**Segment** **PIA** No.: 25 Level: 2  
Status O Max. occ.: 25

### Description Additional product id

Description	Manor	Example	Remarks
4347 Product identifier code qualifier	R an..3	+1	<b>1</b> Additional identification
C212 Item number identification	R		
7140 Item identifier	R an..35	+P2-15100201	Buyer's item number
7143 Item type identification code	R an..3	:IN	<b>IN</b> Buyer's item number
1131 Code list identification code	N an..17	:	
3055 Code list responsible agency code	R an..3	:92'	<b>92</b> Assigned by buyer or buyer's agent

This segment is used to specify additional or substitutional item identification codes such as a buyers, or sellers item number.

**Example:**

PIA+1+P2-15100201:IN::92'

## Segments Layout

**Group** **SG27** Status D Max. occ.: 200000 LIN-PIA-IMD-QTY-SG32-SG33

**Segment** **PIA** No.: 26 Level: 2  
Status O Max. occ.: 25

### Description Additional product id

Description	Manor	Example	Remarks
4347 Product identifier code qualifier	R an..3	+1	<b>1</b> Additional identification
C212 Item number identification	R		
7140 Item identifier	R an..35	+119	Commodity grouping number
7143 Item type identification code	R an..3	:CG	<b>CG</b> Commodity grouping
1131 Code list identification code	N an..17	:	
3055 Code list responsible agency code	R an..3	:92'	<b>92</b> Assigned by buyer or buyer's agent

This segment is used to specify additional or substitutional item identification codes such as a buyers, or sellers item number.

**Example:**

PIA+1+119:CG::92'



## Segments Layout

**Group** **SG27** Status D Max. occ.: 200000 LIN-PIA-IMD-QTY-SG32-SG33

**Segment** **PIA** No.: 27 Level: 2  
Status O Max. occ.: 25

### Description Additional product id

Description	Manor	Example	Remarks
4347 Product identifier code qualifier	R an..3	+1	<b>1</b> Additional identification
C212 Item number identification	R		
7140 Item identifier	R an..35	+W1-MW-0751	Supplier's article number
7143 Item type identification code	R an..3	:SA	<b>SA</b> Supplier's article number
1131 Code list identification code	N an..17	:	
3055 Code list responsible agency code	R an..3	:91'	<b>91</b> Assigned by supplier or supplier's agent

This segment is used to specify additional or substitutional item identification codes such as a buyers, or sellers item number.

**Example:**

PIA+1+W1-MW-0751:SA::91'

## Segments Layout

**Group** **SG27** Status D Max. occ.: 200000 LIN-PIA-IMD-QTY-SG32-SG33

**Segment** **IMD** No.: 28 Level: 2  
Status O Max. occ.: 99

**Description**    **Item description**

Description	Manor	Example	Remarks
7077 Description format code	R an..3	+F	<b>F</b> Free-form
C272 Item characteristic	N		
7081 Item characteristic code	N an..3	+	
C273 Item description	R		
7009 Item description code	N an..17	+	
1131 Code list identification code	N an..17	:	
3055 Code list responsible agency code	N an..3	:	
7008 Item description	R an..25	:Short-sleeved round	Supplier's product description and Supplier's reference number (extracted from the Manor system) "1" Format an..35
7008 Item description	O an..25	:T-shirt'	Supplier's product description and Supplier's reference number (extracted from the Manor system) "2" Format an..35

This segment is used to describe the current line item.  
 It is recommended that this segment only be used for coded descriptions. Data element 7008 in clear text should only be used when no product code is available or when free-form descriptions are required by trading partners.  
 If both free-form and text descriptions are required then the IMD segment must be repeated.

**Example:**  
 IMD+F++:::Short-sleeved round T-shirt'

## Segments Layout

**Group** **SG27** Status D Max. occ.: 200000 LIN-PIA-IMD-QTY-SG32-SG33

**Segment** **QTY** No.: 29 Level: 2  
Status R Max. occ.: 99

### Description Quantity

Description	Manor	Example	Remarks
C186 Quantity details	M		
6063 Quantity type code qualifier	R an..3	+21	<b>21</b> Ordered quantity
6060 Quantity	R an..35	:60	Ordered quantity
6411 Measurement unit code	D an..3	:PCE'	<b>KGM</b> kilogram <b>PCE</b> Piece <b>LTR</b> litre (1 dm3) <b>MTR</b> metre <b>DPE</b> Display This DE is only used if the product being identified is of variable quantity. If no measurement unit was sent, the measurement unit is regarded as piece.

This segment is used to specify the total quantity for the line identified in the LIN segment.

**Example:**

QTY+21:60:PCE' 100 pieces are ordered

## Segments Layout

<b>Group</b>	<b>SG27</b>	Status D	Max. occ.: 200000 LIN-PIA-IMD-QTY-SG32-SG33
<b>Group</b>	<b>SG32</b>	Status R	Max. occ.: 25      PRI+AAA Calculation net
<b>Segment</b>	<b>PRI</b>	No.: 30 Status R	Level: 2 Max. occ.: 1

### Description      Price details

Description	Manor	Example	Remarks
C509 Price information	R		
5125 Price code qualifier	R an..3	+AAA	<b>AAA</b> Calculation net
5118 Price amount	R n..15	:3.1	Calculation net price amount
5375 Price type code	N an..3	:	
5387 Price specification code	O an..3	:RTP'	<b>RTP</b> Retail price <b>PRP</b> Promotional price The value that is placed on an item that is being developed. The idea is to sell this product for less than one normally would, and make up for it by selling a larger quantity.

This segment is used to detail price information for the current line item.

The calculation price detailed in the Order Response will always be the Net Unit Price, i.e., Gross Price + Charges - Allowances.

**Example:**

PRI+AAA:3.1'  
PRI+AAA:3.1::RTP'

## Segments Layout

<b>Group</b>	<b>SG27</b>	Status D	Max. occ.: 200000 LIN-PIA-IMD-QTY-SG32-SG33
<b>Group</b>	<b>SG32</b>	Status O	Max. occ.: 25 PRI+AAE Information price, excluding allowances or charges, including taxes
<b>Segment</b>	<b>PRI</b>	No.: 31 Status R	Level: 2 Max. occ.: 1

### Description Price details

Description	Manor	Example	Remarks
C509 Price information	R		
5125 Price code qualifier	R an..3	+AAE	<b>AAE</b> Information price, excluding allowances or charges, including taxes
5118 Price amount	R n..15	:19.95	Information price amount
5375 Price type code	N an..3	:	
5387 Price specification code	O an..3	:RTP'	<b>RTP</b> Retail price <b>PRP</b> Promotional price The value that is placed on an item that is being developed. The idea is to sell this product for less than one normally would, and make up for it by selling a larger quantity.

This segment is used to detail price information for the current line item.

The calculation price detailed in the Order Response will always be the Net Unit Price, i.e., Gross Price + Charges - Allowances.

**Example:**

PRI+AAE:19.95'  
PRI+AAE:19.95::RTP'

## Segments Layout

<b>Group</b>	<b>SG27</b>	Status D	Max. occ.: 200000 LIN-PIA-IMD-QTY-SG32-SG33
<b>Group</b>	<b>SG33</b>	Status O	Max. occ.: 9999 RFF+CR Reference to the Manor Family code
<b>Segment</b>	<b>RFF</b>	No.: 32 Status R	Level: 2 Max. occ.: 1

### Description Reference

Description	Manor	Example	Remarks
C506 Reference	R		
1153 Reference code qualifier	R an..3	+CR	<b>CR</b> Customer reference number Reference number assigned by the customer to a transaction.
1154 Reference identifier	R an..70	:FAMILY CODE'	Reference to the Manor Family code

This segment is used to identify references associated with the current line item. This information may override what is specified in the heading section when the same qualifier is used.

**Example:**  
RFF+CR:FAMILY CODE'

## Segments Layout

**Group** **SG27** Status D Max. occ.: 200000 LIN-PIA-IMD-QTY-SG32-SG33

**Group** **SG33** Status O Max. occ.: 9999 RFF+PD Reference to the supplier's promotion deal number.

**Segment** **RFF** No.: 33 Level: 2  
Status R Max. occ.: 1

### Description Reference

Description	Manor	Example	Remarks
C506 Reference	R		
1153 Reference code qualifier	R an..3	+PD	<b>PD</b> Promotion deal number Number assigned by a vendor to a special promotion activity.
1154 Reference identifier	R an..70	:120302-001'	Reference to the supplier's promotion deal number.

This segment is used to identify references associated with the current line item. This information may override what is specified in the heading section when the same qualifier is used.

**Example:**

RFF+PD:120302-001'

## Segments Layout

<b>Group</b>	<b>SG27</b>	Status D	Max. occ.: 200000 LIN-PIA-IMD-QTY-SG32-SG33
<b>Group</b>	<b>SG33</b>	Status O	Max. occ.: 9999 RFF+ON Reference to the previous position's order number.
<b>Segment</b>	<b>RFF</b>	No.: 34 Status R	Level: 2 Max. occ.: 1

### Description Reference

Description	Manor	Example	Remarks
C506 Reference	R		
1153 Reference code qualifier	R an..3	+ON	<b>CR</b> Customer reference number Reference number assigned by the customer to a transaction. <b>PD</b> Promotion deal number Number assigned by a vendor to a special promotion activity. <b>ON</b> Order number (buyer) [1022] Reference number assigned by the buyer to an order.
1154 Reference identifier	O an..70	:	Reference to the previous position's order number.
1156 Document line identifier	R an..6	:000009'	Line number from original order.

This segment is used to identify references associated with the current line item. This information may override what is specified in the heading section when the same qualifier is used.

**Example:**

RFF+ON::000009'



## Segments Layout

Segment

**UNS**

No.: 35  
Status R

Level: 0  
Max. occ.: 1

Description      Section control

Description	Manor	Example	Remarks
0081 Section identification	M a1	+S'	<b>S</b> Detail/summary section separation

This segment is used to separate the detail and summary sections of the message.

**Example:**

UNS+S'

## Segments Layout

**Segment** **CNT**
 No.: 36      Level: 1  
 Status R      Max. occ.: 1

**Description      Control total**

Description	Manor	Example	Remarks
C270 Control	R		
6069 Control total type code qualifier	R an..3	+2	<b>2</b> Number of line items in message
6066 Control total value	R n..18	:5'	Control total value

This segment is used to provide message control totals.

**Example:**  
CNT+2:4'



## Segments Layout

**Segment** **UNZ**
 No.: 38      Level: 0  
 Status R      Max. occ.: 1

### Description      Interchange trailer

Description	Manor	Example	Remarks
0036 Interchange control count	R n..6	+1	The total number of messages in the interchange is detailed here.
0020 Interchange control reference	R an..14	+6838'	The interchange reference detailed here should equal the one specified in the UNB segment.

This segment is used to provide the trailer of an interchange.

**Example:**

UNZ+1+6838'

## Example

UNA:+.?\*'
UNB+UNOC:4+7612096000005:14+7699999999999:14+20210722:1321+6838+++++1'
UNH+1+ORDCHG:D:01B:UN:EAN007'
BGM+230+P008111334+4+NA'
DTM+137:202107220000:203'
DTM+11:202107120000:203'
DTM+2:202107120000:203'
FTX+PUR+++FreeText'
RFF+ON:P008111334'
RFF+PD:564865468'
RFF+POR:47831'
NAD+BY+7612096834037::9'
NAD+SU+4306188000006::9++ZENTRALE HANDELSGESELLSCHAFT+ZHG MBH HANNS-MARTIN-SCHLEYER-STRAS+OFFENBURG++77614+DE'
NAD+DP+7612096834334::9++Manor AG, Basel?:Manor Zentrale Base+Rebgasse 34+Basel++4005+CH'
CTA+OC+:Max Muster'
NAD+UC+7612096834600::9++Manor Warenhaus Affoltern+Obfelderstrasse 19+Affoltern am Albis++8910+CH'
NAD+IV+7612096834037::9'
NAD+SR+287586::9++RCM+Street1+City++PostCode+CH'
CUX+2:CHF:9'
PAT+22++5:3:D:10'
PCD+12:5.5'
TDT+20++30'
TOD+6++FCA'
LOC+1+INCCU::6:Kolkata (ex Calcutta)'
LIN+1+1+4251461408058:EN'
PIA+1+P2-15100201:IN::92'
PIA+1+119:CG::92'
PIA+1+W1-MW-0751:SA::91'
IMD+F+:::Short-sleeved round :T-shirt'
QTY+21:60:PCE'
PRI+AAA:3.1::RTP'
PRI+AAE:19.95::RTP'
RFF+CR:FAMILY CODE'
RFF+PD:120302-001'
RFF+ON::000009'
UNS+S'
CNT+2:5'
UNT+36+1'
UNZ+1+6838'