



# INVPRT D.01B out (Inventory report)

based on

## **INVRPT**

Inventory report message

## **EANCOM® 2002 S4; D.01B**

- **Message Description**
- **Branching Diagram**
- **Segment Details**
- **Example message**
- **List of changes**

Version 1.1  
Variant final  
Version date 08.01.2025

## Documentation conventions

### **Format**

as described in column "Format" of segment details

Character type:

a :alphabetic characters  
n :numeric characters  
an :alpha-numeric characters

### **Status indicators**

as described in column "St" of segment details

(R)equired

Indicates that the entity is required and must be sent. (This status is set by EANCOM®.)

(O)ptional

Indicates that the entity is conditional and may be sent at the discretion of the user.

(D)ependent

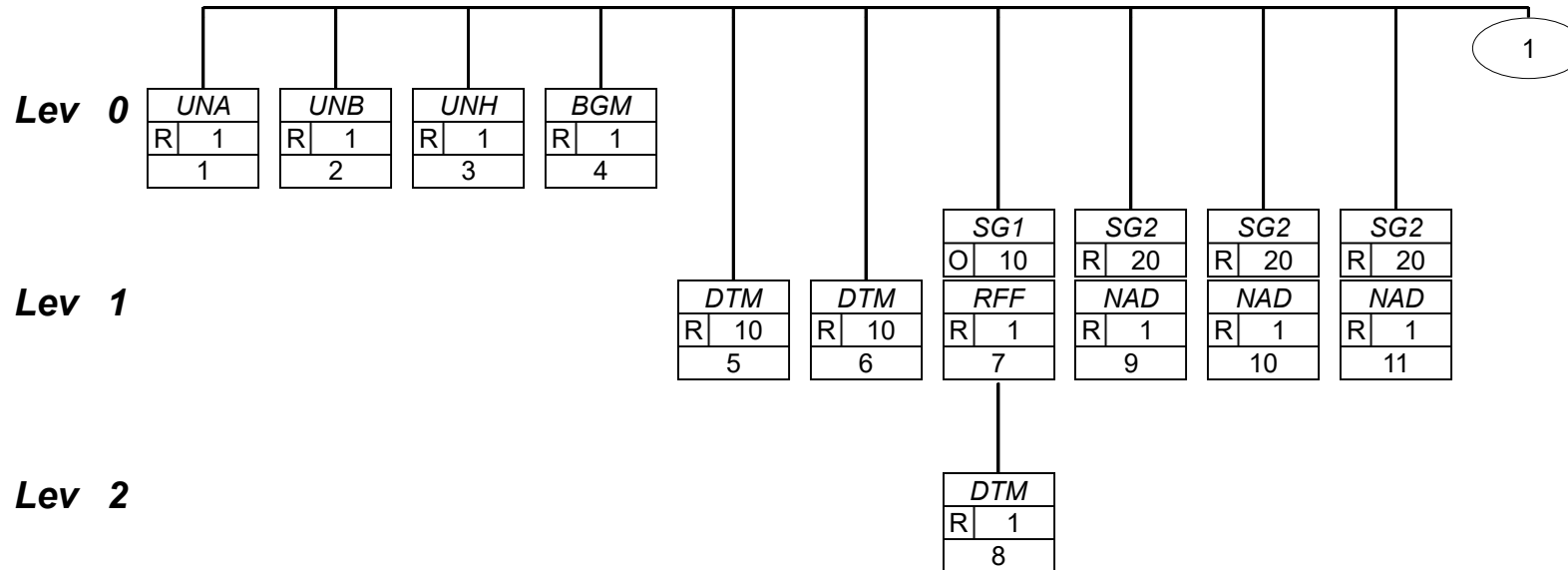
Indicates that the entity must be sent in certain conditions, as defined by the relevant explanatory note.

(N)ot used

Indicates that the entity is not used.

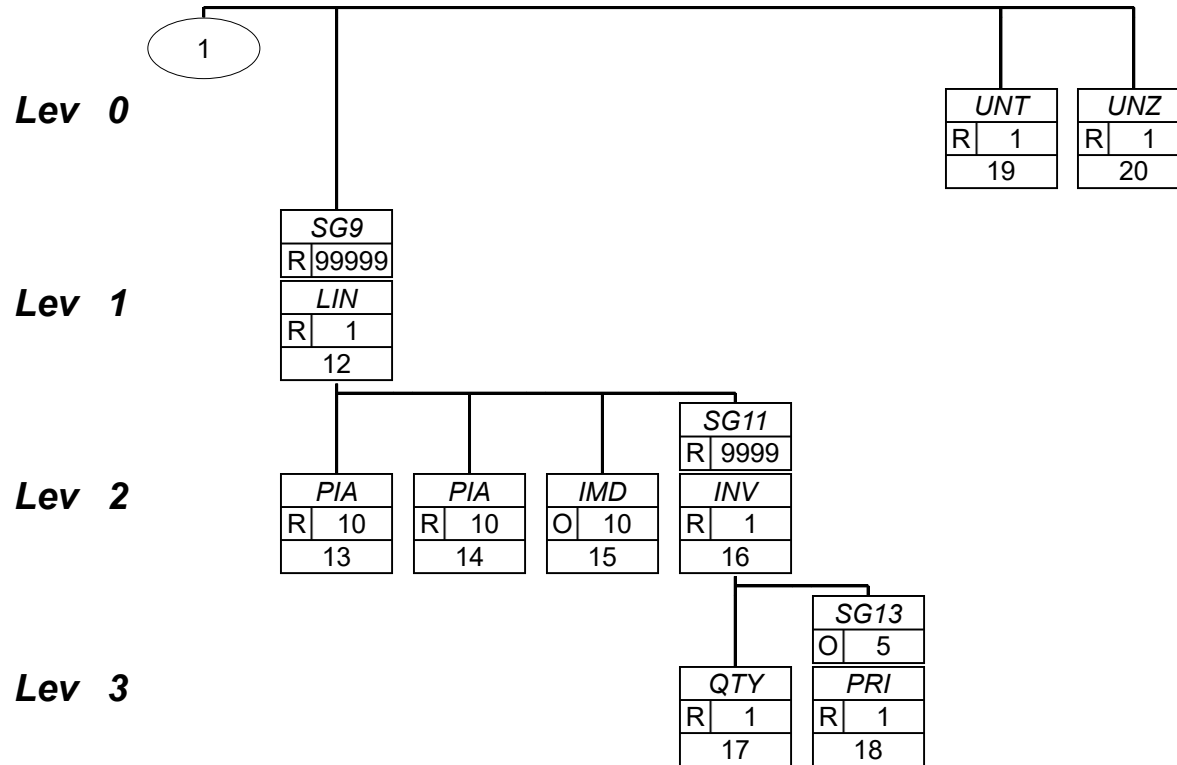
# INVPRT D.01B out (Inventory report)

## Branching diagram



# INVPRT D.01B out (Inventory report)

## Branching diagram



# INVPRT D.01B out (Inventory report)

## Segments Layout

**Segment** **UNA** No.: 1 Level: 0  
Status R Max. occ.: 1

**Description Service string advice**

Description	Manor	Example	Remarks
UNA1 Component data element separator	R an1	:	Used as a separator between component data elements contained within a composite data element (value: ":" ).
UNA2 Data element separator	R an1	+	Used to separate two simple or composite data elements (value: "+" ).
UNA3 Decimal mark	R an1	.	Used to indicate the character used for decimal notation (value: "." ).
UNA4 Release character	R an1	?	Used to restore any service character to its original specification (value: "?" ).
UNA5 Repetition separator	R an1	'	Used to indicate the character used for repetition separation (value: "' " ).
UNA6 Segment terminator	R an1	'	Used to indicate the end of segment data (value: "' '").

This segment is used to inform the receiver of the interchange about the set of service characters (and decimal mark) which are being used. It must immediately precede the UNB segment and contains the five service characters (positions UNA1, UNA2, UNA3, UNA4, UNA5 and UNA6) selected by the interchange sender. When expressing the service characters in the UNA segment, it is not necessary to include any element separators. Within EANCOM®, using the default set of Service characters, the use of the UNA segment is not required.

**Example:**

UNA:+.? '

# INVPRT D.01B out (Inventory report)

## Segments Layout

Segment **UNB** No.: 2 Level: 0  
Status R Max. occ.: 1

### Description Interchange header

Description	Manor	Example	Remarks
S001 Syntax identifier	R		
0001 Syntax identifier	R a4	+UNOC	<b>UNOC</b> UN/ECE level C As defined in ISO 8859-1 : Information processing - Part 1: Latin alphabet No. 1.
0002 Syntax version number	R an1	:4	<b>4</b> Version 4 ISO 9735:1998.
S002 Interchange sender	R		
0004 Interchange sender identification	R an..35	+7612096000005	Interchange sender identification Manor GLN 7612096000005 = productive GLN 7612096000487 = test GLN
0007 Identification code qualifier	R an..4	:14	<b>14</b> GS1
S003 Interchange recipient	R		
0010 Interchange recipient identification	R an..35	+7699999999999	Interchange recipient identification usually GLN
0007 Identification code qualifier	R an..4	:14	<b>14</b> GS1 <b>ZZ</b> Mutually defined
S004 Date and time of preparation	M		
0017 Date	R n8	+20211113	yyyyMMdd
0019 Time	R n4	:0028	hhmm
0020 Interchange control reference	R an..14	+1966	Interchange reference
S005 Recipient reference/ password details	N		
0022 Recipient reference/ password	N an..14	+	
0026 Application reference	D an..14	+INV3PLUS	<b>INV3PLUS</b> Contains the stock quantity after a physical count at the point of sale (POS).
0029 Processing priority code	N a1	+	
0031 Acknowledgement request	N n1	+	
0032 Interchange agreement identifier	N an..35	+	
0035 Test indicator	D n1	+1'	<b>1</b> Interchange is a test Indicates that the interchange is a test.

This segment is used to envelope the interchange, as well as to identify both, the party to whom the interchange is sent and the party who has sent the interchange. The principle of the UNB segment is the same as a physical envelope which covers one or more letters or documents, and which details, both the address where delivery is to take place and the address from where the envelope has come.

# INVPRT D.01B out (Inventory report)

## Segments Layout

**Example:**

UNB+UNOC:4+7612096000005:14+7699999999999:14+20211113:0028+1966++INV3PLUS++++1'

# INVPRT D.01B out (Inventory report)

## Segments Layout

Segment **UNH** No.: 3 Level: 0  
Status R Max. occ.: 1

### Description Message header

Description	Manor	Example	Remarks
0062 Message reference number	R an..14	+1	Senders unique message reference.
S009 Message identifier	R		
0065 Message type	R an..6	+INVRPT	<b>INVRPT</b> Inventory report message
0052 Message version number	R an..3	:D	<b>D</b> Draft version/UN/EDIFACT Directory
0054 Message release number	R an..3	:01B	<b>01B</b> Release 2001 - B
0051 Controlling agency, coded	R an..3	:UN	<b>UN</b> UN/CEFACT
0057 Association assigned code	R an..6	:EAN004'	<b>EAN004</b> GS1 version control number (GS1 Permanent Code)

This segment is used to head, identify and specify a message.

DE's 0065, 0052, 0054, and 0051: Indicate that the message is a UNSM Inventory Report based on the D.96A directory under the control of the United Nations.

DE 0057: Indicates that the message is the EANCOM version 004 of the UNSM Inventory Report.

#### Example:

UNH+1+INVRPT:D:01B:UN:EAN004'



# INVPRT D.01B out (Inventory report)

## Segments Layout

Segment **BGM** No.: 4 Level: 0  
Status R Max. occ.: 1

### Description Beginning of message

Description	Manor	Example	Remarks
C002 Document/message name 1001 Document name code	R R an..3	+35	<b>35</b> Inventory report A message specifying information relating to held inventories.
C106 Document/message identification 1004 Document identifier	R R an..35	+OIV01008427	Inventory movement advice number assigned by the document sender.
1225 Message function code	R an..3	+9'	<b>9</b> Original

This segment is used to indicate the type and function of a message and to transmit the identifying number. All references other than the document number DE 1004 are to be put in the RFF segment.

DE 1001: Code value 35 is used to report on the actual inventory held at the time the report is produced.

Code value 78 is used to identify movements to and from inventory during the validity period defined.

DE 1004: It is recommended that the length of the document number be restricted to a maximum of 17 characters.

DE 1225: The message function, coded is a critical data element in this segment. It applies to all data indicated in the message. The following definition apply for the restricted code:

9 = Original - An original transmission of an inventory report.

#### Example:

BGM+35+OIV01008427+9'

# INVPRT D.01B out (Inventory report)

## Segments Layout

**Segment** **DTM** No.: 5 Level: 1  
Status R Max. occ.: 10

### Description Date/time/period

Description	Manor	Example	Remarks
C507 Date/time/period	R		
2005 Date or time or period function code qualifier	R an..3	+137	<b>137</b> Document/message date/time
2380 Date or time or period value	R an..35	:20211113	Document/message date/time
2379 Date or time or period format code	R an..3	:102'	<b>102</b> CCYYMMDD

This segment is used to specify any dates relevant to the complete Inventory Report.

DE 2005: Identification of the 'Document/message date/time' (code value 137) is mandatory in the inventory report.

**Example:**

DTM+137:20211113:102'

# INVPRT D.01B out (Inventory report)

## Segments Layout

**Segment** **DTM** No.: 6 Level: 1  
Status R Max. occ.: 10

### Description Date/time/period

Description	Manor	Example	Remarks
C507 Date/time/period	R		
2005 Date or time or period function code qualifier	R an..3	+366	<b>366</b> Inventory report date
2380 Date or time or period value	R an..35	:20211113	Inventory report date
2379 Date or time or period format code	R an..3	:102'	<b>102</b> CCYYMMDD

This segment is used to specify any dates relevant to the complete Inventory Report.

DE 2005: Identification of the 'Document/message date/time' (code value 137) is mandatory in the inventory report.

**Example:**

DTM+366:20211113:102'

# INVPRT D.01B out (Inventory report)

## Segments Layout

**Group** **SG1** Status O Max. occ.: 10 RFF+CT Contract number

**Segment** **RFF** No.: 7 Level: 1  
Status R Max. occ.: 1

### Description Reference

Description	Manor	Example	Remarks
C506 Reference	R		
1153 Reference code qualifier	R an..3	+CT	<b>CT</b> Contract number
1154 Reference identifier	R an..70	:CONSID43112'	EX VMI+WWS No.

This segment is used to provide references for the entire message.  
All references should normally be given within this segment if they apply to the whole transaction.

#### Example:

RFF+CT:CONSID43112'

# INVPRT D.01B out (Inventory report)

## Segments Layout

**Group** **SG1** Status O Max. occ.: 10 RFF+CT Contract number

**Segment** **DTM** No.: 8 Level: 2  
Status R Max. occ.: 1

### Description Date/time/period

Description	Manor	Example	Remarks
C507 Date/time/period	R		
2005 Date or time or period function code qualifier	R an..3	+171	<b>171</b> Reference date/time
2380 Date or time or period value	R an..35	:20180326	Reference date/time
2379 Date or time or period format code	R an..3	:102'	<b>102</b> CCYYMMDD

This segment is used to specify dates relating to the references given in the previous RFF segment.

**Example:**

DTM+171:20180326:102'

# INVPRT D.01B out (Inventory report)

## Segments Layout

**Group** **SG2** Status R Max. occ.: 20 NAD+BY Buyer

**Segment** **NAD** No.: 9 Level: 1  
Status R Max. occ.: 1

### Description Name and address

Description	Manor	Example	Remarks
3035 Party function code qualifier	R an..3	+BY	<b>BY</b> Buyer
C082 Party identification details	R		
3039 Party identifier	R an..35	+7699999999999	GLN of the Party - Format n13
1131 Code list identification code	N an..17	:	
3055 Code list responsible agency code	R an..3	:9'	<b>9</b> GS1

This segment is used to identify the trading partners involved in the Inventory Report message. Identification of the parties exchanging the message is mandatory in EANCOM.

If coded address information can not be used it is recommended to use a structured address (C080 through 3207).

DE 3039: For identification of parties it is recommended to use EAN location numbers.

**Example:**

NAD+BY+76999999999999::9'

# INVPRT D.01B out (Inventory report)

## Segments Layout

**Group** **SG2** Status R Max. occ.: 20 NAD+SU Supplier

**Segment** **NAD** No.: 10 Level: 1  
Status R Max. occ.: 1

### Description Name and address

Description	Manor	Example	Remarks
3035 Party function code qualifier	R an..3	+SU	<b>SU</b> Supplier
C082 Party identification details	R		
3039 Party identifier	R an..35	+76555555555555	GLN of the Party - Format n13
1131 Code list identification code	N an..17	:	
3055 Code list responsible agency code	R an..3	:9'	<b>9</b> GS1

This segment is used to identify the trading partners involved in the Inventory Report message. Identification of the parties exchanging the message is mandatory in EANCOM. If coded address information can not be used it is recommended to use a structured address (C080 through 3207).  
DE 3039: For identification of parties it is recommended to use EAN location numbers.

**Example:**

NAD+SU+76555555555555::9'

# INVPRT D.01B out (Inventory report)

## Segments Layout

**Group** **SG2** Status R Max. occ.: 20 NAD+DP Delivery party

**Segment** **NAD** No.: 11 Level: 1  
Status R Max. occ.: 1

### Description Name and address

Description	Manor	Example	Remarks
3035 Party function code qualifier	R an..3	+DP	<b>DP</b> Delivery party
C082 Party identification details	R		
3039 Party identifier	R an..35	+7699999999999	GLN of the Party - Format n13
1131 Code list identification code	N an..17	:	
3055 Code list responsible agency code	R an..3	:9'	<b>9</b> GS1

This segment is used to identify the trading partners involved in the Inventory Report message.

Identification of the parties exchanging the message is mandatory in EANCOM.

If coded address information can not be used it is recommended to use a structured address (C080 through 3207).

DE 3039: For identification of parties it is recommended to use EAN location numbers.

#### Example:

NAD+DP+7699999999999::9'



# INVPRT D.01B out (Inventory report)

## Segments Layout

**Group** **SG9** Status R Max. occ.: 999999 LIN-PIA-IMD-SG11

**Segment** **LIN** No.: 12 Level: 1  
Status R Max. occ.: 1

### Description Line item

Description	Manor	Example	Remarks
1082 Line item identifier	R an..6	+1	Application generated number of the count of the item lines within the Inventory movement advice.
1229 Action request/notification description code	N an..3	+	
C212 Item number identification	D		EAN-8, UPC-A, EAN-13, or DUN-14 - this is the number of the article being reported. Consumer Unit identification
7140 Item identifier	R an..35	+4061946442930	
7143 Item type identification code	R an..3	:SRV'	<b>SRV</b> GS1 Global Trade Item Number A unique number, up to 14-digits, assigned according to the numbering structure of the GS1 system. 'GS1' stands for the 'Global Standards One'.  <b>UP</b> UPC (Universal product code)

This segment is used to identify a specific line item in the inventory report.

The detail section of the Inventory Report is formed by a repeating group of segments, always starting with the LIN segment.

In a simple Inventory Report covering one location, the LIN segment will contain the product identification with related stock quantities specified using only the QTY and LOC segments in segment group 11.

In an extended Inventory Report covering multiple locations, an available option is to provide total stock quantities for all locations using the QTY and LOC segments in segment group 11, with the quantities per location further broken down using the full range of segments available in segment group 11.

#### Example:

LIN+1++716736052809:UP'

LIN+1+++4061946442930:SRV'

# INVPRT D.01B out (Inventory report)

## Segments Layout

**Group** **SG9** Status R Max. occ.: 999999 LIN-PIA-IMD-SG11

**Segment** **PIA** No.: 13 Level: 2  
Status R Max. occ.: 10

### Description Additional product id

Description	Manor	Example	Remarks
4347 Product identifier code qualifier	R an..3	+1	<b>1</b> Additional identification
C212 Item number identification	R		
7140 Item identifier	R an..35	+P0-15200712	Manor product number
7143 Item type identification code	R an..3	:IN	<b>IN</b> Buyer's item number
1131 Code list identification code	N an..17	:	
3055 Code list responsible agency code	R an..3	:92'	<b>92</b> Assigned by buyer or buyer's agent

This segment is used to identify additional product codes for the current line item.

In this example the PIA segment is used to provide an additional identification to the article number provided in the LIN segment. The EAN article number 4061946442930 provided in the LIN segment refers to the internal Manor product number P0-15200712.

**Example:**

PIA+1+P0-15200712:IN::92'

# INVPRT D.01B out (Inventory report)

## Segments Layout

**Group** **SG9** Status R Max. occ.: 999999 LIN-PIA-IMD-SG11

**Segment** **PIA** No.: 14 Level: 2  
Status R Max. occ.: 10

### Description Additional product id

Description	Manor	Example	Remarks
4347 Product identifier code qualifier	R an..3	+1	<b>1</b> Additional identification
C212 Item number identification	R		
7140 Item identifier	R an..35	+119	Manor commodity group
7143 Item type identification code	R an..3	:CG	<b>CG</b> Commodity grouping
1131 Code list identification code	N an..17	:	
3055 Code list responsible agency code	R an..3	:92'	<b>92</b> Assigned by buyer or buyer's agent

This segment is used to identify additional product codes for the current line item.

In this example the PIA segment is used to provide an additional identification to the article number provided in the LIN segment. The EAN article number 4061946442930 provided in the LIN segment refers to the internal Manor commodity group 119.

**Example:**

PIA+1+119:CG::92'

# INVPRT D.01B out (Inventory report)

## Segments Layout

**Group** **SG9** Status R Max. occ.: 999999 LIN-PIA-IMD-SG11

**Segment** **IMD** No.: 15 Level: 2  
Status O Max. occ.: 10

### Description Item description

Description	Manor	Example	Remarks
7077 Description format code	R an..3	+F	<b>F</b> Free-form
C272 Item characteristic	R		
7081 Item characteristic code	R an..3	+BRN	<b>BRN</b> Brand name (GS1 Temporary Code)
C273 Item description	R		
7009 Item description code	N an..17	+	
1131 Code list identification code	N an..17	:	
3055 Code list responsible agency code	N an..3	:	
7008 Item description	R an..25	:Haarschmuck'	Brand name

This segment is used to describe the current line item.  
It is recommended to use this segment only for coded descriptions. Data element 7008 in clear text should only be used when no product code is available or when free-form descriptions are required by trading partners.

**Example:**

IMD+F+BRN+:::Haarschmuck'

# INVPRT D.01B out (Inventory report)

## Segments Layout

<b>Group</b>	<b>SG9</b>	Status R	Max. occ.: 999999 LIN-PIA-IMD-SG11
<b>Group</b>	<b>SG11</b>	Status R	Max. occ.: 9999 INV-QTY-SG13
<b>Segment</b>	<b>INV</b>	No.: 16 Status R	Level: 2 Max. occ.: 1

### Description Inventory management related details

Description	Manor	Example	Remarks
4501 Inventory movement direction code	N an..3	+	
7491 Inventory type code	N an..3	+	
4499 Inventory movement reason code	N an..3	+	
4503 Inventory balance method code	R an..3	+2'	<b>2</b> Formal inventory balance An inventory balance in accordance with the formal inventory procedure.

This segment is used to identify the inventory movement direction.

#### Example:

This message is specifying information related to held inventories and planned or targeted inventories. With the combination of INV and QTY segments in segmentgroup 11 the following informations can be transmitted. Attention: There must be always 1 INV / 1 QTY:

```
INV++++2'
QTY+145:12' Actual stock
INV++++2'
QTY+73:125' Outstanding quantity
INV++++2'
QTY+48:15' Received quantity
...
```

# INVPRT D.01B out (Inventory report)

## Segments Layout

<b>Group</b>	<b>SG9</b>	Status R	Max. occ.: 999999 LIN-PIA-IMD-SG11
<b>Group</b>	<b>SG11</b>	Status R	Max. occ.: 9999 INV-QTY-SG13
<b>Segment</b>	<b>QTY</b>	No.: 17 Status R	Level: 3 Max. occ.: 1

### Description    Quantity

Description	Manor	Example	Remarks
C186 Quantity details	R		
6063 Quantity type code qualifier	R an..3	+145	<b>12</b> Despatch quantity Quantity despatched by the seller. <b>21</b> Ordered quantity The quantity which has been ordered. <b>48</b> Received quantity The quantity which has been received. <b>73</b> Outstanding quantity Difference between quantity ordered and quantity received. <b>145</b> Actual stock The stock on hand, undamaged, and available for despatch, sale or use.
6060 Quantity	R an..35	:2	Quantity
6411 Measurement unit code	O an..3	:PCE'	<b>PCE</b> Piece (GS1 Temporary Code)

This segment is used to express the quantities related to the current line item.

**Example:**

QTY+145:1:PCE'

# INVPRT D.01B out (Inventory report)

## Segments Layout

<b>Group</b>	<b>SG9</b>	Status R	Max. occ.: 999999	LIN-PIA-IMD-SG11
<b>Group</b>	<b>SG11</b>	Status R	Max. occ.: 9999	INV-QTY-SG13
<b>Group</b>	<b>SG13</b>	Status O	Max. occ.: 5	PRI+AAA
<b>Segment</b>	<b>PRI</b>	No.: 18 Status R	Level: 3 Max. occ.: 1	

### Description Price details

Description	Manor	Example	Remarks
C509 Price information	R		
5125 Price code qualifier	R an..3	+AAA	<b>AAA</b> Calculation net The price stated is the net price including allowances/ charges. Allowances/charges may be stated for information only.
5118 Price amount	R n..15	:1.22	Price amount
5375 Price type code	R an..3	:CT'	<b>CT</b> Contract Code specifying the contract price.

The segment is used to specify the price information for the current line item.

**Example:**

PRI+AAA:1.22:CT'





# INVPRT D.01B out (Inventory report)

## Segments Layout

Segment

**UNZ**

No.: 20

Level: 0

Status R

Max. occ.: 1

Description Interchange trailer

Description	Manor	Example	Remarks
0036 Interchange control count	R n..6	+1	The total number of messages in the interchange is detailed here.
0020 Interchange control reference	R an..14	+1966'	The interchange reference detailed here should equal the one specified in the UNB segment.

This segment is used to provide the trailer of an interchange.

**Example:**

UNZ+1+1966'

## Example

UNA:+.? '  
UNB+UNOC:4+7612096000005:14+7699999999999:14+20211113:0028+1966++INV3PLUS++++1'  
UNH+1+INVRPT:D:01B:UN:EAN004'  
BGM+35+OIV01008427+9'  
DTM+137:20211113:102'  
DTM+366:20211113:102'  
RFF+CT:CONSID43112'  
DTM+171:20180326:102'  
NAD+BY+7699999999999::9'  
NAD+SU+7655555555555::9'  
NAD+DP+7699999999999::9'  
LIN+1++4061946442930:SRV'  
PIA+1+P0-15200712:IN::92'  
PIA+1+119:CG::92'  
IMD+F+BRN+:::Haarschmuck'  
INV++++2'  
QTY+145:2:PCE'  
PRI+AAA:1.22'  
INV++++2'  
QTY+21:1:PCE'  
LIN+2++4061946442888:SRV'  
PIA+1+P0-15200888:IN::92'  
PIA+1+188:CG::92'  
IMD+F+BRN+:::Haaraccessoires'  
INV++++2'  
QTY+145:90:PCE'  
PRI+AAA:1.22'  
INV++++2'  
QTY+73:5:PCE'  
UNT+28+1'  
UNZ+1+1966'

## List of changes

Version.	Description	Segments and elements
V1.1 (#Mail from Michael Cinicki)	Segment UNB S004 0017 write error corrected in the example	UNB (S004_0017)