



DESADV D.01B in

based on

DESADV

Despatch advice message

EANCOM® 2002 S4; D.01B

- **Message Description**
- **Branching Diagram**
- **Segment Details**
- **Example message**
- **List of changes**

Version 1.2
Variant final
Version date 04.10.2021

Documentation conventions

Format

as described in column "Format" of segment details

Character type:

a :alphabetic characters

n :numeric characters

an :alpha-numeric characters

Status indicators

as described in column "St" of segment details

(R)quired

Indicates that the entity is required and must be sent. (This status is set by EANCOM®.)

(O)ptional

Indicates that the entity is conditional and may be sent at the discretion of the user.

(D)ependent

Indicates that the entity must be sent in certain conditions, as defined by the relevant explanatory note.

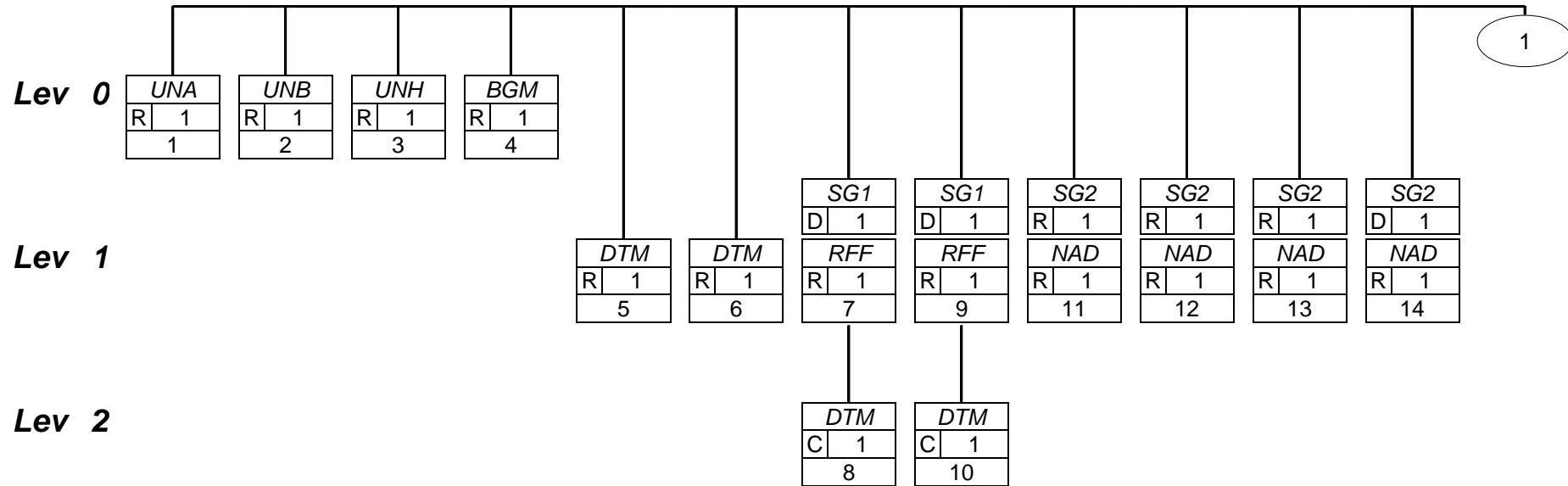
(N)ot used

Indicates that the entity is not used.

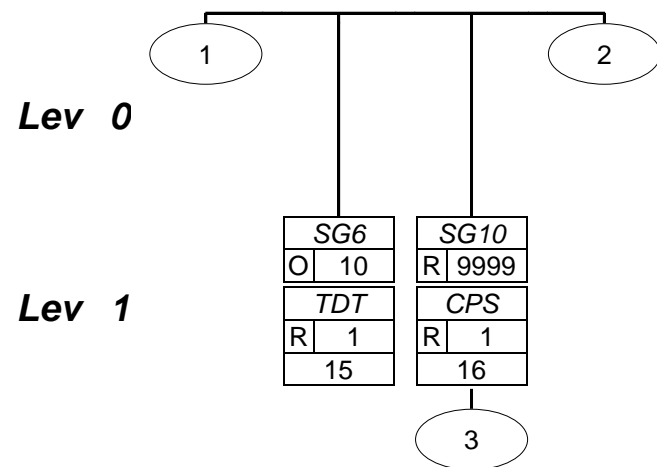
Please send us per delivery, all DESADV combined in one interchange.
This helps us to solve support cases faster.

DESADV D.01B in

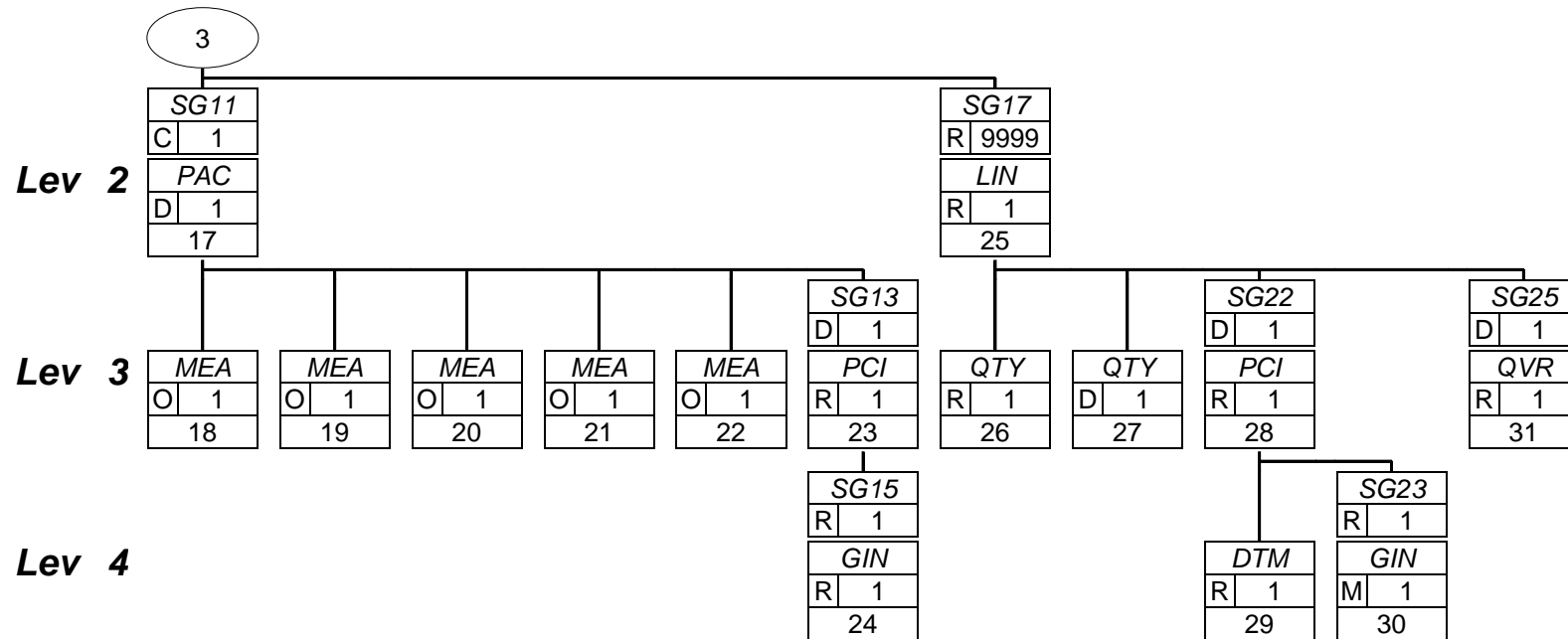
Branching diagram



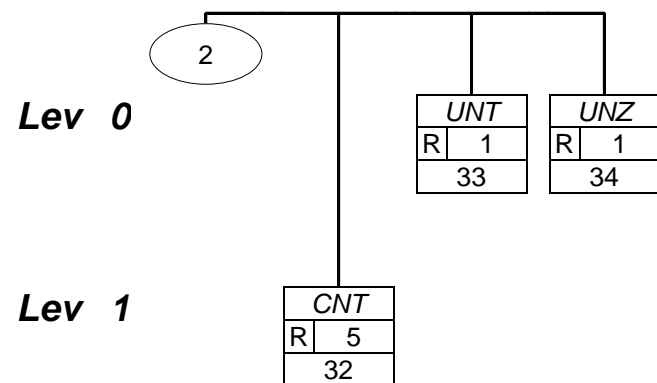
Branching diagram



Branching diagram



Branching diagram



Segments Layout

Segment

UNANo.: 1
Status RLevel: 0
Max. occ.: 1

Description Service string advice

Description	Manor	Example	Remarks
UNA1 Component data element separator	R an1	:	Used as a separator between component data elements contained within a composite data element (value: ":").
UNA2 Data element separator	R an1	+	Used to separate two simple or composite data elements (value: "+").
UNA3 Decimal mark	R an1	.	Used to indicate the character used for decimal notation (value: ".").
UNA4 Release character	R an1	?	Used to restore any service character to its original specification (value: "?").
UNA5 Repetition separator	R an1	'	Used to indicate the character used for repetition separation (value: " ' ").
UNA6 Segment terminator	R an1	'	Used to indicate the end of segment data (value: " ' ").

This segment is used to inform the receiver of the interchange about the set of service characters (and decimal mark) which are being used. It must immediately precede the UNB segment and contains the five service characters (positions UNA1, UNA2, UNA3, UNA4, UNA5 and UNA6) selected by the interchange sender. When expressing the service characters in the UNA segment, it is not necessary to include any element separators. Within EANCOM®, using the default set of Service characters, the use of the UNA segment is not required.

Example:

UNA:+.? '

Segments Layout

Segment **UNB** No.: 2 Level: 0
 Status R Max. occ.: 1

Description Interchange header

Description	Manor	Example	Remarks
S001 Syntax identifier	R		
0001 Syntax identifier	R a4	+UNOC	UNOC UN/ECE level C As defined in ISO 8859-1 : Information processing - Part 1: Latin alphabet No. 1.
0002 Syntax version number	R an1	:3	
S002 Interchange sender	R		
0004 Interchange sender identification	R an..35	+7600123459872	
0007 Identification code qualifier	R an..4	:14	14 GS1 Partner identification code assigned by GS1. ZZ Mutually defined
0008 Interchange sender internal identification	O an..35	:7600123456789	
S003 Interchange recipient	R		
0010 Interchange recipient identification	R an..35	+7612096000005	Manor GLN 7612096000005 = productive GLN 7612096000487 = test GLN
0007 Identification code qualifier	R an..4	:14	14 GS1 Partner identification code assigned by GS1.
S004 Date and time of preparation	R		
0017 Date	R n8	+20200305	
0019 Time	R n4	:1114	hhmm
0020 Interchange control reference	R an..14	+123456	Interchange reference
S005 Recipient reference/ password details	N		
0022 Recipient reference/ password	N an..14	+	
0026 Application reference	N an..14	+	
0029 Processing priority code	N a1	+	
0031 Acknowledgement request	N n1	+	
0032 Interchange agreement identifier	N an..35	+	
0035 Test indicator	D n1	+1'	

Example:

UNB+UNOC:3+7600123459872:14:7600123456789+7612096000005:14+20200305:1114+123456++++++1'
 - rerouting GLN included
 UNB+UNOC:3+7600123456789:14+7612096000005:14+20200305:1114+123456++++++1' - without
 rerouting GLN

Segments Layout

Segment

UNH

No.: 3
Status R

Level: 0
Max. occ.: 1

Description Message header

Description	Manor	Example	Remarks
0062 Message reference number	M an..14	+ME000001	Senders unique message reference.
S009 Message identifier	R		
0065 Message type	R an..6	+DESADV	DESADV Despatch advice message
0052 Message version number	R an..3	:D	D Draft version/UN/EDIFACT Directory
0054 Message release number	R an..3	:01B	01B Release 2001 - B
0051 Controlling agency, coded	R an..3	:UN	UN UN/CEFACT
0057 Association assigned code	R an..6	:EAN007'	EAN007 EAN version control number (EAN Code)

Example:

UNH+ME000001+DESADV:D:01B:UN:EAN007'

Segments Layout

Segment

BGMNo.: 4
Status RLevel: 0
Max. occ.: 1

Description Beginning of message

Description	Manor	Example	Remarks
C002 Document/message name	R		
1001 Document name code	R an..3	+351	351 Despatch advice Document/message by means of which the seller or consignor informs the consignee about the despatch of goods.
C106 Document/message identification	R		
1004 Document identifier	R an..35	+DES587441	document number
1225 Message function code	R an..3	+9'	9 Original Initial transmission related to a given transaction.

Example:

BGM+351+DES587441+9'

Segments Layout

Segment

DTM

No.: 5 Level: 1
 Status R Max. occ.: 1

Description Date/time/period

Description	Manor	Example	Remarks
C507 Date/time/period	R		
2005 Date or time or period function code qualifier	R an..3	+137	137 Document/message date/time (2006) Date/time when a document/ message is issued. This may include authentication.
2380 Date or time or period value	R an..35	:20200305110500	
2379 Date or time or period format code	R an..3	:204'	204 CCYYMMDDHHMMSS 203 CCYYMMDDHHMM

Example:

DTM+137:20200305110500:204'

Segments Layout

Segment

DTM

No.: 6
Status R

Level: 1
Max. occ.: 1

Description Date/time/period

Description	Manor	Example	Remarks
C507 Date/time/period	R		
2005 Date or time or period function code qualifier	R an..3	+2	2 Delivery date/time, requested Date on which buyer requests goods to be delivered. 17 Delivery date/time, estimated Date and/or time when the shipper of the goods expects delivery will take place. Please send only one of them.
2380 Date or time or period value	R an..35	:20200306113000	
2379 Date or time or period format code	R an..3	:204'	204 CCYYMMDDHHMMSS 203 CCYYMMDDHHMM

Example:

DTM+2:20200306113000:204'

Segments Layout

Group **SG1** Status D Max. occ.: 1 RFF+ON

Segment **RFF** No.: 7 Level: 1
Status R Max. occ.: 1

Description Reference

Description	Manor	Example	Remarks
C506 Reference	R		
1153 Reference code qualifier	R an..3	+ON	ON Order number (buyer) [1022] Reference number assigned by the buyer to an order.
1154 Reference identifier	R an..70	:P004744562- RAPS-RY 74 SL'	Manor order number must be sent back identical to that in the ORDERS

Segment Notes

Required for DESADV from Manor ORDERS

Example:

RFF+ON:P004744562-RAPS-RY 74 SL'

Segments Layout

Group **SG1** Status D Max. occ.: 1 RFF+ON

Segment **DTM** No.: 8 Level: 2
Status C Max. occ.: 1

Description Date/time/period

Description	Manor	Example	Remarks
C507 Date/time/period	R		
2005 Date or time or period function code qualifier	R an..3	+171	171 Reference date/time Date/time on which the reference was issued.
2380 Date or time or period value	R an..35	:20200304000000	
2379 Date or time or period format code	R an..3	:204'	204 CCYYMMDDHHMMSS 203 CCYYMMDDHHMM 102 CCYYMMDD

Example:

DTM+171:20060116141530:204'

Segments Layout

Group **SG1** Status D Max. occ.: 1 RFF+VN

Segment **RFF** No.: 9 Level: 1
Status R Max. occ.: 1

Description Reference

Description	Manor	Example	Remarks
C506 Reference	M		VN Order number (supplier) Reference number assigned by supplier to a buyer's purchase order.
1153 Reference code qualifier	R an..3	+VN	
1154 Reference identifier	R an..70	:ABC-12332'	

Segment Notes

Required for DESADV from VMI-orders

Example:

RFF+VN:ABC-12332'

Segments Layout

Group **SG1** Status D Max. occ.: 1 RFF+VN

Segment **DTM** No.: 10 Level: 2
Status C Max. occ.: 1

Description Date/time/period

Description	Manor	Example	Remarks
C507 Date/time/period	R		
2005 Date or time or period function code qualifier	R an..3	+171	171 Reference date/time Date/time on which the reference was issued.
2380 Date or time or period value	R an..35	:20200304000000	
2379 Date or time or period format code	R an..3	:204'	204 CCYYMMDDHHMMSS 203 CCYYMMDDHHMM 102 CCYYMMDD

Example:

DTM+171:20200304000000:204'

Segments Layout

Group **SG2** Status R Max. occ.: 1 NAD+BY

Segment **NAD** No.: 11 Level: 1
Status R Max. occ.: 1

Description Name and address

Description	Manor	Example	Remarks
3035 Party function code qualifier	M an..3	+BY	BY Buyer Party to whom merchandise and/or service is sold.
C082 Party identification details	R		
3039 Party identifier	R an..35	+7612096832118	GLN - Format n13
1131 Code list identification code	N an..17	:	
3055 Code list responsible agency code	R an..3	:9'	9 EAN (International Article Numbering association)

Segment Notes

The same GLN as in Manor ORDERS or Supplier VMI- orders must be used

Example:

NAD+BY+7612096832118::9'

Segments Layout

Group **SG2** Status R Max. occ.: 1 NAD+SU

Segment **NAD** No.: 12 Level: 1
Status R Max. occ.: 1

Description Name and address

Description	Manor	Example	Remarks
3035 Party function code qualifier	R an..3	+SU	SU Supplier Party who supplies goods and/or services.
C082 Party identification details	R		
3039 Party identifier	R an..35	+7600123456789	GLN - Format n13
1131 Code list identification code	N an..17	:	
3055 Code list responsible agency code	R an..3	:9'	9 EAN (International Article Numbering association)

Segment Notes

The same GLN as in Manor ORDERS or Supplier VMI- orders must be used

Example:

NAD+SU+7600123456789::9'

Segments Layout

Group **SG2** Status R Max. occ.: 1 NAD+DP

Segment **NAD** No.: 13 Level: 1
Status R Max. occ.: 1

Description Name and address

Description	Manor	Example	Remarks
3035 Party function code qualifier	R an..3	+DP	DP Delivery party (3144) Party to which goods should be delivered, if not identical with consignee.
C082 Party identification details	A		
3039 Party identifier	R an..35	+7612096835676	GLN - Format n13
1131 Code list identification code	N an..17	:	
3055 Code list responsible agency code	R an..3	:9'	9 EAN (International Article Numbering association)

Segment Notes

The same GLN as in Manor ORDERS or Supplier VMI- orders must be used

Example:

NAD+DP+7612096835676::9'

Segments Layout

Group **SG2** Status D Max. occ.: 1 NAD+UC

Segment **NAD** No.: 14 Level: 1
Status R Max. occ.: 1

Description Name and address

Description	Manor	Example	Remarks
3035 Party function code qualifier	R an..3	+UC	UC Ultimate consignee
C082 Party identification details	R		
3039 Party identifier	R an..35	+7612096836284	GLN - Format n13
1131 Code list identification code	N an..17	:	
3055 Code list responsible agency code	R an..3	:9'	9 EAN (International Article Numbering association)

Segment Notes

Required for a reply to a transit shipment (YA1) or cross-docking1 (50E) order
The same GLN as in Manor ORDERS or Supplier VMI- orders must be used

Example:

NAD+UC+7612096836284::9'

Segments Layout

Group **SG6** Status O Max. occ.: 10 TDT

Segment **TDT** No.: 15 Level: 1
Status R Max. occ.: 1

Description Details of transport

Description	Manor	Example	Remarks
8051 Transport stage code qualifier	R an..3	+20	20 Main-carriage transport
8028 Means of transport journey identifier	N an..17	+	
C220 Mode of transport	R		
8067 Transport mode name code	R an..3	+10	10 Maritime transport This code should be used whenever the transport vehicle completes any part of ist journey by sea. 20 Rail transport 30 Road transport 40 Air transport 50 Mail (Actual mode of transport unknown) - This code is provided for practical reasons, despite the fact that mail is not a genuine mode of transport. In many countries, the value of merchandise exported by mail is considerable, but the exporter or importer concerned would be unable to state by which mode postal items had passed the national border. 60 Multimodal transport This code is used when goods are carried to their destination by at least two different modes on the basis of one transport contract. (Local pick-up and delivery of goods out in the performance of a unimodal transport contract shall not be considered as multimodal transport.) 100 Courier service (GS1 Temporary Code) A courier service used to collect and deliver a consignment to its destination.
C228 Transport means	C		
8179 Transport means description code	C an..8	+	
C040 Carrier	O		
3127 Carrier identifier	O an..17	+7612556000223	GLN - Format n13 GLN of Carrier/Forwarding agent
1131 Code list identification code	N an..17	:	
3055 Code list responsible agency code	D an..3	:9'	9 EAN (International Article Numbering association)

Example:

TDT+20++10'

TDT+20++10++7612556000223::9'

Segments Layout

Group **SG10** Status R Max. occ.: 9999 CPS-SG11-SG17

Segment **CPS** No.: 16 Level: 1
 Status R Max. occ.: 1

Description Consignment packing sequence

Description	Manor	Example	Remarks
7164 Hierarchical structure level identifier	R an..35	+2	Sequential numbering recommended.
7166 Hierarchical structure parent identifier	D an..35	+1'	Identification number of the next higher hierarchical data segment in a hierarchical structure.

Example:

- CPS+1' - for despatch level (required)
- CPS+2+1' - for first transport unit level
- CPS+3+2' - for second transport unit level

Segments Layout

Group **SG10** Status R Max. occ.: 9999 CPS-SG11-SG17

Group **SG11** Status C Max. occ.: 1 R

Segment **PAC** No.: 17 Level: 2
Status D Max. occ.: 1

Description Package

Description	Manor	Example	Remarks
7224 Package quantity	R n..8	+1	must be greater than 0 Type 08 Oneway pallet (EAN Code) 09 Returnable pallet (EAN Code) 201 Pallet ISO 1 - 1/1 EURO Pallet (EAN Code) CT Carton SL Slipsheet BX Box PK Package All codes of codeliste 7065 may be used
C531 Packaging details	C		
7075 Packaging level code	C an..3	+	
C202 Package type	O		
7065 Package type description code	A an..17	+08'	

Example:
PAC+10++BX'

Segments Layout

Group **SG10** Status R Max. occ.: 9999 CPS-SG11-SG17

Group **SG11** Status C Max. occ.: 1 R

Segment **MEA** No.: 18 Level: 3
Status O Max. occ.: 1

Description Measurements

Description	Manor	Example	Remarks
6311 Measurement purpose code qualifier	R an..3	+PD	PD Physical dimensions (product ordered) Specified measurement dimensions refer to physical dimensions of a product, material or package.
C502 Measurement details	R		
6313 Measured attribute code	R an..3	+AAD	AAD Total gross weight [6292] Weight (mass) of goods including packing but excluding the carrier's equipment.
C174 Value/range	R		
6411 Measurement unit code	R an..3	+CMT	KGM kilogram
6314 Measurement value	R an..18	:12'	

Example:

MEA+PD+AAD+KGM:12'

Segments Layout

Group **SG10** Status R Max. occ.: 9999 CPS-SG11-SG17

Group **SG11** Status C Max. occ.: 1 R

Segment **MEA** No.: 19 Level: 3
Status O Max. occ.: 1

Description Measurements

Description	Manor	Example	Remarks
6311 Measurement purpose code qualifier	R an..3	+PD	PD Physical dimensions (product ordered) Specified measurement dimensions refer to physical dimensions of a product, material or package.
C502 Measurement details	R		
6313 Measured attribute code	R an..3	+ABJ	ABJ Volume The amount of air space taken up by the entity identified in the 6311 qualifier.
C174 Value/range	R		
6411 Measurement unit code	R an..3	+MTK	MTK square metre
6314 Measurement value	R an..18	:1.5'	

Example:

MEA+PD+ABJ+MTK:1.5'

Segments Layout

Group **SG10** Status R Max. occ.: 9999 CPS-SG11-SG17

Group **SG11** Status C Max. occ.: 1 R

Segment **MEA** No.: 20 Level: 3
Status O Max. occ.: 1

Description Measurements

Description	Manor	Example	Remarks
6311 Measurement purpose code qualifier	R an..3	+PD	PD Physical dimensions (product ordered) Specified measurement dimensions refer to physical dimensions of a product, material or package.
C502 Measurement details	R		
6313 Measured attribute code	R an..3	+HT	HT Height dimension Numeric value of height.
C174 Value/range	R		
6411 Measurement unit code	R an..3	+CMT	CMT centimetre
6314 Measurement value	R an..18	:100'	

Example:

MEA+PD+HT+CMT:100'

Segments Layout

Group	SG10	Status R	Max. occ.: 9999	CPS-SG11-SG17
Group	SG11	Status C	Max. occ.: 1	R
Segment	MEA	No.: 21 Status O	Level: 3 Max. occ.: 1	

Description Measurements

Description	Manor	Example	Remarks
6311 Measurement purpose code qualifier	R an..3	+PD	PD Physical dimensions (product ordered) Specified measurement dimensions refer to physical dimensions of a product, material or package.
C502 Measurement details	R		
6313 Measured attribute code	R an..3	+LN	LN Length dimension (6168) Length of pieces or packages stated for transport purposes.
C174 Value/range	R		
6411 Measurement unit code	R an..3	+CMT	CMT centimetre
6314 Measurement value	R an..18	:100'	

Example:

MEA+PD+LN+CMT:100'

Segments Layout

Group	SG10	Status R	Max. occ.: 9999	CPS-SG11-SG17
Group	SG11	Status C	Max. occ.: 1	R
Segment	MEA	No.: 22 Status O	Level: 3 Max. occ.: 1	

Description Measurements

Description	Manor	Example	Remarks
6311 Measurement purpose code qualifier	R an..3	+PD	PD Physical dimensions (product ordered) Specified measurement dimensions refer to physical dimensions of a product, material or package.
C502 Measurement details	R		
6313 Measured attribute code	R an..3	+WD	WD Width dimension Numeric value of width.
C174 Value/range	R		
6411 Measurement unit code	R an..3	+CMT	CMT centimetre KGM kilogram MTK square metre
6314 Measurement value	R an..18	:150'	

Example:
MEA+PD+WD+CMT:150'

Segments Layout

Group	SG10	Status R	Max. occ.: 9999	CPS-SG11-SG17
Group	SG11	Status C	Max. occ.: 1	R
Group	SG13	Status D	Max. occ.: 1	PCI-SG15
Segment	PCI	No.: 23 Status R	Level: 3 Max. occ.: 1	

Description Package identification

Description	Manor	Example	Remarks
4233 Marking instructions code	R an..3	+33E'	33E Marked with serial shipping container code (EAN Code)

This segment is used to provide markings and labels information relevant to the packaging unit and level identified in the PAC segment.

Example:

PCI+33E'

Segments Layout

Group	SG10	Status R	Max. occ.: 9999	CPS-SG11-SG17
Group	SG11	Status C	Max. occ.: 1	R
Group	SG13	Status D	Max. occ.: 1	PCI-SG15
Group	SG15	Status R	Max. occ.: 1	GIN
Segment	GIN	No.: 24 Status R	Level: 4 Max. occ.: 1	

Description Goods identity number

Description	Manor	Example	Remarks
7405 Object identification code qualifier	R an..3	+BJ	BJ Serial shipping container code In EANCOM it is recommended to use the Serial Shipping Container Code (SSCC) for unique identification of individual transport packages.
C208 Identity number range 7402 Object identifier	R R an..35	+376000001234567891'	GS1 SSCC with 18 characters

SSCC Structure

The SSCC must be unique about all delivery notes and packaging.

Position 1 = Extension digit is used to increase the capacity of the Serial Reference within the SSCC. It is assigned by the company that constructs the SSCC. At Manor the range 1 - 8 is permitted.

Position 2 to 8 = GS1 Company Prefix is a globally unique number assigned to a GS1 member company.

Position 10 to 17 = Serial Reference is the "serial" part of the number assigned one-by-one by the member company to create a globally unique SSCC.

Position 18 = Check Digit is a modulo-10 number calculated across the preceding digits to ensure data integrity.

This segment is used to provide identification numbers relevant to the packaging unit and level identified in the PAC segment.

Example:

GIN+BJ+376000001234567891'

Segments Layout

Group **SG10** Status R Max. occ.: 9999 CPS-SG11-SG17

Group **SG17** Status R Max. occ.: 9999 LIN-QTY-SG22-SG25

Segment **LIN** No.: 25 Level: 2
Status R Max. occ.: 1

Description Line item

Description	Manor	Example	Remarks
1082 Line item identifier	R an..6	+1	
1229 Action request/notification description code	N an..3	+	
C212 Item number identification	R		
7140 Item identifier	R an..35	+7612345000206	GTIN: EAN-8, UPC-A or EAN-13 The number must be the same as the number used in the Manor ORDERS
7143 Item type identification code	R an..3	:SRV'	SRV GS1 Global Trade Item Number A unique number, up to 14-digits, assigned according to the numbering structure of the GS1 system. 'GS1' stands for the 'Global Standards One'.

Example:

LIN+1++7612345000206:SRV'

Segments Layout

Group **SG10** Status R Max. occ.: 9999 CPS-SG11-SG17

Group **SG17** Status R Max. occ.: 9999 LIN-QTY-SG22-SG25

Segment **QTY** No.: 26 Level: 3
Status R Max. occ.: 1

Description Quantity

Description	Manor	Example	Remarks
C186 Quantity details	R		
6063 Quantity type code qualifier	R an..3	+12	12 Despatch quantity Quantity despatched by the seller.
6060 Quantity	R an..35	:100	
6411 Measurement unit code	D an..3	:PCE'	PCE Piece (GS1 Temporary Code) CMT centimetre KGM kilogram LTR litre (1 dm3) MTR metre MTK square metre CT carton This DE is only used if the product being identified is of variable quantity. If no measurement unit was sent, the measurement unit is regarded as piece.

Important

No decimal places are allowed to be sent here.

Example:

QTY+12:12' - Despatch quantity in piece

Segments Layout

Group **SG10** Status R Max. occ.: 9999 CPS-SG11-SG17

Group **SG17** Status R Max. occ.: 9999 LIN-QTY-SG22-SG25

Segment **QTY** No.: 27 Level: 3
Status D Max. occ.: 1

Description Quantity

Description	Manor	Example	Remarks
C186 Quantity details	R		
6063 Quantity type code qualifier	R an..3	+47	47 Invoiced quantity The quantity as per invoice.
6060 Quantity	R an..35	:115	
6411 Measurement unit code	D an..3	:KGM'	PCE Piece (GS1 Temporary Code) CMT centimetre KGM kilogram LTR litre (1 dm3) MTR metre MTK square metre CT carton This DE is only used if the product being identified is of variable quantity. If no measurement unit was sent, the measurement unit is regarded as piece.

Important

Please send here the invoiced quantity including decimal places if the invoiced quantity differs from the delivered quantity and the quantity is greater than 0.

Example:

QTY+47:1.5:KGM' - Invoiced quantity for Food

Segments Layout

Group	SG10	Status R	Max. occ.: 9999	CPS-SG11-SG17
Group	SG17	Status R	Max. occ.: 9999	LIN-QTY-SG22-SG25
Group	SG22	Status D	Max. occ.: 1	PCI-DTM-SG23
Segment	PCI	No.: 28 Status R	Level: 3 Max. occ.: 1	

Description Package identification

Description	Manor	Example	Remarks
4233 Marking instructions code	O an..3	+36E'	36E Marked with batch number (GS1 Temporary Code)

Example:
PCI+36E'

Segments Layout

Group	SG10	Status R	Max. occ.: 9999	CPS-SG11-SG17
Group	SG17	Status R	Max. occ.: 9999	LIN-QTY-SG22-SG25
Group	SG22	Status D	Max. occ.: 1	PCI-DTM-SG23
Segment	DTM	No.: 29 Status R	Level: 4 Max. occ.: 1	

Description Date/time/period

Description	Manor	Example	Remarks
C507 Date/time/period	R		
2005 Date or time or period function code qualifier	R an..3	+361	361 Best before date The best before date.
2380 Date or time or period value	R an..35	:20200325000000	
2379 Date or time or period format code	R an..3	:204'	204 CCYYMMDDHHMMSS 102 CCYYMMDD

Example:

DTM+361:20200325000000:204'

Segments Layout

Group	SG10	Status R	Max. occ.: 9999	CPS-SG11-SG17
Group	SG17	Status R	Max. occ.: 9999	LIN-QTY-SG22-SG25
Group	SG22	Status D	Max. occ.: 1	PCI-DTM-SG23
Group	SG23	Status R	Max. occ.: 1	GIN
Segment	GIN	No.: 30 Status M	Level: 4 Max. occ.: 1	

Description Goods identity number

Description	Manor	Example	Remarks
7405 Object identification code qualifier	R an..3	+BX	BX Batch number Unique number affixed by manufacturer to a batch of products produced under similar conditions. Items with different batch, must not occur on the same SSCC.
C208 Identity number range 7402 Object identifier	R R an..35	+AA200305123'	

Example:

GIN+BX+AA200305123'

Segments Layout

Group	SG10	Status R	Max. occ.: 9999	CPS-SG11-SG17
Group	SG17	Status R	Max. occ.: 9999	LIN-QTY-SG22-SG25
Group	SG25	Status D	Max. occ.: 1	QVR
Segment	QVR	No.: 31 Status R	Level: 3 Max. occ.: 1	

Description Quantity variances

Description	Manor	Example	Remarks
C279 Quantity difference information	R		
6064 Quantity variance value	R n..15	+50	Specify the actual variance amount here.
6063 Quantity type code qualifier	R an..3	:21	21 Ordered quantity The quantity which has been ordered.
4221 Discrepancy nature identification code	R an..3	+BP'	BP Shipment partial - back order to follow A portion of the previous order is being held as open, as enough material was not available to fulfil the requirement. CP Shipment partial - considered complete, no backorder The quantity shipped is less than the amount authorized and there is no plan to ship the remaining amount.

Segment Notes

This segment is used to specify any variances between what was ordered and what is ready for or has been despatched.

The quantity identified in DE 6064 must always refer to the difference between the despatched quantity identified in DE 6060 of QTY at LIN level and the ordered quantity. For negative values (e.g. damaged goods not accepted) the variance must be expressed as negative.

Example:

QVR+-50:21+CP' - under delivery

The QTY at line level identified the fact that 450 units were ordered and that 400 were being despatched, so therefore the quantity variance is -50 units.

QVR+3:21+CP' - over delivery

The QTY at line level identified the fact that 450 units were ordered and that 453 were being despatched, so therefore the quantity variance is 3 units.

If an ordered article in the DESADV has been distributed over several packages (SSCC), the QVR segment must be sent with the last package, only in case of a total quantity deviation.

Segments Layout

Segment **CNT**
 No.: 32 Level: 1
 Status R Max. occ.: 5

Description Control total

Description	Manor	Example	Remarks
C270 Control	R		
6069 Control total type code qualifier	R an..3	+2	2 Number of line items in message
6066 Control total value	R n..18	:1'	

Example:
 CNT+2:1'

Segments Layout

Segment

UNTNo.: 33
Status RLevel: 0
Max. occ.: 1

Description Message trailer

Description	Manor	Example	Remarks
0074 Number of segments in a message	R n..10	+39	The total number of segments in the message is detailed here.
0062 Message reference number	R an..14	+ME000001'	The message reference detailed here should equal the one specified in the UNH segment.

This segment is a mandatory UN/EDIFACT segment. It must always be the last segment in the message.

Example:

UNT+39+ME000001'

Segments Layout

Segment

UNZ

No.: 34
Status R

Level: 0
Max. occ.: 1

Description Interchange trailer

Description	Manor	Example	Remarks
0036 Interchange control count	R n..6	+1	The total number of messages in the interchange is detailed here.
0020 Interchange control reference	R an..14	+123456'	The interchange reference detailed here should equal the one specified in the UNB segment.

Example:

UNZ+1+123456'

Example

DESADV with SSCC and 1 Logistic Level Food

UNA:+.? '
 UNB+UNOC:3+7600123459872:14:7600123456789+7612096000005:14+20200305:1114+123456'
 UNH+ME000001+DESADV:D:01B:UN:EAN007'
 BGM+351+DES587441+9'
 DTM+137:20200305110500:204'
 DTM+2:20200306113000:204'
 RFF+ON:**P004744562-RAPS-RY 74 SL'**
 DTM+171:20200304000000:204'
 NAD+BY+7612096832118::9'
 NAD+SU+7600123456789::9'
 NAD+DP+7612096835676::9'
NAD+UC+7612096836284::9'
 TDT+20++10++7612556000223::9'
CPS+1'
 PAC+1++201'
LIN+1++7612345000008:SRV'
 QTY+12:0'
 QVR+-40:21+BP'
CPS+2+1'
 PAC+1++08'
 MEA+PD+AAD+CMT:12'
 MEA+PD+ABJ+MTK:1.5'
 MEA+PD+HT+CMT:100'
 MEA+PD+LN+CMT:100'
 MEA+PD+WD+CMT:150'
 PCI+33E'
GIN+BJ+376123451234567894'
LIN+2++7612345000206:SRV'
 QTY+12:**50'**
 QTY+47:70:KGM'
PCI+36E'
 DTM+361:202003**27**000000:204'
 GIN+BX+**BB**200305123'
CPS+3+2'
 PAC+1++08'
 MEA+PD+AAD+CMT:12'
 MEA+PD+ABJ+MTK:1.5'
 MEA+PD+HT+CMT:100'
 MEA+PD+LN+CMT:100'
 MEA+PD+WD+CMT:150'
 PCI+33E'
GIN+BJ+376123451234999547'
LIN+3++7612345000206:SRV'
 QTY+12:**150'**
 QTY+47:210:KGM'
PCI+36E'
 DTM+361:202003**24**000000:204'
 GIN+BX+**AA**200304789'
QVR+-50:21+BP'
 CNT+2:1'
 UNT+41+ME000001'
 UNZ+1+123456'

Manor order number must be sent back identical to that in the ORDERS

Required for a reply to a transit shipment (YA1) or cross-docking1 (50E) order
Initial delivery

0 Delivery quantities

1st Logistic unit

1st SSCC from the 1st logistic level
1st Articleposition with 1st Batch split from 1st SSCC

Order quantity **250**: 1st Batch split quantity **50**

2nd SSCC from the 2nd logistic level
1st Articleposition with 2nd Batch split from 2nd SSCC

Order quantity **250** 2nd Batch split quantity **150**

Quantity variance

Example

DESADV with SSCC and 2 Logistic Level NonFood

UNA:+.? '	
UNB+UNOC:3+7600123459872:14:7600123456789+7612096000005:14+20200305:1114+123456'	
UNH+ME000001+DESADV:D:01B:UN:EAN007'	
BGM+351+DES587441+9'	
DTM+137:20200305110500:204'	
DTM+2:20200306113000:204'	
RFF+ON: P004744562-RAPS-RY 74 SL'	Manor order number must be sent back identical to that in the ORDERS
DTM+171:20200304000000:204'	
NAD+BY+7612096832118::9'	
NAD+SU+7600123456789::9'	
NAD+DP+7612096835676::9'	
NAD+UC+7612096836284::9'	Required for a reply to a transit shipment (YA1) or cross-docking1 (50E) order
TDT+20++10'	Initial delivery
CPS+1'	
PAC+4++201'	
CPS+2+1'	1st Logistic unit 1st Level
PAC+1++08'	
PCI+33E'	
GIN+BJ+376123459876543214'	1st SSCC from the 1st logistic level
LIN+1++7612345000206:SRV'	1st Articleposition from SSCC
QTY+12:80'	
QVR+-50:21+BP'	
LIN+2++7612345000015:SRV'	2nd Articleposition from SSCC
QTY+12:30'	
QVR+-80:21+BP'	
CPS+3+2'	2nd Logistic unit 1st Level
PAC+1++08'	
PCI+33E'	
GIN+BJ+376123451231231231'	1st SSCC from the 1st logistic level
CPS+4+3'	3rd Logistic unit 2nd Level
PAC+1++08'	
PCI+33E'	
GIN+BJ+376123454564564564'	1st SSCC from the 2nd logistic level
LIN+3++7612345000206:SRV'	1st Articleposition from SSCC
QTY+12:30'	
QVR+-20:21+BP'	
CPS+5+3'	4th Logistic unit 2nd Level
PAC+1++08'	
PCI+33E'	
GIN+BJ+376123457897897897'	2nd SSCC from the 2nd logistic level
LIN+4++7612345000015:SRV'	1st Articleposition from SSCC
QTY+12:80'	
CNT+2:4'	
UNT+43+ME000001'	
UNZ+1+123456'	

Example

DESADV without SSCC

UNA:+.? '
UNB+UNOC:3+7600123459872:14:7600123456789+7612096000005:14+20200305:1114+123456'
UNH+ME000001+DESADV:D:01B:UN:EAN007'
BGM+351+DES587441+9'
DTM+137:20200305110500:204'
DTM+2:20200306113000:204'
RFF+ON:**P004744562-RAPS-RY 74 SL** '
DTM+171:20200304000000:204'
NAD+BY+7612096832118::9'
NAD+SU+7600123456789::9'
NAD+DP+7612096835676::9'
TDT+20++10'
CPS+1 '
LIN+1++7612345000206:SRV'
QTY+12:80'
QVR+-50:21+CP'
LIN+2++7612345000015:SRV'
QTY+12:110'
CNT+2:4'
UNT+19+ME000001'
UNZ+1+123456'

Manor order number must be sent back identical to that in the ORDERS

Initial delivery

Example

DESADV with only 0 quantities article positions

UNA:+.? '
UNB+UNOC:3+7600123459872:14:7600123456789+7612096000005:14+20200305:1114+123456'
UNH+ME000001+DESADV:D:01B:UN:EAN007'
BGM+351+DES587441+9'
DTM+137:20200305110500:204'
DTM+2:20200306113000:204'
RFF+ON:**P004744562-RAPS-RY 74 SL**'
DTM+171:20200304000000:204'
NAD+BY+7612096832118::9'
NAD+SU+7600123456789::9'
NAD+DP+7612096835676::9'
NAD+UC+7612096836284::9'
TDT+20++10'
CPS+1'
LIN+1++7612345000206:SRV'
QTY+12: 0'
QVR+-50:21+CP'
LIN+2++7612345000015:SRV'
QTY+12:0'
QVR+-80:21+BP'
LIN+3++7612345000206:SRV'
QTY+12:0'
QVR+-20:21+BP'
CNT+2:4'
UNT+24+ME000001'
UNZ+1+123456'

Manor order number must be sent back identical to that in the ORDERS

Required for a reply to a transit shipment (YA1) or cross-docking1 (50E) order Initial delivery

List of changes

Version.	Description	Segments and elements
V1.1 (#SR- 3093943)	Transport mode code Mail "50" expands	SG6 # TDT # DE_8067
V1.2 (#Call from Michael Cinicki)	corrected example "DESADV with SSCC and 1 Logistic Level Food"	SG15 # GIN # DE_7402